



TIMBERK

ЭЛЕКТРИЧЕСКИЙ КОНДИЦИОНЕР ВОЗДУХА МОБИЛЬНОГО ТИПА PORTABLE TYPE ELECTRIC AIR CONDITIONER

РУКОВОДСТВО ПО ЭКСПЛУАТАЦИИ
INSTRUCTION MANUAL

Модели/Models:

T-PAC07-P09E

T-PAC09-P09E



EAC

1.	IMPORTANT INFORMATION	3
2.	SAFEGUARDS	3
3.	APPOINTMENT OF THE DEVICE	5
4.	DEVICE DESCRIPTION	5
5.	DELIVERY SET	6
6.	SPECIFICATIONS	6
7.	DEVICE INSTALLATION	7
8.	DEVICE CONTROL	10
9.	OPERATING MODES	11
10.	MAINTENANCE	12
11.	WIRING DIAGRAMS	15
12.	TROUBLESHOOTING	15
13.	UTILIZATION RULES	16
14.	TRANSPORTATION AND STORAGE	17

Dear Customer!

We thank you for your wise choice and purchase of a portable air conditioner. It will serve you for a long time.

1. IMPORTANT INFORMATION

The appliance is designed for air cooling, dehumidifying, ventilating in domestic premises. The manufacturer reserves the right to make minor changes to the design of the product without additional notice that do not fundamentally affect its safety, performance and functionality. There may be some misprints in text and digital notations in the present manual. In case after reading of this manual you have any questions concerning work and operation of the appliance, please, refer to a shop assistant or to a specialized service center for further explanations. The device has a label with all the needed technical data and other useful information about the appliance. Use the appliance only for its intended purposes indicated in this manual

2. SAFEGUARDS

When using an electric air conditioner, a number of safety precautions must be observed. Improper operation by ignoring safety precautions can result in damage to the health of the user and other people, as well as damage to their property.

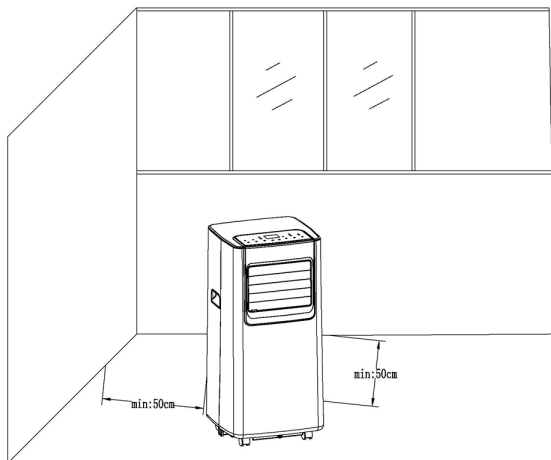
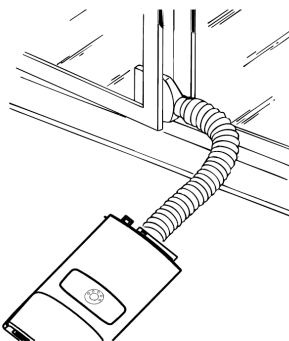
- Read these instructions carefully before using the appliance to avoid damage during use.
- Before starting up for the first time, check that the specifications on the product comply with the power supply specifications.
- Do not use outdoors or in high humidity.
- To avoid damage to the air conditioner and cancellation of your warranty, put the device in an upright position at least 2 hours before use.
- If after reading the instructions you still have questions about the operation and operation of the device, contact the seller or a specialized service center for clarification.
- On the product there is a label on which all the necessary technical data and other useful information about the device are indicated.
- Use the appliance only for the purpose specified in this manual.
- Before installing a mobile air conditioner without connecting it to the mains, check and make sure that the power outlet for the air conditioner has a ground contact and is properly grounded.
- Make sure that the power cord does not touch sharp edges or hot surfaces.
- The manufacturer reserves the right to make minor changes to the design of the product without additional notice that do not fundamentally affect its safety, performance and functionality.
- Always unplug the device before assembling, disassembling and cleaning, or if you are not using it.
- If the product was at a temperature below 0°C for some time, it must be kept at room temperature for at least 2 hours before turning it on.

- If there is no ground circuit in your electrical system, the operation of a mobile air conditioner is life threatening.
- Do not use adapters or extension cords to connect your mobile air conditioner.
- Improper installation and use of this air conditioner can result in serious injury or damage to your property.
- Any service work must be carried out by a specialized organization and qualified specialists. Do not attempt to repair the device or replace any parts by yourself. If you find a problem, contact your nearest Service Center.
- Do not block the air inlet and outlet.
- Make sure that the air inlet and outlet are free from any foreign objects.
- Do not insert objects into the air outlet grilles of the air conditioner. This is very dangerous because the fan rotates at high speed.
- Install the device on a horizontal surface to prevent condensate (water) leakage.
- Do not install the floor air conditioner in the following places:
 - in places exposed to direct sunlight;
 - near sources of open flame;
 - near other operating heating appliances;
 - in places where splashing water or steam is possible on the device;
 - in rooms with high humidity;
 - close to pools, bathrooms and showers.
- Do not use the device in explosive or corrosive environments. Do not store gasoline or other volatile flammable liquids near the air conditioner - this is very dangerous!
- Use the device to cool the air at an ambient temperature of 17-35°C.
- Clean the filters periodically to ensure effective operation of the device.
- To ensure reliable compressor operation, do not tilt the air conditioner.
- If the device is turned off, it must be switched back on no earlier than after 3.5 minutes in order to avoid compressor malfunction.
- For the compressor to work, the electrical outlet must be rated for a rated current of at least 10A. To avoid overheating and the risk of fire, as well as damage to the internal electrical network, do not plug the device into extension cords.
- Use only for domestic purposes in accordance with this instruction manual. The device is not intended for industrial use.
- If the power cord is damaged, it must be replaced by the manufacturer, customer service, or similar qualified personnel to avoid danger.
- Before disposing of the device, remove the batteries from the remote control, they must be disposed safely.
- The device is not intended for use by persons (including children) with reduced physical, sensory or mental abilities or in the absence of their life experience or knowledge, unless they are supervised or instructed on the use of the device by the person responsible for their safety. Children must be supervised to prevent playing with the appliance.
- Do not use accessories that are not supplied.
- When disconnecting the appliance from the mains, do not pull on the power cord, grasp the plug. Do not twist and do not wind it on anything.

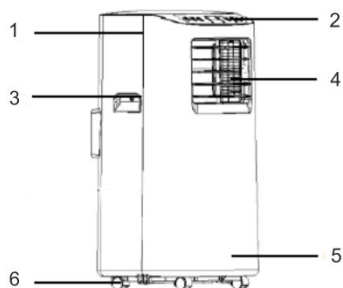
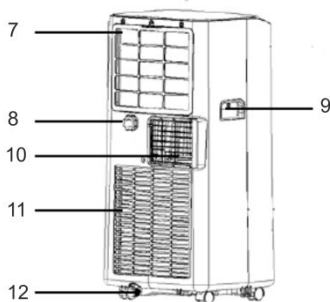
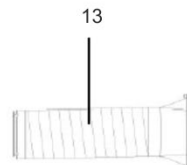
IMPORTANT

For effective cooling:

- 1) Ensure at least 50 cm of free space on the filtering side of the unit (fig. 1)
- 2) Install the device near the window. Adjust the length of the hose to reach the window. Make sure the air exhaust hose is unobstructed. Open the window or French window slightly and position the outlet (fig. 2)

**Fig. 1****Fig. 2****3. APPOINTMENT OF THE DEVICE**

Portable air conditioner is intended for cooling, dehumidifying, ventilating in domestic premises

4. DEVICE DESCRIPTION**Fig. 3****Fig. 4****Fig. 5**

The appearance of the air conditioner may differ from the images in the manual.

IM2019

1. Top cover
2. Control panel
3. Handle
4. Air outlet grille
5. Front side body
6. Rollers
7. Air filter
8. The opening for the drain hose (for automatic condensate removal)
9. Handle
10. The opening for the warm air
11. Air inlet grille
12. Drainage hole
13. Air exhaust hose

5. DELIVERY SET

1. Portable air conditioner – 1 pc.
2. Remote control – 1 pc.
3. Batteries for remote control (AAA) – 2 pc.
2. Air outlet hose – 1 pc.
3. Packing of the device – 1pc.
4. Instruction manual - 1 pc.
5. Warranty card - 1 pc.

6. SPECIFICATIONS

Technical specifications

Technical specifications of the device are indicated in table 1.

Table 1

Наименование	Ед. изм.	T-PAC07-P09E	T-PAC09-P09E
Capacity (cooling)	BTU (kW)	7000 (2050)	9000 (2400)
Rated power consumption (cooling)	W	780	900
Power supply	V/Hz	220-240~/50	220-240~/50
Rated power current (cooling)	A	3.5	3,9
Air consumption	m ³ /h	300	320
Water tank volume	l	1.1	1.1
Capacity of draining	l/d	17	21,6

Noise level	dB(A)	60	60
Refrigerant	-	R410A	R410A
Energy efficiency (cooling)	-	A	A
Coefficient of energy efficiency	-	2,61	2,73
Electrical protection class	-	Class I	Class I
Degree of protection against moisture	-	IPX0	IPX0
Filling of refrigerant	g	300	350
Operating temperature range: cooling	°C	16-31	16-31
Service area of the device	m ²	10-15	16-25
Annual energy consumption (cooling mode)	kW*h/year	390	475
Operating mode (cooling/cooling + heating)	-	cooling	cooling
Cooling type (air/water)	-	air	air
Compressor	-	Toshiba	Toshiba
Maximum operating pressure of refrigerant circuit (discharge/suction)	MPa	3.2/0.8	3.2/0.8
Net weight	kg	21	21
Gross weight	kg	23	22.5
Net dimensions	mm	688*323*334	688*323*334
Packing dimensions	mm	872*370*384	872*370*384

7. DEVICE INSTALLATION

AIR-CONDITIONING WITHOUT INSTALLATION

Just a few simple steps and your comfort ensured:

1. Install the air exhaust hose in the housing at the back of the unit (Fig. 6)
2. Install the air conditioner near a window and put the exhaust hose outside through the window (Fig. 6,7,8,9,10).
3. Adjust the length of the exhaust hose to reach the window. Make sure the air exhaust hose is unobstructed.

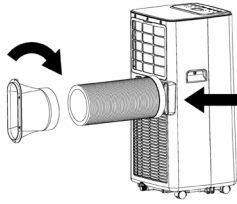


Fig. 6

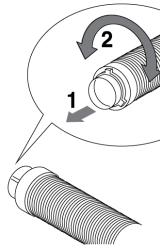


Fig. 7

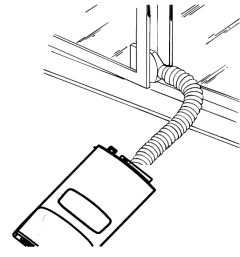


Fig. 8

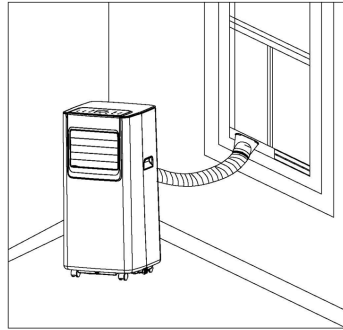
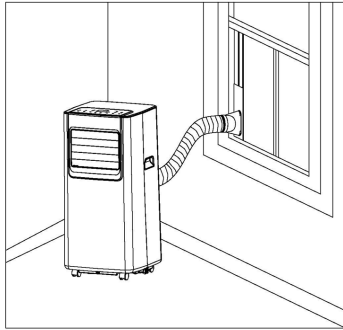


Fig. 9

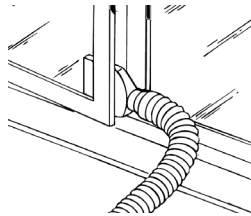


Fig. 10

If you have a sash (window):

1. Place the bracket on the windowsill
2. Extend the bracket fully within the window frame
3. Fix the bracket by using the pin
4. Lower the window into the bracket
5. Insert the window outlet of the exhaust hose into the slot
6. Connect the hose to the air conditioner (Fig. 9)

AIR-CONDITIONING WITH INSTALLATION

If required, your appliance can also be installed stationary (Fig. 11).

Proceed as follows:

1. Drill in an outside wall or in the window a 134 mm diameter hole. Keep in mind the heights shown in fig. 12.
2. Fit the flange accessory provided in the hole following the indications on figs.13,14,15.
3. Fit the hose in the housing at the back of the device (Fig. 7).
4. Fit the end of the hose to the flange as shown in fig. 12. When the hose is not fitted, the hole can be closed with the flange cap.

Keep the air hose as short and free of curves as possible to avoid bottlenecks.

When installing the air conditioner stationary, you should leave a door slightly open (as little as 1 cm) to guarantee correct ventilation.

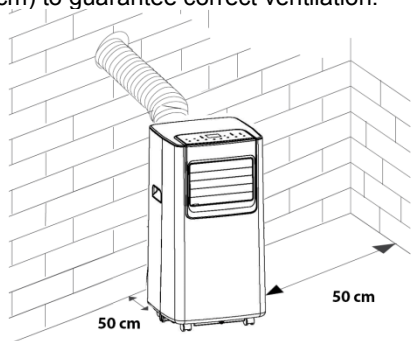


Fig. 11

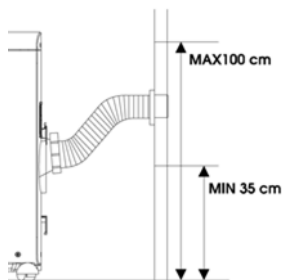


Fig. 12

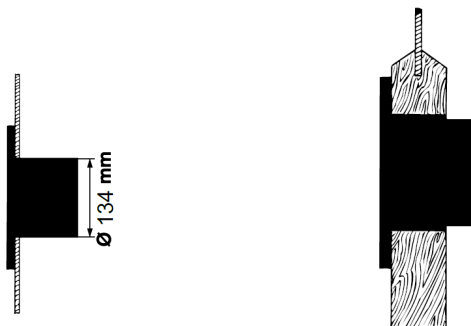


Fig. 13



Fig. 14

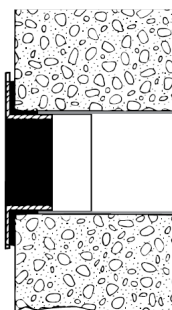
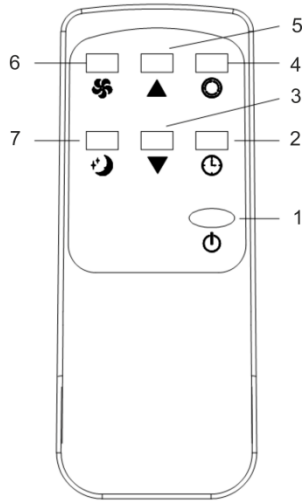









Fig. 15

8. DEVICE CONTROL

Description of remote control*



* The appearance of the remote control, as well as the buttons and indicators may differ from the image in the manual, but their functions are identical

1. **Power:**  Turns the air conditioning on / off.
2. **Timer:**  Setting the on/off time of the air conditioner by timer
3. **Down:**  Click to decrease temperature or timing set value.
4. **Mode:**  Click to switch between cooling, dehumidifying, ventilating mode.
5. **Up:**  Click to increase temperature or timing set value.
6. **Fan:**  Selecting high or low speed ventilation.
7. **Sleep Mode:**  Turns on the sleep mode.

9. OPERATING MODES

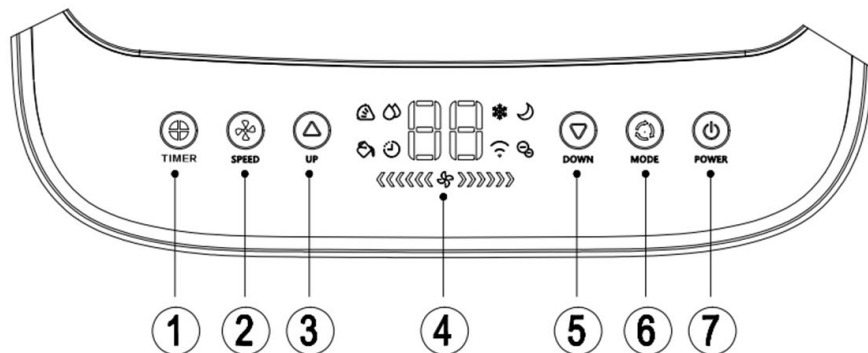


Fig. 16*

**Image is for reference only and may differ from actual control panel.*

1. “TIMER” button - in the case of power on, press the button to set the time to automatically turn off the device; in the case of power off, press the button to set the time to automatically turn on the device. Press the “TIMER” button, then, when the timing symbol flashes on the LED display, press “UP” and “DOWN” buttons to select the required timing value. Timing values can be set in 1-24 hours range. One pressing of “UP” or “DOWN” button equals 1 hour.

2. “SPEED” button - in cooling and fan mode, press the button to select HIGH, LOW wind speed operation. In dehumidifying mode, pressing the key is invalid, in this mode the fan works only in low wind speed operation.

3, 5. “UP” and “DOWN” buttons - press these buttons to change the setting temperature or setting time, operate as follows:


- While setting temperature, press “UP” or “DOWN” button to select the required temperature (not available in fan or dehumidifying mode).
- While setting time, press “UP” or “DOWN” button to select the required time.

4. LED display

6. “MODE” button - press the button to switch between **cooling** → **fan** → **dehumidifying** modes.



7. “POWER” button - press the button to turn on and turn off the device.

SLEEP mode

This mode can be enabled using the «**SLEEP**» and «» buttons

Note: It is impossible to turn on the SLEEP mode in the dehumidifying or fan modes.

COOL mode

Press «**MODE**» until the «COOL» indicator lights up. Click buttons «» or «» to select the needed room temperature. The temperature can be set in the range 16 °C–31 °C. Press the «**SPEED**» button to select the fan speed.

DRY mode

Press «**MODE**» until the «DRY» indicator lights up. In this mode, you can't select or adjust the fan speed temperature. Close windows and doors to achieve the best drying effect. Do not put the duct to window.

FAN mode

Press «**MODE**» until the «FAN» indicator lights up. Press the «**SPEED**» button to select the fan speed. You can't adjust the temperature. Do not put the duct to window.

10. MAINTENANCE**ATTENTION!**

Disconnect the unit from the mains before cleaning.

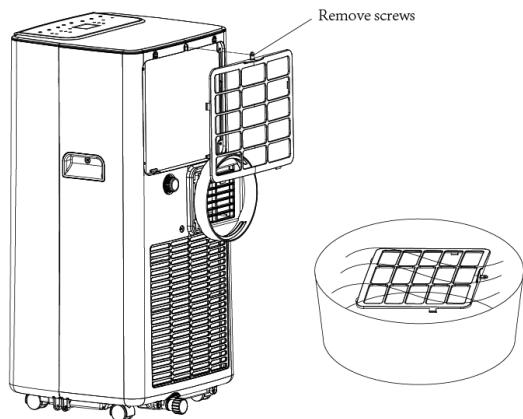
1. When cleaning the air conditioner, do not use gasoline, solvents and other chemically active substances.
2. To avoid electric shock and damage to electrical components, do not pour water on the air conditioner from a tap or a hose.
3. Do not use the air conditioner if the power cord is damaged. On the subject of replacing a damaged power cord, contact an authorized service center.

Air filter

Clogging with dust particles impairs the air conditioner operation efficiency, therefore clean the filter no less than once in two weeks.

Filter removal/installation

On the back of the housing, slide the plastic lock, unscrew the four screws and pull out the filter frame (as shown in the figure below)



Filter cleaning

To clean the filter, put it in warm water with a mild detergent (with a temperature of about 40° C), rinse it and remove any dirt. Before installing the filter in the air conditioner, it is necessary to dry it, avoiding direct sunlight.

Air intakes (heat exchangers)

Use a vacuum cleaner for cleaning

Case

Wipe the surface by a damp cloth and dry it by a soft dry cloth.

Automatic condensate removal

Condensate is automatically removed from the unit. Moisture inside the unit starts to evaporate and is removed from the unit through an air duct (or an air diffuser) in the form of steam.

Condensate removal instructions

1. When condensate is filling the tank, switch off the air conditioner and turn off the power.

Note: Move the device carefully to avoid spilling of water in the bottom of the case

2. Place the water container behind the outlet at the rear part of the device

3. Unscrew the drain cap and pull out the plug, the water will automatically flow into the water tank.

Note:

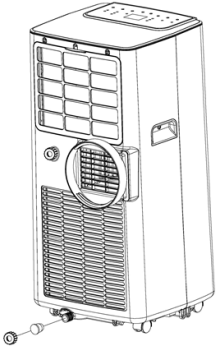
1. Hold the drain plug cover, and the water plug properly.

2. During drainage, the housing may be tilted slightly backwards.

Note: If the water container can't contain all the condensate from the air conditioner, cover the drain with a plug as soon as possible to prevent water from spilling onto the floor.

4. When the water is drained, stick water plug and tighten the drain cap.

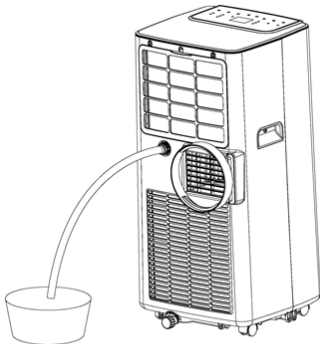
Note: Continue to operate the device only after installing the water plug and drain cap to prevent condensation from spilling onto the floor.



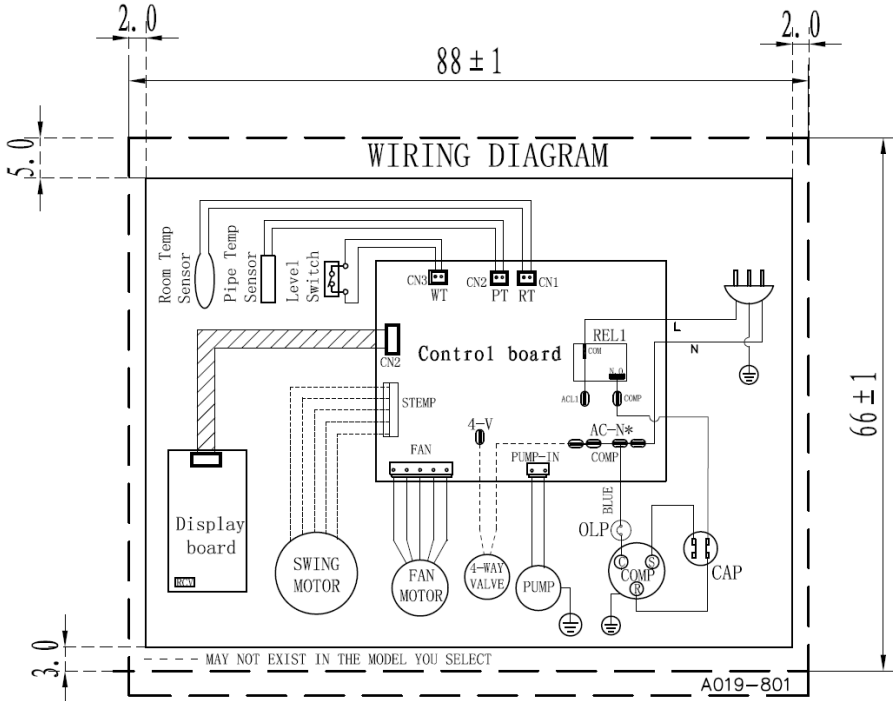
Automatic condensate removal (optional, only works in DRY mode):

1. Unscrew the drain cap and remove the water plug.
2. Install the drain hose* into the drain hole
3. Put the drain hose* in the water container

**Not supplied*



11. WIRING DIAGRAMS



12. TROUBLESHOOTING

In case of emergency, please, use the troubleshooting methods shown in table. If it is impossible to solve problems with these methods, apply to the service center.

Failures and their possible reasons:

Failure	Possible reason	Actions
The appliance does not operate	Power failure	Wait for restoration of power supply
	The remote control batteries have run out	Replace remote control batteries. <i>Do not throw batteries into common trash cans, the batteries should be disposed of in the special containers situated in the collection points.</i>
	Active TIMER-ON function	Wait until the air conditioner will turn on by timer or cancel the timer setting
	Device is filled with condensate	Darin the condensate for the device (see "Maintenance")

	Room temperature is too low or too high	Use the device in the operating temperature range specified by the manufacturer (see table of technical specifications)
Insufficient cold airflow	Incorrect temperature setting	Set the correct air temperature
	Air filter is dirty.	Clean the air filter
	Air inlet or outlet are blocked.	Remove foreign objects from inlet and outlet
	The air conditioner is not powerful enough for the room	Use the device in an area recommended by the manufacturer (see table of technical specifications)
	Strong sunlight in the room	Close the curtains
	Windows and / or doors are open	Close windows and / or doors
	Other sources of heat in the room.	Remove all heat sources from the room
Air conditioner works but does not cool the room	There is a three-minute delay on the starting of compressor	Wait a little
	Incorrect temperature setting.	Set the correct air temperature
The remote control does not work	The distance between the device and the remote control is too big.	Let the remote control get close to the air conditioner, and make sure that the remote control directly faces to the remote control receiver.
	The remote control is not directed on the remote control receiver.	
	The remote control batteries have run out	Replace remote control batteries. <i>Do not throw batteries into common trash cans, the batteries should be disposed of in the special containers situated in the collection points.</i>

13. UTILIZATION RULES



After the lifetime of the device expires, it should be recycled in compliance with the laws, rules and methods in region of recycling. Detailed information about the recycling of the device, you can receive from a representative of the local authorities, after providing full information about the device. The manufacturer and authorized organization of the manufacturer do not carry responsibility for the fulfillment by the Buyer of the requirements of legislation on utilization and methods of utilization of the device selected by the Buyer. The lifetime of the device is indicated in the warranty card. Warranty period for the device and warranty terms are specified in the warranty card. The warranty card is an integral part of the documentation supplied with this unit.

If there is no warranty card in the delivery set, ask for it from the Seller. The warranty card provided by the Seller must conform to the manufacturer's form.

The manufacturer and the authorized organization of the manufacturer remove responsibility for any possible harm which can be caused to people, animals or property directly or indirectly, if this harm occurred as a result of noncompliance with the rules and operating conditions, installation of the device, intentional or reckless actions of the user- and / or third parties, as well as in situations caused by natural and / or anthropogenic accidents.

14. TRANSPORTATION AND STORAGE

1. During transportation, any possible impacts and movements of the package inside the vehicle should be excluded.
2. Transporting and storage should be provided in strict accordance to the manipulation marks.
3. Outdoor unit should be transported vertical.

Temperature Requirements*	Transportation and storage	From -30°C up to +50°C
Humidity Requirements*		From 15% up to 85% (without a condensate)

We are exploring new technologies and we constantly improving the quality of our products. That's why specifications, design and accessories are subject to change without any specific notice.

** This product must have storage in dry, well-ventilated space of warehouse at the temperature not lower than +5°C*

ОГЛАВЛЕНИЕ

1. ВАЖНАЯ ИНФОРМАЦИЯ.....	18
2. МЕРЫ ПРЕДОСТОРОЖНОСТИ.....	19
3. НАЗНАЧЕНИЕ ПРИБОРА.....	21
4. ОПИСАНИЕ ПРИБОРА.....	21
5. КОМПЛЕКТ ПОСТАВКИ.....	22
6. РАБОЧИЕ ХАРАКТЕРИСТИКИ.....	22
7. УПРАВЛЕНИЕ ПРИБОРОМ.....	23
8. РЕЖИМЫ РАБОТЫ.....	27
9. УХОД И ОБСЛУЖИВАНИЕ.....	28
10. УСТРАНЕНИЕ НЕИСПРАВНОСТЕЙ.....	31
11. УТИЛИЗАЦИЯ, СРОК СЛУЖБЫ, ГАРАНТИЙНЫЙ СРОК.....	33
12. ТРАНСПОРТИРОВКА И ХРАНЕНИЕ.....	33

Уважаемый покупатель!

Благодарим Вас за удачный выбор и приобретение электрического мобильного кондиционера воздуха. Он прослужит Вам долго.

1. ВАЖНАЯ ИНФОРМАЦИЯ

Просим внимательно ознакомиться с руководством по эксплуатации перед использованием прибора. В данном руководстве по эксплуатации содержится важная информация, касающаяся Вашей безопасности, а также рекомендации по правильному использованию прибора и уходу за ним. Сохраните руководство по эксплуатации вместе с гарантийным талоном, кассовым чеком, по возможности, картонной коробкой и упаковочным материалом. В данном руководстве по эксплуатации описываются разные виды данного типа устройства. Производитель оставляет за собой право без дополнительного уведомления вносить незначительные изменения в конструкцию изделия, кардинально не влияющие на его безопасность, работоспособность и функциональность. Приобретенный Вами прибор может несколько отличаться от описанного в руководстве, что не влияет на способы использования и эксплуатации. В тексте и цифровых обозначениях данной инструкции могут быть допущены опечатки.

ВНИМАНИЕ!

Важные меры предосторожности и инструкции, содержащиеся в данном руководстве, не включают всех возможных режимов и ситуаций, которые могут встречаться. Изготовитель не несет ответственности в случае повреждения прибора или его отдельных частей во время транспортировки, в результате неправильной установки, в результате колебаний напряжения, а также в случае, если какая-либо часть прибора была изменена или модифицирована.

ПРИМЕЧАНИЕ

На изделии присутствует этикетка, на которой указаны все необходимые технические данные и другая полезная информация о приборе. Используйте прибор только по назначению, указанному в данном руководстве.

2. МЕРЫ ПРЕДОСТОРОЖНОСТИ

При использовании электрического кондиционера воздуха, необходимо соблюдать ряд мер предосторожности. Неправильная эксплуатация в силу игнорирования мер предосторожности может привести к причинению вреда здоровью пользователя и других людей, а также нанесению ущерба их имуществу.

- Внимательно прочитайте данную инструкцию перед эксплуатацией прибора во избежание поломок при использовании.
- Перед первоначальным включением проверьте, соответствуют ли технические характеристики, указанные на изделии параметрам электросети.
- Не использовать вне помещений или в условиях повышенной влажности.
- Во избежание повреждений кондиционера и аннулирования Вашей гарантии перед началом работы поставьте прибор в вертикальное положение минимум на 2 часа до эксплуатации.
- Если после прочтения инструкции у Вас останутся вопросы по работе и эксплуатации прибора, обратитесь к продавцу или в специализированный сервисный центр для получения разъяснений.
- На изделии присутствует этикетка, на которой указаны все необходимые технические данные и другая полезная информация о приборе.
- Используйте прибор только по назначению, указанному в данной инструкции.
- Перед установкой мобильного кондиционера, не подключая его к электросети, проверьте и убедитесь, что сетевая розетка для кондиционера имеет контакт заземления и правильно заземлена.
- Следите, чтобы шнур питания не касался острых кромок и горячих поверхностей.
- Всегда отключайте устройство от электросети перед сборкой, разборкой и очисткой, или если Вы его не используете.
- Если изделие некоторое время находилось при температуре ниже 0°C, перед включением его следует выдержать в комнатных условиях не менее 2 часов.
- При отсутствии заземляющего контура в вашей электросети эксплуатация мобильного кондиционера опасна для жизни.
- Не используйте переходники и удлинители для подключения вашего мобильного кондиционера.
- Неправильная установка и использование настоящего кондиционера может привести к серьезным травмам или ущербу для вашего имущества.
- Любые сервисные работы должны производиться специализированной организацией, квалифицированными специалистами. Не пытайтесь самостоятельно ремонтировать прибор или заменять какие-либо детали. При обнаружении неполадок обращайтесь в ближайший Сервисный центр.
- Не закрывайте вентиляционные отверстия
- Убедитесь, что входное и выходное вентиляционное отверстие свободно.
- Не засовывайте посторонние предметы в воздуховыпускные решетки кондиционера. Это очень опасно, т.к. вентилятор вращается с высокой скоростью.
- Устанавливайте устройство на горизонтальную поверхность во избежание утечки конденсата (воды).
- Не устанавливайте напольный кондиционер в следующих местах:

- в местах воздействия прямых солнечных лучей;
- вблизи источников открытого пламени;
- вблизи других работающих нагревательных приборов;
- в местах, где возможно попадание брызг воды или пара на прибор;
- в помещениях с повышенной влажностью;
- вблизи бассейнов, ванн и душевых комнат.
- Не используйте устройство во взрывоопасной или коррозионной среде. Не храните рядом с кондиционером бензин и другие летучие легковоспламеняющиеся жидкости – это очень опасно!
- Используйте устройство для охлаждения воздуха при температуре окружающей среды 17-35°C.
- Периодически очищайте фильтры для обеспечения эффективной работы устройства.
- Для обеспечения надежной работы компрессора не наклоняйте кондиционер.
- Если устройство отключено, повторное включение должно осуществляться не ранее чем через 3,5 минуты во избежание выхода из строя компрессора.
- Для работы компрессора электрическая розетка должна быть рассчитана на номинальный ток не ниже 10А. Во избежание перегрева и риска возникновения пожара, а также повреждения внутренней электрической сети, не включайте устройство в удлинители.
- Использовать только в бытовых целях согласно данному Руководству по эксплуатации. Прибор не предназначен для промышленного применения.
- При повреждении шнура питания его замену, во избежание опасности, должны производить изготовитель, сервисная служба или подобный квалифицированный персонал.
- Перед утилизацией устройства необходимо извлечь батареи из пульта управления, после чего они подлежат безопасной утилизации.
- Прибор не предназначен для использования лицами (включая детей) с пониженными физическими, сенсорными или умственными способностями или при отсутствии у них жизненного опыта или знаний, если они не находятся под присмотром или не проинструктированы об использовании прибора лицом, ответственным за их безопасность. Дети должны находиться под присмотром для недопущения игр с прибором.
- Не используйте принадлежности, не входящие в комплект поставки.
- При отключении прибора от электросети не тяните за шнур питания, беритесь за вилку. Не перекручивайте и ни на что не наматывайте его.

ПРИМЕЧАНИЕ

Для эффективного охлаждения необходимо:

- 1) Обеспечить свободное пространство не менее 50 см от воздухозаборной решетки (рисунок 1).
- 2) Устанавливайте кондиционер рядом с окном. Отрегулируйте длину воздуховода, чтобы добраться до окна. Убедитесь, что вытяжному воздуховоду нет препятствий (рисунок 2).

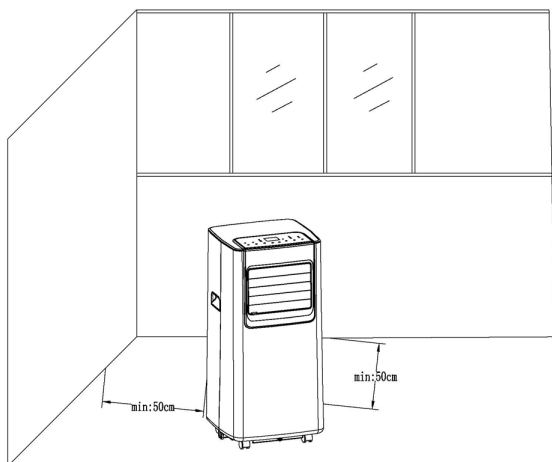


Рисунок 1

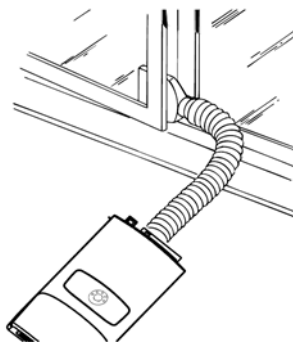


Рисунок 2

3. НАЗНАЧЕНИЕ ПРИБОРА

Электрический мобильный кондиционер воздуха, предназначен для охлаждения, вентиляции и осушения воздуха в бытовом помещении.

4. ОПИСАНИЕ ПРИБОРА

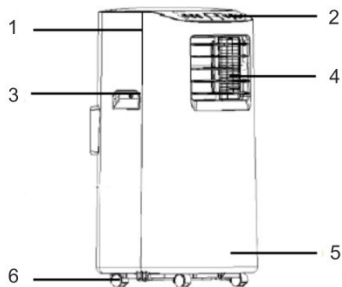


Рисунок 3

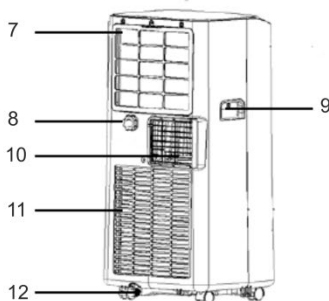


Рисунок 4

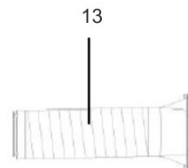


Рисунок 5

Изображение приведено в качестве справочной информации и может отличаться от реального прибора

1. Верхняя крышка
2. Панель управления
3. Ручка
4. Воздуховыпускная решетка
5. Передняя часть корпуса
6. Ролики для передвижения

7. Воздушный фильтр
8. Отверстие для дренажного шланга (для автоматического слива конденсата)
9. Ручка
10. Отверстие для выхода теплого воздуха
11. Воздухозаборная решетка
12. Дренажное отверстие
13. Воздуховод

5. КОМПЛЕКТ ПОСТАВКИ

1. Кондиционер бытовой мобильного типа - 1 шт.
2. Пульт дистанционного управления – 1 шт.
3. Элементы питания для пульта ДУ – 2 шт.
4. Воздуховыпускной шланг - 1 шт.
5. Упаковка - 1шт.
6. Руководство по эксплуатации - 1 шт.
7. Гарантийный талон - 1 шт.

Дополнительные аксессуары в комплекте зависят от поставки.

6. РАБОЧИЕ ХАРАКТЕРИСТИКИ

Технические характеристики

Технические характеристики прибора приведены в таблице 1.

Таблица 1

Наименование	Ед. изм.	T-PAC07-P09E	T-PAC09-P09E
Выходная мощность (охлаждение)	BTU (Вт)	7000 (2050)	9000 (2400)
Номинальная потребляемая мощность (охлаждение)	Вт	780	900
Параметры электропитания	В/Гц	220-240~/50	220-240~/50
Номинальная сила тока (охлаждение)	А	3.5	3,9
Расход воздуха	м ³ /ч	300	320
Объем бака	л	1.1	1.1
Производительность по осушению	л/с	17	21,6
Уровень шума	Дб(А)	60	60
Тип хладагента	-	R410A	R410A
Класс энергетической эффективности (охлаждение)	-	A	A
Индекс энергетической эффективности (охлаждение)		2,61	2,73
Класс электрозащиты	-	Class I	Class I
Степень защиты от влаги	-	IPX0	IPX0

Заправочный вес хладагента	г	300	350
Диапазон рабочих температур: охлаждение	°С	16-31	16-31
Площадь обслуживания кондиционера	м ²	10-15	16-25
Максимальное рабочее давление контура хладагента (разряжение\всасывание)	МПа	3.2/0.8	3.2/0.8
Вес нетто	кг	21	21
Вес брутто	кг	23	22,5
Размеры прибора	мм	688*323*334	688*323*334
Размеры в упаковке	мм	872*370*384	872*370*384
Потребление электроэнергии в режиме охлаждения	кВт*ч/год	390	475
Рабочий режим (охлаждение/охлаждение + нагрев)	-	Охлаждение	Охлаждение
Охлаждение (воздушное/водяное)	-	Воздушное	Воздушное
Компрессор	-	Toshiba	Toshiba

7. УСТАНОВКА ПРИБОРА

КОНДИЦИОНЕР БЕЗ УСТАНОВКИ

Всего несколько простых шагов и ваш комфорт обеспечен:

- Установите вытяжной шланг воздуха в корпусе на задней панели прибора (рисунок 1).
- Устанавливайте кондиционер рядом с окном и разместите конец шланга на выходе у окна (рисунки 6,7,8,9,10).
- Отрегулируйте длину шланга, чтобы добраться до окна. Убедитесь, что вытяжному шлангу воздуха ничего не препятствует.

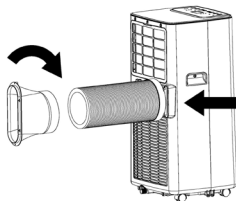


Рисунок 6

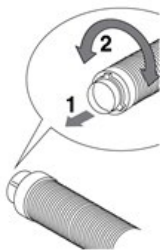


Рисунок 7

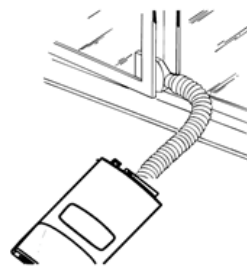


Рисунок 8

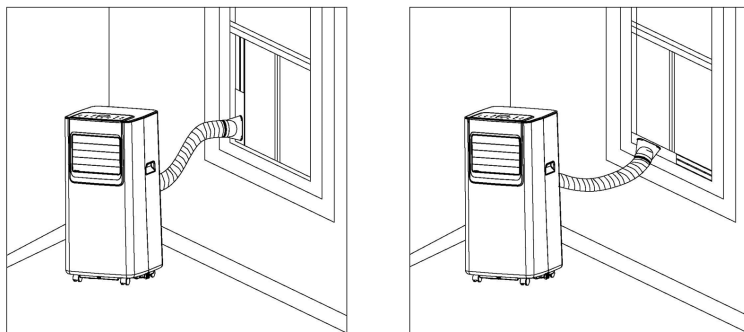


Рисунок 9

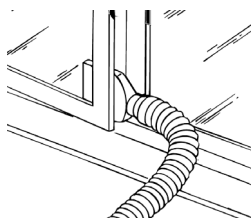


Рисунок 10

Если у вас сдвижные окна, необходимо установить крепление на подоконнике, расширить кронштейн полностью в пределах оконной рамы, закрепить кронштейн с помощью специального крепежа, затем доведите окно до кронштейна. Вставить воздухоотвод в окно, затем присоедините его к кондиционеру (рисунок 9)

КОНДИЦИОНЕР С УСТАНОВКОЙ

Есть возможность установки прибора в условно стационарном режиме (рисунок 11).

Действуйте следующим образом:

- Просверлите в наружной стене или окне отверстие диаметром в 134 мм в диаметре, как показано на рисунке 12.
- Установите фланец следуя указаниям на рисунках 13,14,15.
- Закрепите воздуховод на задней панели прибора (рисунок 7).
- Установите конец шланга фланца, как показано на рисунке 12. Когда шланг не установлен, отверстие может быть закрыто крышкой.

При установке кондиционера в условно стационарном режиме, необходимо оставить дверь слегка открытой (меньше 1 см), для обеспечения доступа воздуха в помещение.

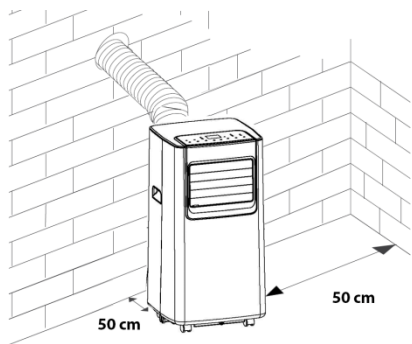


Рисунок 11

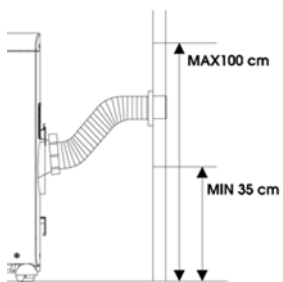


Рисунок 12

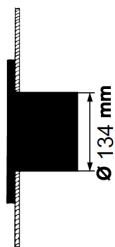


Рисунок 13



Рисунок 14

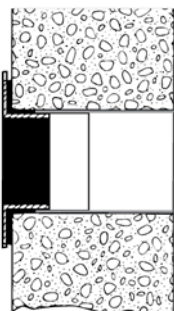
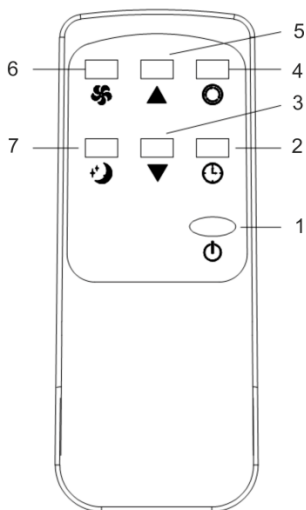


Рисунок 15

8. УПРАВЛЕНИЕ ПРИБОРОМ

Пульт дистанционного управления*



*Внешний вид пульта дистанционного управления, а также кнопки и индикаторы могут иметь отличия от изображения в инструкции, но их функции идентичны

1. **Power (питание):**  Включает/выключает кондиционер.
2. **Timer (Таймер):**  Позволяет установить время включения/отключения кондиционера по таймеру.
3. **Down (Температура ниже):**  Нажмите, чтобы уменьшить заданное значение температуры в режиме работы или времени в режиме таймера.
4. **Mode (Режим работы):**  Выбор режима работы: ОХЛАЖДЕНИЕ — ОСУШЕНИЕ — ВЕНТИЛЯЦИЯ.
5. **Up (Температура выше):**  Нажмите, чтобы увеличить заданное значение температуры в режиме работы или времени в режиме таймера.
6. **Fan (Скорость вентилятора):**  Выбор скорости вращения вентилятора: ВЫСОКАЯ - НИЗКАЯ.
7. **Sleep Mode (Ночной режим):**  Включает ночной режим.

9. РЕЖИМЫ РАБОТЫ

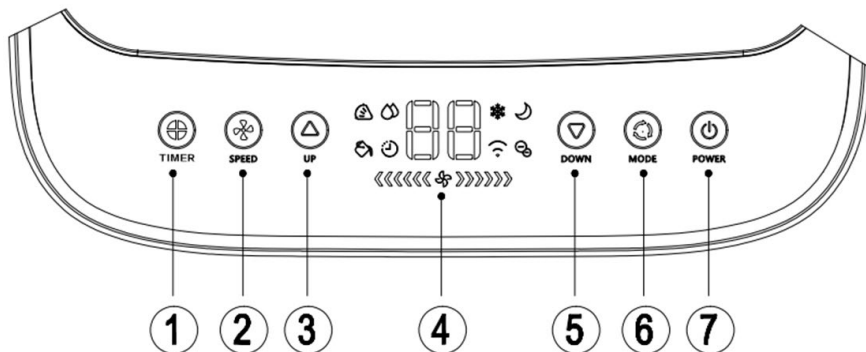


Рисунок 16*

Изображение приведено в качестве справочной информации и может отличаться от реальной панели управления

Когда прибор подключается к сети впервые, прозвучит звуковой сигнал обозначающий включение прибора, затем прибор войдет в режим ожидания.

1. “TIMER” – если прибор включен, нажмите данную кнопку для настройки времени на автоматическое выключение прибора. Если прибор выключен, нажмите данную кнопку для настройки времени на автоматическое включение прибора. Нажмите кнопку “**TIMER**”, после того, как на LED дисплее загорится соответствующий индикатор, нажимайте кнопки “**UP**” или “**DOWN**” для выбора необходимого вам времени. Время можно настраивать в промежутке от 1 до 24 часов. Одно нажатие кнопок “**UP**” или “**DOWN**” равняется одному часу.

2. “SPEED” - нажмите для переключения скоростей вентилятора (ВЫСОКАЯ, НИЗКАЯ) в режимах охлаждения или вентиляции. В режиме осушения данная кнопка не работает, так как при данном режиме вентилятор работает только на низкой скорости.

3,5. “UP” и “DOWN” – нажимайте данные кнопки для настройки температуры или времени

- При настройке температуры нажимайте “**UP**” и “**DOWN**” для выбора необходимого значения (температуру нельзя выбрать в режимах вентиляции и осушения)
- При настройке времени нажимайте “**UP**” и “**DOWN**” для выбора необходимого значения.

4. LED дисплей

6. “MODE” – нажмите для переключения между режимами работы: **охлаждение** → **вентиляция** → **осушение**



7. “POWER” – нажмите для включения и выключения прибора

Режим СОН

Данный режим работы можно включить с помощью кнопок «**SPEED**» и «».

Примечание: Нельзя включить режим SLEEP в режимах осушения или вентиляции.

Режим ОХЛАЖДЕНИЕ

Нажимайте кнопку «**MODE**» пока не загорится индикатор «ОХЛАЖДЕНИЕ». Нажмите кнопки РЕГУЛИРОВКИ «» или «» для выбора требуемой комнатной температуры. Температуру можно установить в диапазоне 16°C – 31°C. Нажмите кнопку «**SPEED**» для выбора скорости вентилятора.

Режим ОСУШЕНИЕ

Нажимайте кнопку «**MODE**» пока не загорится индикатор «ОСУШЕНИЕ». В этом режиме вы не можете выбрать скорость вентилятора или отрегулировать температуру. Закройте окна и двери для достижения наилучшего эффекта осушения. Не выводите воздуховод в окно.

Режим ВЕНТИЛЯТОР

Нажимайте кнопку «**MODE**» пока не загорится индикатор «ВЕНТИЛЯТОР». Нажмите кнопку «**SPEED**» для выбора скорости вентилятора. Нельзя отрегулировать температуру. Не выводите воздуховод в окно.

10. УХОД И ОБСЛУЖИВАНИЕ

ВНИМАНИЕ!

Перед очисткой прибора отключите его от электросети.

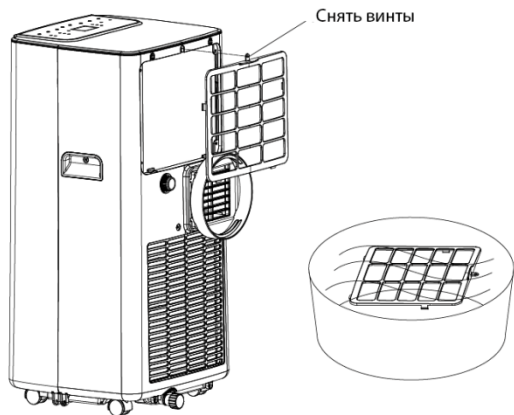
1. При чистке кондиционера не пользуйтесь бензином, растворителями и другими химически активными средствами.
2. Во избежание поражения электрическим током и повреждения электрических компонентов не лейте на кондиционер воду из крана или шланга.
3. Не эксплуатируйте кондиционер при поврежденном кабеле электропитания. По вопросу замены поврежденного кабеля обращайтесь в авторизованный сервисный центр.

Воздушный фильтр

Засорение воздушного фильтра частицами пыли снижает эффективность работы кондиционера, поэтому проводите чистку фильтра не реже одного раза в две недели.

Извлечение/установка фильтра

На задней части корпуса отодвиньте пластиковый фиксатор, отвинтите четыре винта и вытащите рамку фильтра (как показано на рисунке ниже)



Чистка фильтра

Для очистки фильтра положите его в теплую воду с мягким моющим средством (с температурой около 40°C), промойте его и удалите загрязнения. Перед установкой фильтра в кондиционер необходимо его высушить, избегая воздействия прямых солнечных лучей.

Воздухозаборные отверстия (теплообменники)

Для очистки пользуйтесь пылесосом.

Корпус

Протрите поверхность влажной тканью и просушите мягкой сухой тканью.

Автоматическое удаление конденсата

Удаление конденсата из прибора происходит автоматически. Влага внутри прибора начинает испаряться и в виде водяного пара удаляется через воздуховод (или решетки для вывода воздуха).

Инструкция при работе с конденсацией

1. При заполнении бака конденсацией необходимо выключить кондиционер и отключить электропитание.

Примечание: двигайте прибор осторожно, во избежание пролива воды на дно корпуса.

2. Для слива конденсата установите контейнер для воды под сливным отверстием, находящийся в задней части корпуса.

3. Отвинтите крышку сливного отверстия, извлеките затычку для воды и слейте воду.

Примечание:

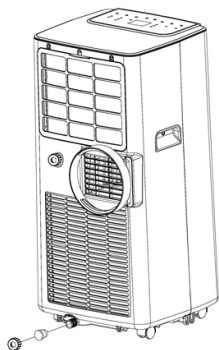
1. Держите крышку сливного отверстия и затычку для воды должным образом.

2. Во время слива воды, корпус можно слегка наклонить назад.

Примечание: Если контейнер для воды не вмещает в себя весь конденсат из кондиционера, закройте сливное отверстие затычкой как можно скорее, во избежание пролива воды на пол.

4. Когда конденсат удален из прибора, поместите затычку для воды обратно в сливное отверстие, затем затяните крышку сливного отверстия.

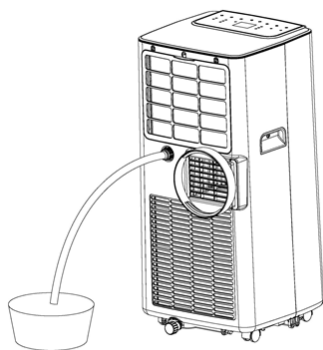
Примечание: Продолжите работу прибора только после установки затычки для воды и крышки сливного отверстия, во избежание пролива конденсата на пол.



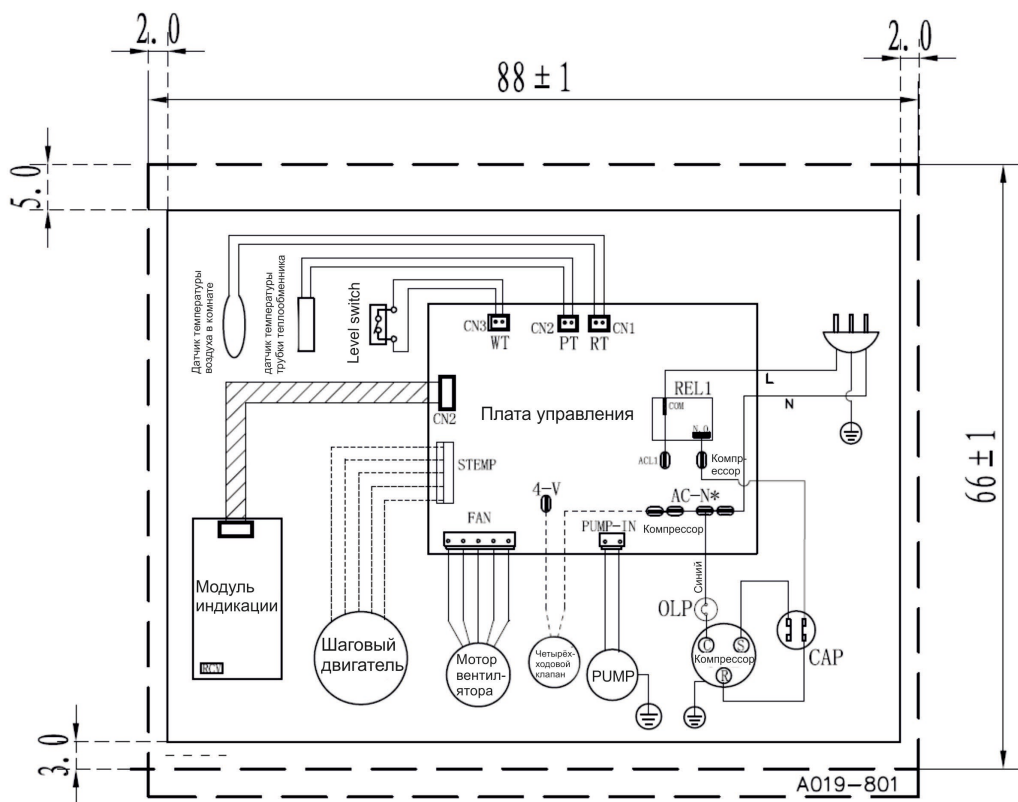
Автоматический слив конденсата (опционально, работает только в режиме осушения):

- 1) Отвинтите крышку сливного отверстия и извлеките затычку для воды.
- 2) Установите дренажную трубку* в сливное отверстие.
- 3) Поместите дренажную трубку* в контейнер для воды

**Не входит в комплект поставки*



11. ПРИНЦИПИАЛЬНАЯ ЭЛЕКТРИЧЕСКАЯ СХЕМА



12. УСТРАНЕНИЕ НЕИСПРАВНОСТЕЙ

В случае возникновения аварийных ситуаций обратитесь к способам устранения неисправностей, указанных в таблице. В случае невозможности решения проблем указанными способами обратитесь в сервисный центр.

Неисправность	Возможная причина	Действия
Кондиционер не работает	Перебои в электропитании	Подождите, пока восстановится электропитание
	Разрядились элементы питания пульта дистанционного управления	Замените элементы питания пульта дистанционного управления. Не выбрасывайте батарейки в обычные мусорные баки, их следует выбрасывать в специальные баки в пунктах приема мусора
	Задано время включения кондиционера по таймеру	Подождите, пока кондиционер включится по таймеру или отмените настройку таймера

	Прибор заполнен конденсатом	Удалите конденсат из прибора (см. «Уход и обслуживание»)
	Температура помещения слишком низкая или слишком высокая	Использовать прибор в диапазоне рабочих температур установленным производителем (см. таблицу технических характеристик).
Недостаточная холодопроизводительность	Задана слишком высокая или слишком низкая температура воздуха в помещении	Правильно задайте температуру воздуха
	Воздушный фильтр забит пылью	Очистите воздушный фильтр
	Посторонние предметы загораживают воздухозаборную или воздуховыпускную решетку	Удалите посторонние предметы
	Для данного помещения выбран кондиционер низкой мощности	Использовать прибор в помещении площадью рекомендованной производителем (см. таблицу технических характеристик).
	В помещении сильный солнечный свет	Задерните шторы
	Открыты окна и/или двери	Закройте окна и/или двери
	В помещении присутствуют источники тепла	Устраните источники тепла из помещения
Кондиционер работает, но не охлаждает помещение	Действует трехминутная задержка включения компрессора	Немного подождите
	Задана неправильная температура воздуха	Задайте правильную температуру воздуха
Дистанционный пульт управления не работает	Слишком большое расстояние между пультом дистанционного управления и прибором	Пользуйтесь пультом дистанционного управления, находясь в непосредственной близости с прибором, направляя его непосредственно на прибор
	Пульт дистанционного управления не направлен в сторону прибора (в сторону ресивера сигнала пульта дистанционного управления на приборе)	
	Заряд элементов питания пульта дистанционного управления закончился	Замените элементы питания пульта дистанционного управления

13. УТИЛИЗАЦИЯ, СРОК СЛУЖБЫ, ГАРАНТИЙНЫЙ СРОК



По окончании срока службы прибора следует провести его утилизацию в соответствии с нормами, правилами и способами, действующими в месте утилизации. Подробную информацию по утилизации прибора Вы можете получить у представителя местного органа власти, предоставив ему полную информацию о приборе. Изготовитель и уполномоченное им лицо не несут ответственности за исполнение Покупателем требований законодательства по утилизации и способы утилизации прибора, выбранные Покупателем. Срок службы прибора указан в гарантийном талоне. Гарантийный срок на прибор, условия гарантии и гарантийного срока указаны в гарантийном талоне. Гарантийный талон является неотъемлемой частью товаросопроводительной документации, входящей в комплект поставки данного прибора. При отсутствии гарантийного талона в комплекте поставки, требуйте его у Продавца. Гарантийный талон, предоставляемый Продавцом должен соответствовать установленной Изготовителем форме. Изготовитель и уполномоченное лицо изготовителя снимают с себя любую ответственность за возможный вред, прямо или косвенно нанесенный данным прибором людям, животным, имуществу в случае, если это произошло в результате несоблюдения правил и условий эксплуатации, установки прибора, умышленных или неосторожных действий потребителя и/или третьих лиц, а также в случае ситуаций, вызванных природными и/или антропогенными форс-мажорными явлениями.

14. ТРАНСПОРТИРОВКА И ХРАНЕНИЕ

1. При транспортировке должны быть исключены любые возможные удары и перемещения упаковки внутри транспортного средства.
2. При транспортировке и хранении должны строго соблюдаться требования манипуляционных знаков на упаковке прибора.

Температурные требования	Транспортировка и хранение	От -30°C до +50°C
Требования к влажности		От 15% до 85% (нет конденсата)

Продукция должна храниться в сухих, проветриваемых складских помещениях при температуре не ниже +5°C. Мы изучаем новые технологии и постоянно улучшаем качество нашей продукции. Технические характеристики, конструкция и комплектация могут быть изменены без предварительного уведомления.

РУКОВОДСТВО ПО ЭКСПЛУАТАЦИИ

ЕАС

www.timberk.ru