



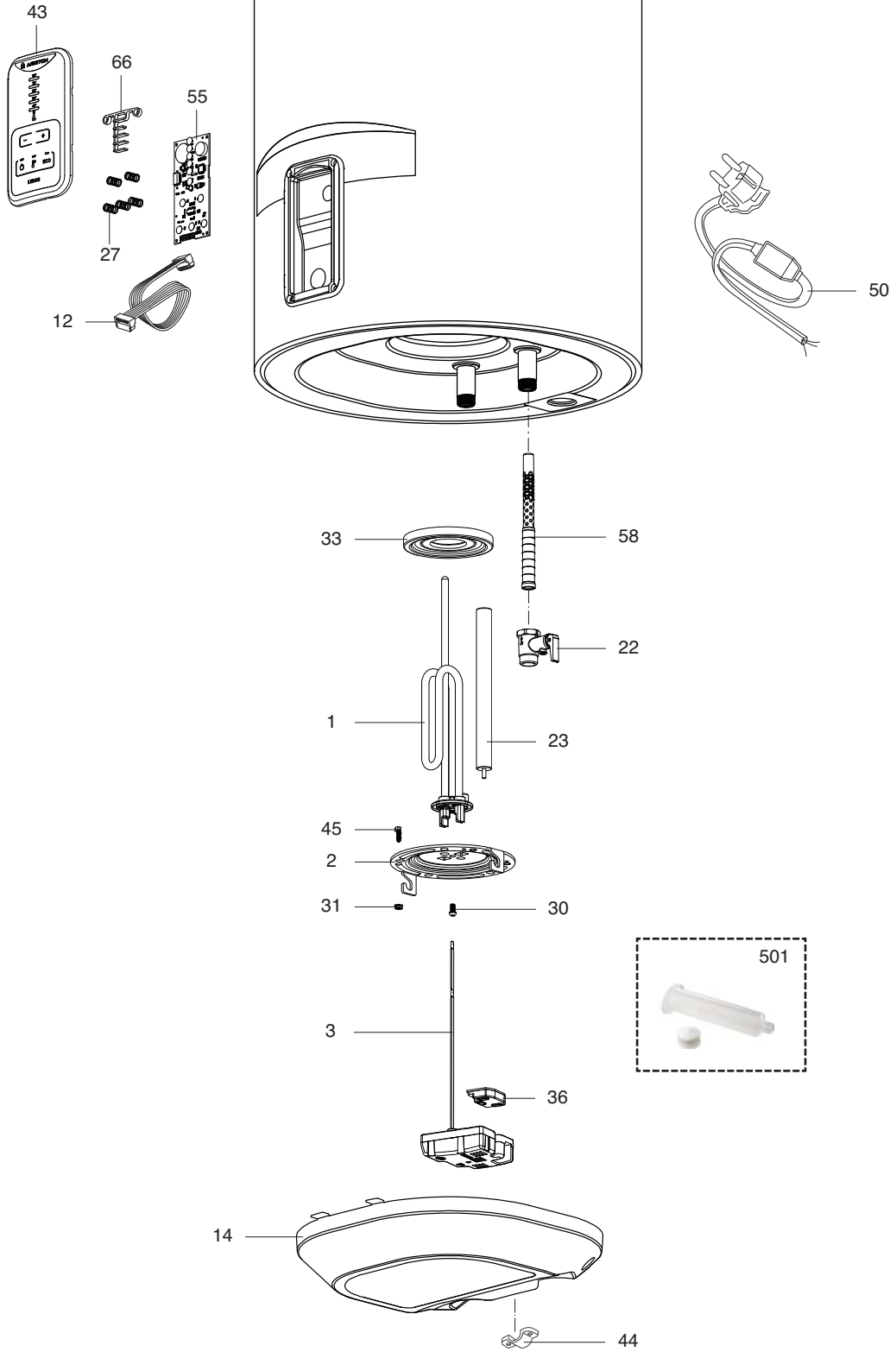
SPARE PARTS EXPLODED VIEW
STORAGE ELECTRIC WATER HEATERS
Model
LYDOS ECO ABS PW

R8218140-02 - 16/03/2020

LYDOS ECO ABS PW

Storage Electric Water Heaters

1	3201974	LYDOS ECO ABS PW 50 V	07-2018	-
2	3201975	LYDOS ECO ABS PW 80 V	07-2018	-
3	3201976	LYDOS ECO ABS PW 100 V	07-2018	-
Col	Reference	Model type	Begin	End



☺⇒	Description	Manf. Pt. N	Type	LYD. ECO ABS PW 30 LYD. ECO ABS PW 80 LYD. ECO ABS PW 100																		From	to
				1	2	3	4	5	6	7	8	9	10	11	12	13	14	15	16	17	18		
0001	НАГРЕВАТЕЛЬНЫЙ ЭЛЕМЕНТ 2500W 220-240V	65112788		●	●	●																	
0002	ФЛАНЕЦ (5 БОЛТОВ)	65118098		●	●	●																	
0003	ЭЛЕКТРОННЫЙ ТЕРМОСТАТ	65116559		●	●	●														03/20			
	ЭЛЕКТРОННЫЙ ТЕРМОСТАТ	65118173		●	●	●															02/20		
0012	КАБЕЛЬ ДИСПЛЕЯ	65118085		●	●	●																	
0014	КРЫШКА ПЛАСТИКОВАЯ	65117999		●	●	●																	
0022	ПРЕДОХРАНИТЕЛЬНЫЙ КЛАПАН (1/2" 8,5 БАР)	571730		●	●	●																	
0023	МАГНИЕВЫЙ АНОД D:25,5 L:230 M5-M8	993014-01		●	●	●																	
0027	ПРУЖИНА	65117996		●	●	●																	
0030	ВИНТ M6X12	993000		●	●	●																	
0031	КОНТРГАЙКА M6	994140		●	●	●																	
0033	ПРОКЛАДКА ФЛАНЦА	65111788		●	●	●																	
0036	ПЛАТА T-FLEX	65116753		●	●	●														03/20			
	ПЛАТА T-FLEX	65118083		●	●	●															02/20		
0043	ПАНЕЛЬ УПРАВЛЕНИЯ	65118096		●	●	●																	
0044	ЗАЖИМ ДЛЯ КАБЕЛЯ	993154		●	●	●																	
0045	ВИНТ M6X20	65151225-FA		●	●	●																	
0050	КАБЕЛЬ ПИТАНИЯ С УЗО (16А 1,0м)	65150965		●	●	●																	
0055	ПЛАТА ДИСПЛЕЯ	65118097		●	●	●																	
0058	РАССЕКATEЛЬ ВОДЫ (1/2" H=70)	65117462		●	●	●																	
0066	СВЕТОПРОВОДЯЩАЯ ПЛАСТИНА	65117997		●	●	●																	
0500	АКСЕССУАРЫ																						
0501	ТЕРМОПАСТА	65118088		●	●	●																	

LIST OF THE ABBREVIATIONS

HW	: Hot water.
CW	: Cold water.
C	: Ceramic resistance (normal heating).
Ca	: Ceramic resistance (accelerated heating)
TP	: Immersion heater.
1F	: With fittings.
2F	: Without fittings.
3F	: With fittings and another outlet connection.
AMI	: With mixing valve.
SMI	: Without mixing valve.
PUISS	: Power of th appliance.
PN	: Appliance with normal pression.
LP	: Appliance with low pression.
PV	: Appliance with variable power.
PF	: Appliance with fixed power.

IDENTIFICATION PLATE

SERIAL NUMBER

6 Characters :
 Year of manufacture 03 09 08 Manufacturing day
 Month of manufacture

9 Characters :
 Year of manufacture 5 9 12 06 06 Sequential number
 Month of manufacture

14 Characters :

SI-V-0B0 45 07 0001
 Sequential number
 Year of manufacture : 6 → 2004
 Month of manufacture : → 25 → January 43 → July 7 → 2005
13 → February 29 → August 8 → 2006
 Product model 32 → March 40 → September etc ...
35 → April 38 → October
39 → May 51 → November
45 → June 12 → December

14 Characters :
111518 XX 000010
 Month of manufacture Sequential number
 Day of manufacture Year of manufacture

15 Characters :
02 11 00001 007843
 Year of manufacture Product reference
 Month of manufacture Sequential number

21 Characters :
320005 XX 08115 0000001
 Product reference Sequential number
 Year (08) / Manufacturing day (115)

22 Characters :
320005 XX 070115 0000001
 Product reference Sequential number
 Year (07) / Month (01) / Manufacturing day (15)