

HYUNDAI

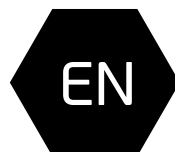


Электрический кондиционер воздуха мобильного типа

Руководство по эксплуатации.
Гарантийный талон.

Electric air conditioner portable type

Instruction manual.
Warranty card.



Модели / Models

H-AP3-09H-UI004
H-AP3-12H-UI005

**CONTENTS**

1.Important information	3
2.Precautions	3
3.Technical characteristics	4
4.Description of portable air conditioner	6
5.Control panel air conditioner	7
6.Maintenance	9
7.Service life	10
8.Rules of disposal	10
9.Helpful advice	10
10.Troubleshooting.	12

Dear Customer!

Thank you for a shrewd choice and purchase of Hyundai portable electric air conditioner. It will serve you for a long time.

1. IMPORTANT INFORMATION

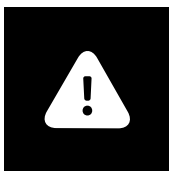
1. Please read this instruction manual carefully prior to installation and operation of a portable air conditioner.
2. To avoid damage to the air conditioner and voiding your guarantee, before start using the air conditioner put the device in a vertical position (as shown on the cover of this instruction manual) for at least 2 hours prior to operation.
3. There may be misprints in the text and digital symbols in this manual.
4. If after reading the manual you would still have questions regarding functioning and operation of the device, please contact the seller or a specialized service center for clarifications.
5. The device has a tag indicating all necessary technical data and other useful information about the device.
6. Use the device only as designated by this manual.
7. Prior to installation of the portable air conditioner, not connecting it to the mains, check and make sure that the mains socket for the air conditioner has a grounding pin and is properly grounded.
8. In case there is no grounding pin in your mains, operation of the portable air conditioner is life-threatening.
9. Do not use adapters and extension cords to connect your portable air conditioner.
10. Improper installation and use of this air conditioner may lead to severe injuries or damage to your property.
11. Any maintenance must be performed by a specialized company and qualified specialists.



2. PRECAUTIONS

1. Do not block vents!
2. Make sure the inlet and outlet vent is not blocked.
3. Do not insert foreign objects into the air diffuser of the air conditioner. It is very dangerous since the fan rotates at high speed.
4. Install the device only on a horizontal surface to prevent condensed water leakage.
5. Do not install the floor-mounted air conditioner in the following places:
 - in places exposed to direct sunlight;
 - in the vicinity of open fire sources;
 - in the vicinity of other operating heating devices;
 - in places where water or steam splashes can contact the device;
 - in rooms with increased humidity;
 - close to swimming pools, bathrooms and shower rooms.
6. Do not use the device in an explosive or corrosive environment. Do not store gasoline and other volatile flammable liquids near the air conditioner – it is very dangerous!
7. Use the device to cool down air at ambient temperature 17-32°C. To use the device as a heater the room temperature must be 5-23°C.
8. Regularly clean filters to ensure efficient operation of the device.
9. To ensure reliable operation of the compressor, do not tilt the air conditioner.
10. If the device is disconnected, restarting must be performed not sooner than in 3.5 minutes to prevent the compressor failure.
11. At least 10 A current is required for the compressor to operate. To avoid overheating and fire risk, as well as damage to the inner electrical circuit, do not connect the device through extension cords.
12. The device is designed to cool, heat and dry air only in residential conditions and cannot be used for industrial purposes.

13. To avoid electric shock, a damaged power cord must be replaced only by an authorized service center and qualified specialists.
14. Prior to disposal of the device, it is necessary to remove batteries from it, after that they can be safely disposed.
15. Connect the air conditioner only to 220-230 V 50 Hz mains. If necessary, ask your power suppliers to give characteristics of your mains.
16. The appliance is not intended for use by children and persons with reduced physical, sensory or mental capabilities, or a lack of experience and knowledge, unless they have been given supervision or instruction concerning use of the appliance by an individual responsible for their safety. Children should be supervised to ensure that they do not play with the appliance.



IMPORTANT!

Efficient heating and cooling require to:

1. Ensure at least 30 cm of free space on the filtering side of the unit (Fig. 1).
2. It is forbidden to fold the hose!

EN

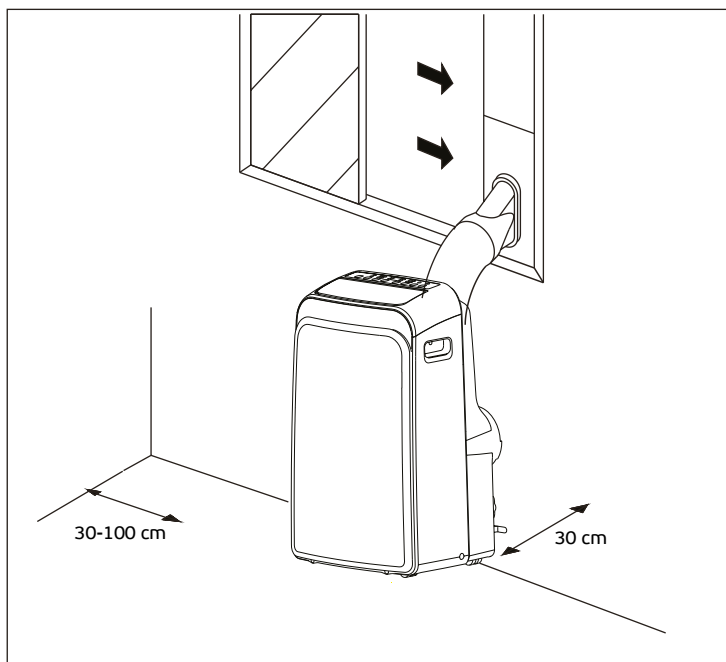


Fig. 1

3. TECHNICAL CHARACTERISTICS

Tab.1

Model	H-AP3-09H-UI004	H-AP3-12H-UI005
Capacity (cooling) kW	2,64	3,51
Capacity (heating) kW	2.1	2.9
Rated input (cooling) W	1059	1350
Rated input (heating) W	820	1130
Voltage V/Hz	220~240/50	220~240/50
Rated current (cooling) A	4.8/3.6	5.9/5.0
Air circulation m3/h	370	370
Capacity of draining (L/h)	1.0	1.2
Noise level dB(A)	52/49/46	52/48/45
Refrigerant	R410A	R410A
Energy class (cooling/heating)	A/A	A/A
Electrical protection class	I	I
Degree of protection against moisture	IPX0	IPX0
Net weight (kg)	30.5	34
Gross weight (kg)	34.5	37.5
Net dimensions (mm)	467x397x765	467x397x765
Packing dimensions (mm)	517x437x880	517x437x880



NOTE:

The manufacturer reserves the right to make changes in the design, scope of delivery, product manufacturing technology, as well as change its technical characteristics to improve its consumer and technical properties without prior notice.

Scope of delivery

1. Household air conditioner 1 pc.
2. Remote control* (batteries are not supplied, 1,5V UM4 AAA CR03 batteries are required) 1pc.
3. The adapter for air duct 1 pc.
4. Air outlet hose 1 pc.
5. Removable grille 1 pc.

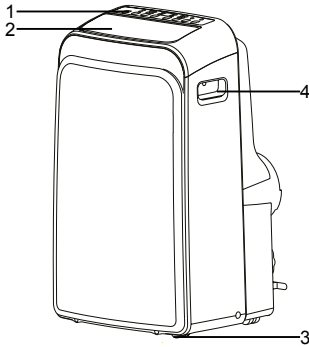


Fig. 2

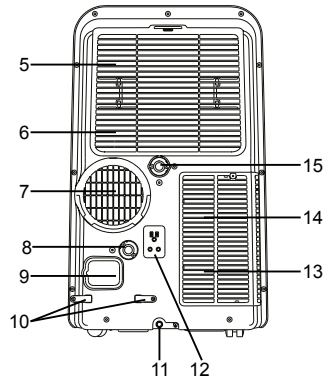


Fig. 3

4. DEVICE DESCRIPTION (Fig. 2 and 3)

1. Control panel
2. Horizontal louver
3. Rollers
4. Handle for transportation
5. Air filter
6. Air Inlet grille
7. Air outlet grille
8. Condensation drain hole
9. Power cord
10. Power cord buckle
11. Condensation drain hole
12. Power plug socket
13. Air filter
14. Air intake grill
15. Condensation drain hole

EN

Installation of air outlet hose (Fig. 4)

1. Before using install the adapter on hose for air outlet (Fig. 4-2)
2. Install hose for air outlet into the hole (Fig. 4-3).

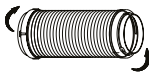


Fig. 4-1

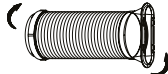


Fig. 4-2

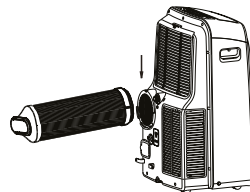


Fig. 4-3

5. CONTROL OF PORTABLE AIR CONDITIONER

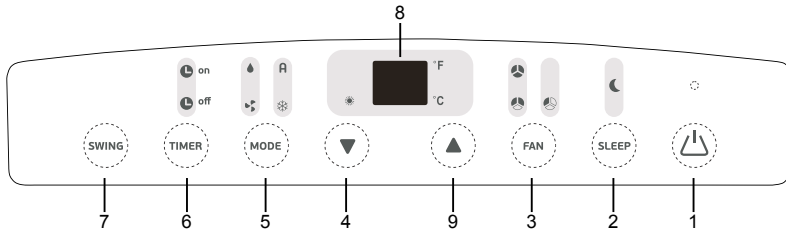


Fig. 5

- 1. FUNC mode selection button (SET):**
You can select three functions with this button: cooling, heating and dehumidification. **POWER** button: pressing this button you can switch on or off the unit.
- 2. SLEEP button:** after pressing this button the fan sets to low speed.
Press this button to increase (during cooling) or decrease (during heating) the set temperature by 1°C in 30 min after activation of this function. Temperature is increased (during cooling) or decreased (during heating) by 1°C in another 30 min. In 7 hours, the air conditioner will be automatically switched to the previous mode.
- 3. FAN button.** Press this button to select low (🌀), medium (🌀), high (🌀) speed. When the auto mode is working the indicators don't light. Upon selection of automatic rotation speed, the rotation speed indicators are extinguished.
- 4. TEMP down button.** In the cooling mode each press of this button lowers the set temperature. The set temperature ranges from 17°C to 30°C.
- 5. SET button.** Press this button to select the mode of heating, dehumidification, cooling and auto mode.
- 6. Timer button:** **ON TIMER:** The ON timer is used to automatically switch on the unit upon expiration of the set time.
 - When the air conditioner is on, press the button to activate the Timer OFF. The indicator of the Timer OFF will start glowing. Select the desired turn-off time by up and down buttons. Press the Timer button again within five seconds to activate setting of the Timer ON. The indicator of the Timer ON will start glowing. Select the desired turn-on time by up and down buttons.
 - When the air conditioner is off, press the button to activate the Timer ON, press it again within five seconds to activate the Timer OFF.
 - Press or hold the up or down button to select the desired time. From 0 to 10 hours time changes in 0.5 hour increments, from 10 to 24 hours – in 1 hour increments.
 - After five seconds after you finished setting the timer the display will show the set temperature again.
 - Pressing the ON/OFF button or setting the timer time to 0.0 will cancel setting of the timer.
- 7. Swing button.** Using this button you may turn on or out the swing of louvers
- 8. LED display.** The appliance displays the set temperature and setting of the automatic timer. In the drying/fan modes, the appliance displays the current indoor temperature.
- 9. TEMP up button.** In the heating mode each press of this button raises the set temperature. The set temperature ranges from 17°C to 30°C.

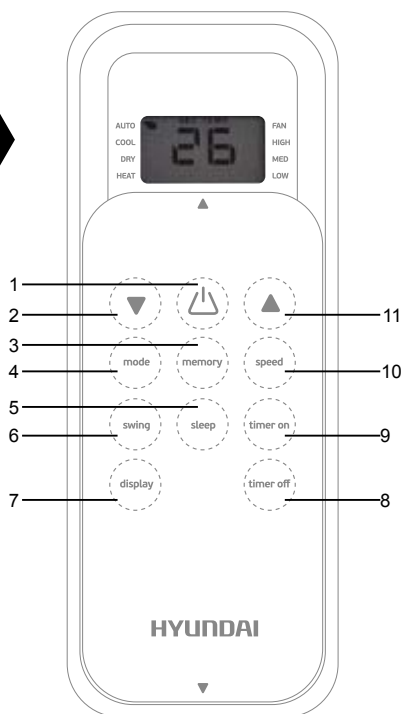


Indicators for operating mode:

- ❄ - cooling mode indicator
- 💧 - dry mode indicator
- 🌙 - sleep mode indicator
- 🌀 - high fan speed indicator
- 🌀 - medium fan speed indicator
- 🌀 - low fan speed indicator
- ☀ - heating indicator
- 🕒 - timer mode indicator
- Ⓐ - auto mode indicator
- °F - indicator Fahrenheit
- °C - indicator Celsius

REMOTE CONTROL

EN



1. Button «ON/OFF». Using this button, you may turn the conditioner on or off.
2. Button «TEMP» (decrease) for setting of the required air temperature from 17°C to 30°C. Using this button, you may set the required air temperature indoors.
3. Button «Memory». Using this button you may restore the current settings or resume previous setting. Hold the button to save current settings. Press the button to load stored settings.
4. Select-mode button «MODE». Using this button, you may select a required mode: Auto, Cool, Dry, Heat, Fan.
5. Button «SLEEP». Press this button to activate the sleep.
6. Button «SWING». Using this button, you may regulate position of air-relief blinds and forward treated air to various directions.
7. Button «LED». Using this button you can may to clear the display on the indoor unit. Press it again to light the display.
8. Button «TIMER OFF». Press this button to initiate the off-delay timer.
9. Button «TIMER ON». Press this button to initiate the on-delay timer.
10. Button «SPEED». Using this button, you may select rotation speed of the indoor unit fan: «Auto», «High», «Middle», «Low».
11. Button «TEMP» (increase) for setting of the required air temperature from 17°C to 30°C. Using this button, you may set the required air temperature indoors.

Fig. 6



NOTE:

The unit can evaporate condensed water and automatically drain it through the hose.

1. When the unit is in cooling mode, it is not necessary to install the condensate drainage pipe since condensate evaporates automatically. Make sure that when the unit is operating, the rubber plug of the drainage hose is securely fixed.

2. In heating mode, remove the rubber plug of the drainage hose, install the respective drainage hose to improve heating efficiency.

3. In dehumidification mode, remove the rubber plug of the drainage hose, install the respective drainage hose.

Disconnect the air outlet hose, connect the drainage hose to the drainage hole and drain water from the unit to ensure maximum dehumidification efficiency.

"E4" signal is shown on the LED display at the maximum water level.

To resume the operation, remove the rubber plug of the drainage hose to drain water at first. After water is drained, turn the unit on, the unit will resume operation.

6. MAINTENANCE



IMPORTANT!

Disconnect the unit from the mains prior to cleaning.



1. When cleaning the air conditioner, do not use gasoline, solvents and other chemically active substances.
2. To avoid electric shock and damage to electrical components, do not pour water on the air conditioner from a tap or a hose.
3. Do not use the air conditioner if the power cord is damaged. On the subject of replacing a damaged power cord, contact an authorized service center.

Air filter

Air filter clogging with dust particles impairs the air conditioner operation efficiency, therefore clean the filter no less than once in two weeks.

Filter removal/installation

Remove the air filter in the direction, indicated by the arrow. Slightly push it and then take it out from the device for cleaning. (See Fig. 7).

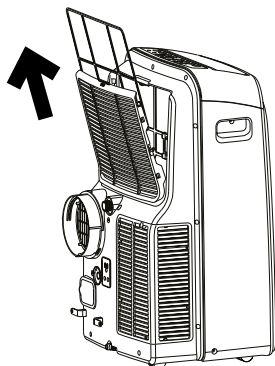


Fig. 7

Installation of the filter is performed in the reverse order.

Filter cleaning

At first, carefully clean the filters by means of vacuum cleaners. Then immerse the filter in warm water (about 40°C) with a soft detergent, wash it and dry it without exposure to direct sunlight.

Air intakes (heat exchangers)

Use a vacuum cleaner for cleaning.

Case

Wipe the surface by a damp cloth and dry it by a soft dry cloth.

Automatic condensate removal

Condensate is automatically removed from the unit. Moisture inside the unit starts to evaporate and is removed from the unit through an air duct (or an air diffuser) in the form of steam.

7. SERVICE LIFE

Service life of the unit is 10 years provided respective installation and operation rules are followed.

Date of manufacture of the air conditioner is indicated on the unit in the serial number. Contact the seller for additional information.

8. RULES OF DISPOSAL

After service life is expired, the unit must be disposed in compliance with rules, regulations and methods effective at disposal stations.

9. HELPFUL ADVICE

Since the unit may heat when operated, do not install it in places with limited free space.

In case of a dangerous current leakage, do not use the unit at high humidity.

Keep the unit away from direct sunlight: its paint may fade.

The unit has a function allowing it to be switched off automatically at a certain temperature, in this case let the unit cool down, after that it can be switched on again.

Do not position the unit nearby objects that block air flow, for example, furniture or curtains since it has a great impact on operation of the unit.
Keep the unit away from direct sunlight: it may cause overheating and shutdown of the unit.

ELECTRIC POWER SUPPLY

Make sure characteristics of the mains correspond to characteristics of the unit.
Insert the plug in the socket securely to avoid overheating and risk of fire.
Do not pull the power cord with excessive force: it may damage it.



IMPORTANT!

At high humidity additional condensate removal will be required ("E4" symbol will be shown on the display). In this case a condensate collection tank at the device's base is used.

In this case follow the instructions given below.

When the condensate collection tank is filled up, water needs to be drained, otherwise the unit will not operate. Condensate should be drained by opening the lower plug at the device's base (Fig. 8). But air conditioners are also designed to remove condensate continuously without a need for a regular moisture removal from the device.

To do so it is necessary to use the drainage hose and perform the following procedure:

1. Prepare the drainage hose for condensate removal;
2. Remove the plug from the back side of the device;
3. Insert the drainage hose into the condensate drainage hole;
4. Take the hose out to the drainage system to remove condensate;

A hole designed for continuous condensate removal in the center of the device can be used for continuous condensate removal under conditions of increased humidity inside a room.

To do so it is also necessary to perform the abovementioned procedure.

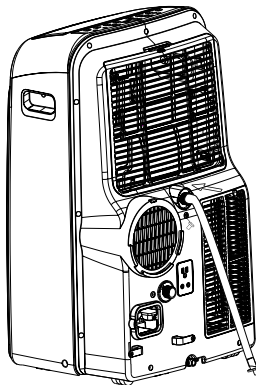


Fig. 8

10. TROUBLESHOOTING

Trouble	Cause	Troubleshooting method
The air conditioner is not switched on when Power button is pressed. The indicator P1 lights	The tank fill-up indicator is flashing, the condensate collection tray is filled up	Drain water from the tray
Loud noise or strong vibration	The air conditioner is installed on an inclined or unsmooth surface	Install the air conditioner on a smooth horizontal surface
A noise, resembling a gurgle of water	Noise emerges due to refrigerant flow in pipes	It is normal
Insufficient output	Too short time after energization Air inlet/outlet of the appliance is blocked	Make sure that there are no obstacles for air flow
	Insufficiently low humidity is set	Select lower humidity on the control panel
	Windows or doors in the room are not closed	Close windows and doors
	Temperature in the room is below 5°C	Wait until temperature rises
	A wax heater or another source of water vapor works in the room	Wait until the water vapor source stops
	The air filter is clogged	Flush the filter
Error codes for LED-display model		
E1	Room temperature sensor error	Unplug the unit and plug it back in. If error repeats, call for service
E2	Evaporator temperature sensor error	Unplug the unit and plug it back in. If error repeats, call for service
E3	Display panel communication error	Unplug the unit and plug it back in. If error repeats, call for service

Error codes for LED-display model

P1

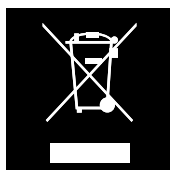
Bottom tray is full

Connect the drain hose and drain the collected water away. If error repeats, call for service



NOTE:

When more than one codes occur, the priority of the code display order is: E4-E2-E1-P1.



Such marking indicates that disposal of this product along with other domestic waste is forbidden in the EU. To prevent environmental or health damage as a result of uncontrolled waste disposal, please hand this product for recycling to enable rational use of material resources. To return the device you used, please use the collection and return system or contact the point of sale, where the device was purchased. They can take it for an environmentally safe disposal.



Содержание

1. Важная информация	14
2. Меры предосторожности	15
3. Технические характеристики	17
4. Описание мобильного кондиционера	18
5. Управление мобильным кондиционером	19
6. Обслуживание	21
7. Срок эксплуатации	22
8. Правила утилизации	22
9. Полезные советы	23
10. Устранение неисправностей	24
11. Сертификация	26

Уважаемый покупатель!

Благодарим Вас за удачный выбор и приобретение электрического мобильного кондиционера воздуха Hyundai. Он прослужит Вам долго.

1. ВАЖНАЯ ИНФОРМАЦИЯ

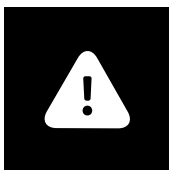
1. Просим внимательно ознакомиться с инструкцией по эксплуатации перед установкой и использованием мобильного кондиционера воздуха.
2. Во избежание повреждений кондиционера и аннулирования Вашей гарантии перед началом работы поставьте прибор в вертикальное положение (как изображено на обложке инструкции) минимум на 2 часа до эксплуатации.
3. В тексте и цифровых обозначениях данной инструкции могут быть допущены опечатки.
4. Если после прочтения инструкции у Вас останутся вопросы по работе и эксплуатации прибора, обратитесь к продавцу или в специализированный сервисный центр для получения разъяснений.
5. На изделии присутствует этикетка, на которой указаны все необходимые технические данные и другая полезная информация о приборе.
6. Используйте прибор только по назначению, указанному в данной инструкции.
7. Перед установкой мобильного кондиционера, не подключая его к электросети, проверьте и убедитесь, что сетевая розетка для кондиционера имеет контакт заземления и правильно заземлена.
8. При отсутствии заземляющего контура в вашей электросети эксплуатация мобильного кондиционера опасна для жизни.
9. Не используйте переходники и удлинители для подключения вашего мобильного кондиционера.
10. Неправильная установка и использование настоящего кондиционера может привести к серьезным травмам или ущербу для вашего имущества.
11. Любые сервисные работы должны производиться специализированной организацией, квалифицированными специалистами.



2. МЕРЫ ПРЕДОСТОРОЖНОСТИ

1. Не закрывайте вентиляционные отверстия!
2. Убедитесь, что входное и выходное вентиляционное отверстие свободно.
3. Не засовывайте посторонние предметы в воздуховыпускные решетки кондиционера. Это очень опасно, т.к. вентилятор вращается с высокой скоростью.
4. Устанавливайте устройство на горизонтальную поверхность во избежание утечки конденсата (воды).
5. Не устанавливайте напольный кондиционер в следующих местах:
 - в местах воздействия прямых солнечных лучей;
 - вблизи источников открытого пламени;
 - вблизи других работающих нагревательных приборов;
 - в местах, где возможно попадание брызг воды или пара на прибор;
 - в помещениях с повышенной влажностью;
 - вблизи бассейнов, ванн и душевых комнат.
6. Не используйте устройство во взрывоопасной или коррозионной среде. Не храните рядом с кондиционером бензин и другие летучие легковоспламеняющиеся жидкости – это очень опасно!
7. Используйте устройство в режиме охлаждения для поддержания температуры в помещении 17-32°C, в режиме обогрева для поддержания температуры 5-23°C.
8. Периодически очищайте фильтры для обеспечения эффективной работы устройства.
9. Для обеспечения надежной работы компрессора не наклоняйте кондиционер.
10. Если устройство отключено, повторное включение должно осуществляться не ранее чем через 3,5 минуты во избежание выхода из строя компрессора.

11. Для работы компрессора необходим ток силой как минимум 10А. Во избежание перегрева и риска возникновения пожара, а также повреждения внутренней электрической сети, не включайте устройство в удлинители.
12. Устройство предназначено для охлаждения, обогрева и осушения воздуха только в домашних условиях и не может применяться в промышленных целях.
13. Во избежание опасности поражения электрическим током, поврежденный силовой шнур должен заменяться только авторизованным сервисным центром изготовителя, квалифицированными специалистами.
14. Перед утилизацией устройства необходимо извлечь батареи из пульта управления, после чего они подлежат безопасной утилизации.
15. Подключайте кондиционер только к сети 220-240В 50Гц. При необходимости выясните характеристики своей сети у поставщиков электроэнергии.
16. Устройство не предназначено для использования лицами (включая детей) с ограниченными физическими, сенсорными или умственными возможностями, обладающими недостаточным опытом и знаниями, если они не находятся под наблюдением и не получили инструкций по использованию устройства от лица, ответственного за их безопасность. Необходимо следить, чтобы дети не играли с устройством.



ВНИМАНИЕ!

Для эффективного охлаждения необходимо:

1. Обеспечить свободное пространство не менее 30 см с фильтрующей стороны устройства. (рис.1).
2. Запрещается перегибать шланг!

RU

Воздуховод может быть собран или удлинён согласно требованию по установке, но рекомендуется, чтобы воздуховод был собран до минимальной длины.

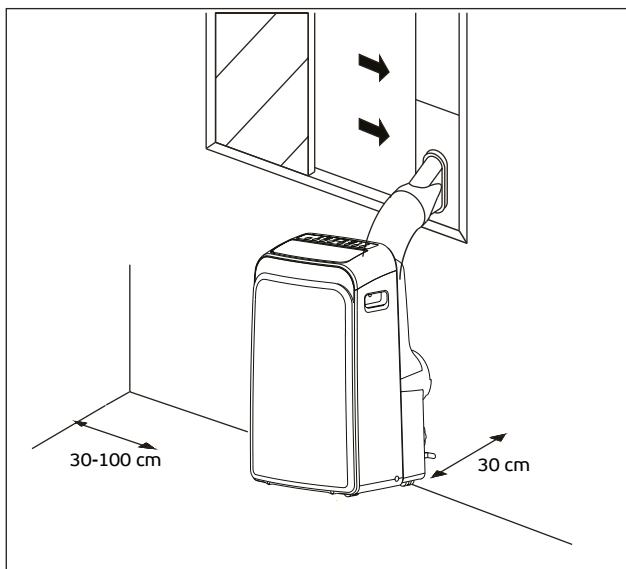


Рис. 1

3.ТЕХНИЧЕСКИЕ ХАРАКТЕРИСТИКИ

Таблица 1

Модель	H-AP3-09H-UI004	H-AP3-12H-UI005
Мощность (охлаждение) кВт	2,64	3,51
Мощность (обогрев) кВт	2.1	2.9
Потребляемая мощность (охлаждение) Вт	1010	1350
Потребляемая мощность (обогрев) Вт	820	1130
Напряжение питания В/Гц	220~240/50	220~240/50
Сила тока (охлаждение/обогрев) А	4.4/3.6	5.9/5.0
Расход воздуха мЗ/ч	370	370
Производительность по осушению	1.0	1.2
Уровень шума Дб (А)	52/49/46	52/48/45
Тип фреона	R410A	R410A
Класс энергоэффективности (охлаждение/обогрев)	A/A	A/A
Класс электробезопасности	I	I
Степень защиты от влаги	IPX0	IPX0
Вес нетто (кг)	30.5	34
Вес брутто (кг)	34.5	37.5
Размеры прибора (мм)	467x397x765	467x397x765
Размеры в упаковке (мм)	517x437x880	517x437x880

RU



ПРИМЕЧАНИЕ:

Изготовитель оставляет за собой право без предварительного уведомления покупателей вносить изменения в конструкцию, комплектацию, технологию изготовления изделия, а также менять его технические характеристики с целью улучшения его потребительских и технических свойств.

Комплектация

1. Кондиционер бытовой 1 шт.
2. Пульт дистанционного управления* (батарейки не прилагаются требуются батарейки 1,5 вольт UM4 AAA CR03) 1 шт.
3. Переходник воздуховода 1 шт.
4. Воздуховод 1 шт.
5. Съёмная решетка 1 шт.

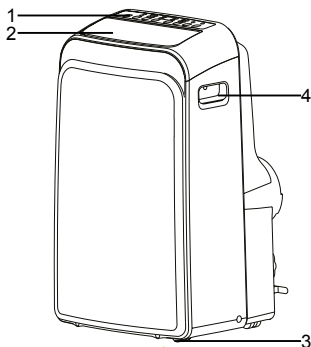


Рис. 2

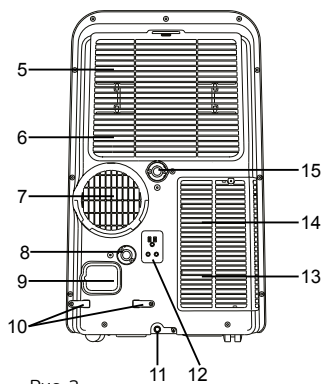


Рис. 3

4. ОПИСАНИЕ МОБИЛЬНОГО КОНДИЦИОНЕРА (рис.2 и 3)

RU

1. Панель управления
2. Горизонтальные жалюзи
3. Ролики для перемещения
4. Ручка для переноски
5. Фильтр очистки воздуха
6. Воздухозаборная решетка
7. Воздуховыпускная решетка
8. Отверстие для слива конденсата
9. Шнур питания
10. Пряжки для шнура питания
11. Отверстие для слива конденсата
12. Держатель штепселя. Используется при хранении
13. Фильтр очистки воздуха
14. Нижний воздухозаборник
15. Отверстие для слива конденсата

Установка шланга для выброса воздуха (рис. 4)

1. Перед эксплуатацией прибора установите адаптер на шланг для вывода воздуха (рис.4-2).
2. Установите шланг для вывода воздуха в отверстие (рис. 4-3).

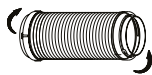


Рис. 4-1

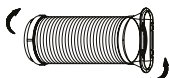


Рис. 4-2

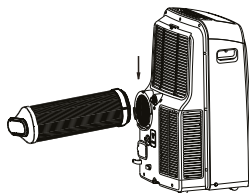


Рис. 4-3

5. УПРАВЛЕНИЕ МОБИЛЬНЫМ КОНДИЦИОНЕРОМ

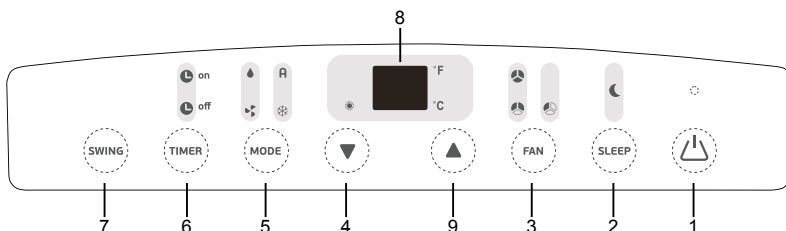


Рис. 5

1. Кнопка включения-выключения (POWER). Нажать для включения или отключения устройства.
2. Кнопка SLEEP. При нажатии этой кнопки установленная температура увеличивается (при охлаждении) или уменьшается (при обогреве) на 1 градус через 30 минут после включения этой функции. Температура увеличивается (при охлаждении) или уменьшается (при обогреве) на 1 градус еще через 30 минут. Через 7 часов кондиционер автоматически перейдет в прежний режим работы
3. Выбор скорости вращения вентилятора (FAN). Нажимайте эту кнопку для выбора низкой, средней, высокой или автоматической скорости вращения вентилятора. При выборе автоматической скорости (в режиме охлаждения) высокая, средняя или низкая скорость выбираются автоматически в зависимости от разницы между установленной температурой и температурой в помещении. При выборе автоматической скорости вращения индикаторы скорости вращения не светятся.
4. Кнопка установки желаемой температуры в сторону уменьшения (вниз TEMP). Диапазон устанавливаемой температуры от 17°C до 30°C.
5. Кнопка выбора режима работы (MODE). Нажмите эту кнопку для выбора режима осушения, обогрева, охлаждения или автоматического режима работы.
6. Кнопка включения/выключения программируемого таймера.
 - При включенном кондиционере нажмите клавишу для активации таймера выключения. Индикатор таймера выключения начнет светиться. Клавишами вверх или вниз выберите желаемое время выключения. В течении пяти секунд нажмите клавишу таймера снова, активируется настройка таймера включения. Индикатор таймера включения начнет светиться. Клавишами вверх или вниз выберите желаемое время включения.
 - При выключенном кондиционере нажмите клавишу для активации таймера включения, нажмите еще раз в течении пяти секунд для активации таймера выключения.
 - Нажимайте или удерживайте клавишу вверх или вниз для выбора желаемого времени. От 0 до 10 часов время изменяется с шагом 0,5 часа, от 10 до 24 часов с шагом 1 час.
 - Через пять секунд после окончания настройки таймера на дисплее снова отобразится установленная температура.
 - Нажатие клавиши включения/выключения или установка времени таймера в положении 0,0 отменит настройку таймера
7. Кнопка "SWING". Нажимайте эту кнопку для включения покачивания жалюзи.
8. LED-дисплей. Отображает установленную температуру и время автоматического таймера. В режиме осушения и вентилятора отображает текущую температуру в помещении.
9. Кнопка установки желаемой температуры в сторону увеличения (вверх TEMP). Диапазон устанавливаемой температуры от 17°C до 30°C.



Индикаторы на панели управления:

- ☀ - индикатор работы в режиме охлаждения
- ☾ - индикатор работы в режиме осушения
- 🌙 - индикатор ночного режима работы
- 🌀 - индикатор высокой скорости работы вентилятора
- 🌀 - индикатор средней скорости работы вентилятора
- 🌀 - индикатор низкой скорости работы вентилятора
- ☀ - индикатор работы в режиме обогрева
- ⌚ - индикатор таймера
- ⏸ - индикатор автоматического режима работы
- °F - индикатор температуры (Фаренгейт)
- °C - индикатор температуры (Цельсия)

ПУЛЬТ ДИСТАНЦИОННОГО УПРАВЛЕНИЯ

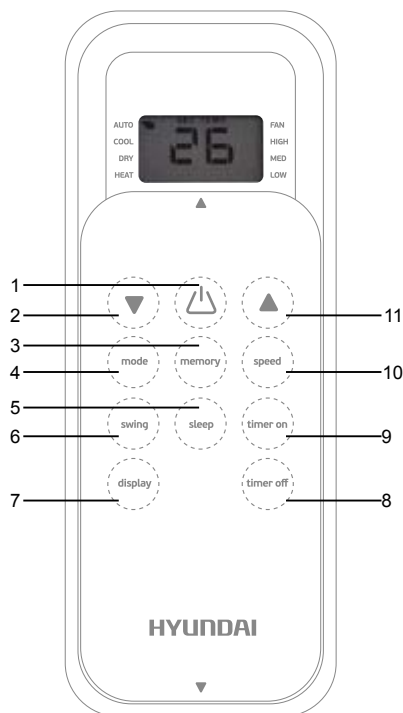


Рис. 6

1. Кнопка «ON/OFF». С помощью данной кнопки можно включить или выключить кондиционер.
2. Кнопка «TEMP» (уменьшение) для установки необходимой температуры воздуха от 17°C до 30°C. С помощью данной кнопки задается необходимая пользователю температура воздуха в помещении.
3. Кнопка «MEMORY». С помощью данной кнопки можно восстановить текущие настройки или восстановить прежние. Удерживайте клавишу для записи текущих настроек. Нажмите клавишу для вызова записанных настроек.
4. Кнопка выбора режимов работы «MODE». С помощью данной кнопки можно выбрать необходимый режим работы: Автоматический, Осушение, Вентиляция.
5. Кнопка «SLEEP». Нажмите для активации ночного режима.
6. Кнопка «SWING». С помощью данной кнопки можно регулировать положение воздуховыпускных заслонок и направлять обработанный воздух в различные стороны.
7. Кнопка «LED». С помощью данной кнопки можно отключить подсветку дисплея внутреннего блока. С помощью повторного нажатия кнопки можно включить подсветку дисплея.
8. Кнопка «TIMER OFF». Нажмите эту кнопку для инициации таймера выключения.
9. Кнопка «TIMER ON». Нажмите эту кнопку для инициации таймера включения.
10. Кнопка «SPEED». С помощью данной кнопки можно выбрать скорость вращения вентилятора внутреннего блока: Автоматическая «Auto», Высокая «High», Средняя «Middle», Низкая «Low».
11. Кнопка «TEMP» (увеличение) для установки необходимой температуры воздуха от 17°C до 30°C. С помощью данной кнопки задается необходимая пользователю температура воздуха в помещении.



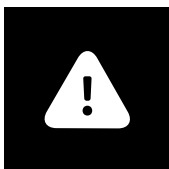
ПРИМЕЧАНИЕ:

Устройство может испарять конденсируемую воду и автоматически сливать ее через шланг.

1. Когда устройство работает в режиме охлаждения, установка дренажной трубки для отвода конденсата не требуется, т.к. конденсат испаряется автоматически. Убедитесь, что когда устройство находится в работе, резиновая заглушка сливного шланга надежно закреплена.
2. При работе в режиме обогрева выньте резиновую заглушку сливного шланга, установите соответствующий сливной шланг, чтобы повысить эффективность обогрева.
3. При работе в режиме осушения выньте резиновую заглушку сливного шланга, установите соответствующий сливной шланг. Отсоедините шланг для выброса воздуха, подсоедините сливной шланг к сливному отверстию и слейте воду из устройства, чтобы обеспечить максимальную эффективность функции осушения. При максимальном уровне воды на LED-дисплее отображается сигнал «P1».

Для возобновления работы снимите резиновую заглушку сливного шланга, чтобы слить воду. После слива воды включите прибор, работа прибора будет возобновлена.

6. ОБСЛУЖИВАНИЕ



ВНИМАНИЕ!

Перед очисткой прибора отключите его от электросети.

1. При чистке кондиционера не пользуйтесь бензином, растворителями и другими химически активными средствами.
2. Во избежание поражения электрическим током и повреждения электрических компонентов не лейте на кондиционер воду из крана или шланга.
3. Не эксплуатируйте кондиционер при поврежденном кабеле электропитания. По вопросу замены поврежденного кабеля обращайтесь в авторизованный сервисный центр.

Воздушный фильтр

Засорение воздушного фильтра частицами пыли снижает эффективность работы кондиционера, поэтому проводите чистку фильтра не реже одного раза в две недели.

Извлечение/установка фильтра

Извлеките воздушный фильтр в направлении, указанном стрелкой. Легко подтолкните, а затем вытащите фильтр из устройства для очистки. (см. рис. 7).

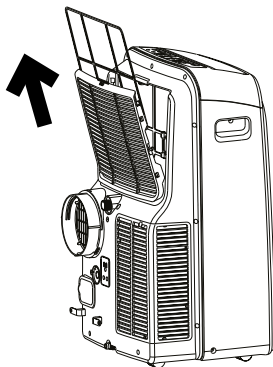


Рис. 7

Установка фильтра производится в обратном порядке.

Чистка фильтра

Сначала аккуратно почистите фильтры с помощью пылесоса. Затем опустите фильтр в теплую воду (с температурой около 40°C) с мягким моющим средством, промойте его и просушите, не подвергая воздействию солнечных лучей.

Воздухозаборные отверстия (теплообменники)

Для очистки пользуйтесь пылесосом.

Корпус

Протрите поверхность влажной тканью и просушите мягкой сухой тканью.

Автоматическое удаление конденсата

Удаление конденсата из прибора происходит автоматически. Влага внутри прибора начинает испаряться и в виде водяного пара удаляется через воздуховод (или решетки для вывода воздуха).

7. СРОК ЭКСПЛУАТАЦИИ

Срок эксплуатации прибора составляет 10 лет при условии соблюдения соответствующих правил по установке и эксплуатации.

Дата изготовления кондиционера указана на приборе в серийном номере.

За дополнительной информацией обращайтесь к продавцу.

8. ПРАВИЛА УТИЛИЗАЦИИ

По истечении срока службы прибор должен подвергаться утилизации в соответствии с нормами, правилами и способами, действующими в месте утилизации.

9. ПОЛЕЗНЫЕ СОВЕТЫ

Поскольку устройство при работе может значительно нагреваться, не устанавливайте его в местах с ограниченным свободным пространством.

В случае опасной утечки тока не пользуйтесь устройством при высокой влажности. Берегите устройство от воздействия прямых солнечных лучей: на нем могут поблекнуть краски.

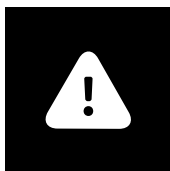
Устройство имеет функцию автоматического отключения по температуре, в этом случае дайте устройству остыть, после чего его можно опять включить в работу.

Не располагайте устройство вблизи предметов, затрудняющих доступ воздуха, например, мебели или занавесок, поскольку это оказывает серьезное влияние на работу устройства. Берегите устройство от воздействия прямых солнечных лучей: это может привести к перегреву и отключению устройства.

ЭЛЕКТРОПИТАНИЕ

Убедитесь в соответствии характеристик сети характеристикам устройства.

Прочно вставляйте штепсель в розетку, чтобы избежать перегрева и возможности возникновения пожара. Не тяните силовой шнур с силой: это может повредить его.



ВНИМАНИЕ!

При высоком уровне влажности понадобится дополнительный отвод конденсата (в этом случае на дисплее загорится символ P1). В этом случае используется емкость для сбора конденсата у основания прибора.

В этом случае руководствуйтесь указаниями, приведенными ниже. При заполнении емкости для сбора конденсата воду необходимо сливать, иначе прибор не будет работать. Сливать конденсат необходимо, открыв нижнюю заглушку у основания прибора (Рис. 8). Но конструкция кондиционеров также позволяет осуществлять непрерывный отвод конденсата без необходимости регулярного удаления влаги из прибора. Для этого необходимо воспользоваться дренажным шлангом и осуществить следующий порядок действий:

1. Подготовить дренажный шланг для отвода конденсата;
2. Вытащить заглушку с обратной стороны прибора;
3. Вставить дренажный шланг в отверстие для слива конденсата;
4. Вывести шланг в дренажную систему для отвода конденсата.

Для постоянного отвода конденсата в условиях повышенного уровня влажности в помещении можно использовать отверстие для постоянного отвода конденсата в центре прибора.

Для этого также необходимо осуществить порядок действий, указанный выше.

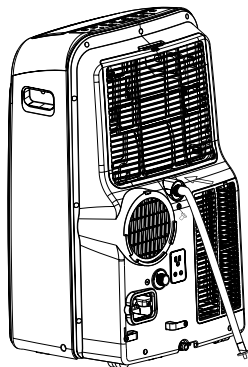


Рис. 8

10. УСТРАНЕНИЕ НЕИСПРАВНОСТЕЙ

Неисправность	Причина	Способ устранения
При нажатии кнопки «Power» кондиционер не включается. Мигает индикатор заполнения P1	Лоток для сбора конденсата заполнен	Слейте воду из лотка
Сильный шум или вибрация	Кондиционер установлен на наклонной или неровной поверхности	Установите кондиционер на ровную горизонтальную поверхность
При работе кондиционера слышен шум, похожий на журчание воды	Шум возникает при движении хладагента по трубам	Это нормальное явление
Недостаточная производительность	Заблокирован вход или выход воздуха из прибора	Убедитесь, что нет препятствий для прохождения воздуха
	Установлена недостаточно низкая влажность	Выберите более низкую влажность на панели управления
	Окна или двери в помещении не закрыты	Закройте окна и двери
	Температура в помещении ниже 5 °C	Дождитесь повышения температуры
	В помещении работает нагреватель парафина или другой источник водяного пара	Дождитесь окончания работы источника водяного пара
Коды ошибок для модели с LED-дисплеем		
E1	Ошибка датчика температуры в помещении	Выньте штепсель из розетки и вставьте снова. Если ошибка не исчезнет – свяжитесь с сервисной службой
E2	Ошибка датчика температуры испарителя	Выньте штепсель из розетки и вставьте снова. Если ошибка не исчезнет – свяжитесь с сервисной службой
E3	Ошибка связи с панелью дисплея	Выньте штепсель из розетки и вставьте снова. Если ошибка не исчезнет – свяжитесь с сервисной службой

Защитные коды для модели с LED-дисплеем

P1

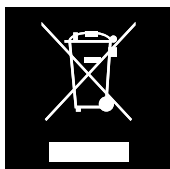
Нижний бак полон

Подсоедините дренажный шланг и слейте собранную воду. Если ошибка не исчезнет – свяжитесь с сервисной службой



ПРИМЕЧАНИЕ:

Если присутствует более одного кода ошибок, приоритетность отображения кодов будет следующей: E4—E2—E1—P1.



Такая маркировка означает, что на территории ЕС утилизация данного изделия совместно с другими бытовыми отходами запрещена. Во избежание ущерба окружающей среде или здоровью окружающих вследствие неконтролируемой утилизации отходов просим сдать это изделие для переработки с целью способствовать рациональному использованию материальных ресурсов. Для возврата использованного вами устройства воспользуйтесь системой сбора и возврата или свяжитесь с торговой точкой, в которой было приобретено это устройство. Они могут принять его для экологически безопасной переработки.



26. |

HYUNDAI

Электрический кондиционер воздуха мобильного типа

11. СЕРТИФИКАЦИЯ

При отсутствии копии нового сертификата в коробке, спрашивайте копию у продавца.



УВАЖАЕМЫЙ ПОКУПАТЕЛЬ!

Мы всегда рады предложить Вашему вниманию удобные пользовательские сервисы и продукты, нацеленные на то, чтобы сделать использование и обслуживание техники Hyundai еще более комфортным и удобным.

Именно поэтому мы рекомендуем Вам воспользоваться услугами специализированного портала www.btport.ru, с помощью которого Вы можете заказать и оформить доставку всех необходимых расходных материалов и запчастей в течение гарантированного срока.

Всю дополнительную информацию о работе портала Вы можете найти на сайте www.hc-hvac.ru



HYUNDAI



Гарантийный талон

Территория действия:
Российская Федерация

Уважаемый покупатель! Обратите особое внимание на стр. 40

Действителен с Января 2014 года



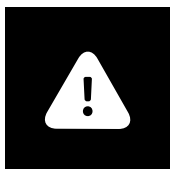
Гарантийные обязательства Бытовое изделие Hyundai

Гарантийное обслуживание и ремонт бытовой техники Hyundai с соблюдением требований и норм Изготовителя (Hyundai) производятся на территории РФ только в фирменных сервисных центрах Изготовителя или мастерских, уполномоченных производителем и работающих с ним на основании договора. Срок проведения экспертизы и гарантийного ремонта - не более 45 дней с момента приемки дефектного изделия авторизованным сервисным центром Hyundai.

Если при эксплуатации изделия Вы столкнулись с неполадками в его работе, которые Вы не можете устранить самостоятельно в строгом соответствии с Руководством по эксплуатации изделия, обратитесь к региональному представителю Изготовителя в России или в региональный авторизованный сервисный центр Hyundai, уточнив адрес у продавца. Полный перечень сервисных центров указан на сайте www.hc-hvac.ru или приложен отдельным списком в комплекте с изделием.

Вы можете обратиться в уполномоченную сервисную службу Изготовителя по телефону **+7 (495) 627-5285**, либо по телефонам, указанным на сайте www.hc-hvac.ru, или отправить сообщение по электронному адресу **service@hc-hvac.ru**

Гарантируется безотказная работа изделия в соответствии со сроками, указанными в гарантийном талоне. Обязательно ознакомьтесь с условиями гарантийных обязательств и требуйте от продавца правильного и четкого заполнения гарантийного талона.



ВНИМАНИЕ!

Сервисная сеть Hyundai рассматривает гарантийные требования при наличии правильно заполненного оригинального гарантийного талона установленного Изготовителем образца, товарного (кассового) чека или другого документа, подтверждающего дату и факт продажи на территории РФ.

Если отсутствие надлежащим образом заполненного гарантийного талона на изделие или отсутствие чека с указанием изделия не позволяет идентифицировать изделие и факт его продажи на территории РФ, то Изготовитель вправе отказать в гарантийном обслуживании изделия.

При невозможности определить дату продажи изделия, гарантийный срок исчисляется с даты его производства.

Дата производства изделия определяется по реестру Изготовителя в соответствии с серийным номером изделия.

На каждое изделие выписывается отдельный гарантийный талон.

Дорогой покупатель техники Hyundai,

мы выражаем Вам огромную признательность за Ваш выбор. Hyundai сделал все возможное, чтобы данное изделие удовлетворяло Вашим запросам, приносило радость и уют в Ваш дом, а качество соответствовало лучшим мировым образцам для данного класса изделия. Официальные сроки службы на изделия Hyundai разных видов, предназначенных для использования в быту, установлены изготовителем:

- для электрических конвекторов - до 20 лет;
- для кондиционеров воздуха, осушителей - 10 лет;
- электрических тепловых пушек и завес - 7 лет;
- инфракрасных обогревателей - 8 лет;

- электрических водонагревателей проточного типа - 3 года;
- электрических водонагревателей накопительного типа - 10 лет;
- остальных изделий - от 3 до 5 лет.

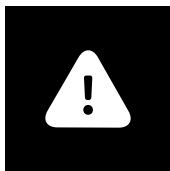
Указанные сроки службы действительны только при условии соблюдения правил эксплуатации и правильного ухода за изделиями.

Полную информацию об официальных сроках службы для выбранной Вами модели Вы сможете найти на сайте www.hc-hvac.ru. Учитывая высокое качество, надежность и степень безопасности продукции Hyundai, фактический срок эксплуатации может значительно превышать официальный.

Заполнение гарантийного талона

Во избежание недоразумений убедительно просим Вас внимательно изучить Руководство по эксплуатации изделия и условия гарантийных обязательств, проверить правильность заполнения гарантийного талона. Согласно требованиям Изготовителя, гарантийный талон действителен только при наличии четко и правильно указанных данных: модели, серийного номера изделия, даты покупки, данных фирмы-продавца, подписи покупателя. Соответствующие данные также должны быть указаны продавцом на отрывных талонах. В отдельных случаях в гарантийном талоне обязательным является указание даты запуска изделия в эксплуатацию и штамп уполномоченной организации, производшей запуск в эксплуатацию (для изделий, требующих монтажа или предпусковой подготовки сертифицированным специалистом в соответствии с Руководством по эксплуатации). При проведении планового профилактического обслуживания изделия (там где это необходимо согласно руководству по эксплуатации) специалист сервисного центра обязан заполнить соответствующую часть гарантийного талона, поставить подпись и печать сервисного центра.

Модель и серийный номер изделия (на маркировочной (идентификационной) наклейке Изготовителя на изделии (ID) должны соответствовать указанным в гарантийном талоне продавцом. При нарушении этих условий, а также в случае, когда данные, указанные в гарантийном талоне, изменены или стерты, талон может быть признан недействительным.



ВНИМАНИЕ!

Производитель рекомендует приобретать приборы Hyundai только у авторизованных продавцов (см. условия на стр. 38-40).

Общие гарантийные условия

Данным гарантийным талоном Изготовитель подтверждает принятие на себя обязательств по удовлетворению законных требований потребителей в случае обнаружения недостатков изделия, возникших по вине Изготовителя в течение установленного гарантийного срока. Сроки действия гарантии на отдельные типы изделий указаны на стр. 38.

Гарантийные обязательства дополняют и уточняют оговоренные законом обязательства, предполагающие соглашение сторон либо договор; выдаются Изготовителем в дополнение к законным правам потребителей и ни в коей мере их не ограничивают.

Гарантия Изготовителя действительна только на территории РФ на изделия, купленные на территории РФ и изготовленные для РФ. Наличие надлежащим образом заполненного гарантийного талона и чека необходимо в целях возможности идентификации таковых изделий и факта их законной продажи на территории РФ.

Изготовитель оставляет за собой право:

- отказать в гарантийном сервисном обслуживании изделия в случае несоблюдения изложенных ниже условий (см. «Досрочное прекращение гарантийного обслуживания»);
- самостоятельно инициировать независимую экспертизу для выяснения обстоятельств, приведших к выходу прибора из строя;
- сравнивать предоставленную маркировочную (идентификационную) наклейку изделия (ID) с данными реестров производства для проверки соответствия серийного номера изделия уникальным производственным номерам реестров.
- предоставлять дополнительную гарантию; информация об условиях дополнительной гарантии содержится на сайте www.hc-hvac.ru.



Просим Вас хранить Гарантийный талон в течение всего гарантийного срока, установленного Изготовителем на приобретенное Вами изделие.

При покупке изделия требуйте от продавца проверку его комплектности и отсутствия механических повреждений в Вашем присутствии, а также правильного и четкого заполнения данного гарантийного талона. Претензии по некомплектности и выявленным механическим повреждениям после продажи не принимаются. Для гарантийного ремонта предъявляйте Гарантийный талон вместе с чеком покупки с указанной датой покупки.



Общие правила установки, подключения и запуска в эксплуатацию изделий, для которых требуется выполнение этих работ специализированными организациями.

Установка, подключение и запуск в эксплуатацию изделий торговой марки Hyundai допускаются исключительно специалистами и организациями, имеющими лицензии или соответствующие разрешения (допуски) на данный вид деятельности, либо специалистами и организациями, авторизованными для монтажа и/или обслуживания данного вида техники. О необходимости проведения тех или иных монтажных и/или сервисных работ специализированными организациями Вы можете узнать, внимательно ознакомившись с Руководством по эксплуатации на приобретенное Вами изделие.

Для монтажа приобретенного оборудования Вы можете воспользоваться платной услугой специалистов авторизованных сервисных центров Hyundai, которые проведут все необходимые работы для длительного и безопасного использования приобретенного Вами изделия. Вы можете также воспользоваться услугами любых других квалифицированных специалистов, однако, в этом случае, если изделие вышло из строя вследствие неправильной установки и подключения, Вы теряете право на бесплатное гарантийное обслуживание.

Досрочное прекращение гарантийного обслуживания.

Все условия гарантийного обслуживания регулируются Законодательством РФ и Законом РФ «О защите прав потребителей». В частности, отказ в бесплатном гарантийном обслуживании изделия может быть вызван:

- нарушением при оформлении гарантийного талона при продаже изделия;

- отсутствием товарного или кассового чека о продаже изделия или невозможностью определить продавца изделия;
- наличием следов механических повреждений, возникших после передачи изделия потребителю и явившихся возможной причиной возникновения дефекта;
- наличием повреждений, вызванных несоответствием стандартам параметров питающих сетей и других подобных внешних факторов, а также вызванных использованием нестандартных, неоригинальных (или некачественных) аксессуаров, принадлежностей, запасных частей, элементов и т.д.;
- нарушением правил Руководства по эксплуатации данного изделия;
- наличием следов несанкционированного вскрытия и/или ремонта изделия (за исключением случаев, предусмотренных Руководством по эксплуатации), повлекших за собой отказ в работе изделия;
- дефектом или отказом системы или ее части, где изделие использовалось как часть системы и это могло привести к дефекту или отказу изделия.



ВНИМАНИЕ!

Если в результате экспертизы/диагностики изделия установлено, что его недостатки возникли вследствие обстоятельств, за которые не отвечает продавец (изготовитель), либо недостатки в товаре отсутствуют, Потребитель обязан возместить продавцу (изготовителю или уполномоченной изготовителем организации) расходы на проведение экспертизы (диагностики, а также связанные с ее проведением расходы на хранение и транспортировку товара) в соответствии с Законом РФ «О защите прав потребителей» № 171-ФЗ в ред. от 21.12.2004 ст. 18 п.5.



Гарантийные обязательства не распространяются на перечисленные ниже части и принадлежности изделия, если их замена не связана с разборкой самого изделия или их замена требуется при профилактическом обслуживании:

- внешние блоки питания и зарядные устройства;
- соединительные герметизирующие прокладки, переходники и переключатели;
- монтажные приспособления, инструмент и документацию, прилагаемую к изделию.
- расходные части изделия, подразумевающие периодическую замену за счет потребителя (анодные стержни, герметизирующие прокладки, фильтрующие элементы и др.);
- части и узлы изделия, неисправность которых связана с естественным износом в процессе эксплуатации (фильтрующие элементы, приводные ремни, ролики, свечи зажигания, втулки, подшипники и т.д.);
- материалы, наклеенные на изделие, имеющие рекламное или информационное назначение, за исключением маркировочной (идентификационной) наклейки Изготовителя (ID).



ВНИМАНИЕ!

Если маркировочная (идентификационная) наклейка на изделие Hyundai (ID) закреплена на изделии не плотно и существует риск ее утери, то вклейте ее в гарантийный талон на последней странице.

Изготовитель не несет гарантийных обязательств за изделие в следующих случаях:

- если изделие использовалось в иных целях, не соответствующих его прямому назначению в соответствии с Руководством по эксплуатации;
- если на изделии отсутствует маркировочная (идентификационная) табличка Изготовителя (ID);
- если изделие имеет следы несанкционированного вскрытия, не предусмотренного Руководством по эксплуатации, и попыток неквалифицированного ремонта;
- если дефект вызван изменением/нарушением конструкции или схемы изделия, не предусмотренным Изготовителем;
- если обнаружены повреждения, вызванные попаданием внутрь изделия посторонних предметов, веществ, жидкостей, насекомых, скоплением большого количества пыли;
- если обнаружены повреждения, связанные с замерзанием внутри прибора жидкостей, отложением накипи на нагревательных элементах и внутренних поверхностях прибора, вызванных большим содержанием в воде солей железа, натрия, кальция, марганца и др.;
- если обнаружены повреждения, вызванные подключением к сетям (электрической, водопроводной) с недопустимыми параметрами;
- если дефект вызван действием непреодолимых сил, несчастными случаями, умышленными или неосторожными действиями потребителя или третьих лиц;
- если нарушены требования Изготовителя по проведению обязательных для сохранения гарантии и продления срока службы профилактических работ, описанных в Руководстве по эксплуатации;
- неправильного хранения (консервации / разборки-сборки на период хранения) изделия;
- если монтаж и использование изделия производится без разрешительной документации исполнительных органов власти субъектов РФ там, где подобная документация требуется в соответствии с требованиями законодательства РФ (в т.ч. Жилищного Кодекса РФ);
- в случае эксплуатации изделия с неправильно отрегулированными газовыми клапанами, газовыми или гидравлическими редукторами, прочими блоками и устройствами, требующими предварительной и/или периодической настройки и регулировки (если данные виды работ производились неуполномоченными на то организациями или лицами, либо были нарушены сроки проведения плановых регламентных/профилактических работ согласно Руководству по эксплуатации).

Изготовитель снимает с себя любую ответственность за возможный вред, прямо и или косвенно нанесенный продукцией Hyundai людям, домашним животным, и имуществу, в случаях, если это произошло в результате несоблюдения правил и условий эксплуатации или вследствие неквалифицированной установки (профилактики, обслуживания, ремонта) изделия, умышленных или неосторожных действий потребителя или третьих лиц.

Особые условия гарантийного обслуживания для отдельных типов техники.

Газовое оборудование

Гарантия Изготовителя имеет силу только в случае установки, подключения и пуска в эксплуатацию газового оборудования (газовые котлы, обогреватели и водонагреватели) авторизованной специализированной организацией с обязательным составлением Акта запуска в эксплуатацию и указанием в гарантийном талоне даты запуска и штампа организации, произведшей первый запуск. Исключение составляют изделия, для которых Руководством по эксплуатации предусмотрены самостоятельные установка, подключение и



запуск в эксплуатацию самим потребителем.

Организация, производящая запуск в эксплуатацию и/или последующее сервисное обслуживание газового оборудования, должна иметь лицензии и/или разрешения на соответствующий вид деятельности (вид работ), а специалисты этой организации должны иметь соответствующие удостоверения (допуски) на проведение газовых работ.



Помните!

Изготовитель/импортер/продавец не несет ответственности в случае возникновения недостатков изделия из-за неправильных/некачественных монтажных, пусконаладочных, сервисных, профилактических работ неавторизованными организациями и специалистами.

Водонагревательное оборудование

Гарантийные обязательства Изготовителя не распространяются на случаи:

- если обнаружены повреждения, связанные с замерзанием внутри прибора жидкостей, отложением накипи на нагревательных элементах и внутренних поверхностях прибора, вызванных большим содержанием в воде солей железа, натрия, кальция, марганца и др.;
- если обнаружены повреждения, вызванные подключением к сетям (электрической, водопроводной) с недопустимыми параметрами, даже в случае кратковременного и однократного превышения параметров, указанных на маркировочной табличке Изготовителя на приборе и в Руководстве по эксплуатации на изделие;
- если водонагреватель эксплуатировался без защитных устройств или совместно с устройствами, имеющими не соответствующие водонагревателю технические характеристики и/или не рекомендованными Изготовителем (см. на сайте www.hc-hvac.ru или в Руководстве по эксплуатации);
- если обнаружены повреждения внутренних эмалированных емкостей из-за коррозии вследствие несвоевременной замены анодного стержня;
- если прибор вышел из строя в случае неиспользования потребителем умягчителя воды в районах, где вода по жесткости отличается от нормативов, принятых Изготовителем (см. на сайте www.hc-hvac.ru или в Руководстве по эксплуатации).

Таблица 1

Рекомендуемые профилактические работы для увеличения срока гарантии на внутреннюю ёмкость водонагревателя и нагревательный(-е) элемент (-ы), а также для выполнения условия долговременной работы водонагревателя в рамках заявленного срока службы и более.

Наименование рекомендуемых профилактических работ	Периодичность выполнения рекомендуемых профилактических работ для увеличения гарантии на нагревательный (-е) элемент (-ы)	Периодичность выполнения рекомендуемых профилактических работ для увеличения гарантии на внутреннюю ёмкость
Первоначальная проверка наличия и интенсивности образования накипи на нагревательном (-ых) элементе (-ах), определение сроков последующей проверки и удаления накипи, а также при необходимости удаление накипи с нагревательного (-ых) элемента (-ов).	Через первые 0,5 года после начала эксплуатации	-
Удаление накипи с нагревательного (-ых) элемента (-ов).	Не реже 1 раза в год или чаще в зависимости от определения интенсивности образования накипи на нагревательном (-ых) элементе (-ах), при первоначальной проверке.	-
Первоначальная проверка интенсивности образования накипи и осадка во внутренней ёмкости, определение сроков последующей проверки и очистки водонагревателя, а также при необходимости очистка водонагревателя.	-	Через первые 0,5 года после начала эксплуатации
Очистка внутренней емкости водонагревателя.	Не реже 1 раза в год или чаще в зависимости от определения интенсивности образования накипи и осадка во внутренней ёмкости, при первоначальной проверке.	Не реже 1 раза в год или чаще в зависимости от определения интенсивности образования накипи и осадка во внутренней ёмкости, при первоначальной проверке.



Первоначальная проверка состояния магниевого анода, интенсивности его разложения, определения сроков последующей проверки и замены магниевого анода, а также при необходимости его замены.	Через первые 0,5 года после начала эксплуатации	Через первые 0,5 года после начала эксплуатации
Замена магниевого анода.	Не реже 1 раза в год или чаще в зависимости от определения интенсивности разложения магниевого анода, при первоначальной проверке.	Не реже 1 раза в год или чаще в зависимости от определения интенсивности разложения магниевого анода, при первоначальной проверке.

ПРИМЕЧАНИЕ:

Периодичность профилактического обслуживания, а также сроки замены анодного стержня для водонагревателей устанавливается мастером авторизованного сервисного центра при первом плановом обслуживании и определяется исходя из условий эксплуатации водонагревателя, жесткости и степени загрязненности воды. При проведении работ специалистом сервисного центра должна быть произведена соответствующая отметка в гарантийном талоне. При самостоятельном проведении замены анодного стержня владелец должен сохранять чеки на покупку анодного стержня.



Кондиционеры, устройства с компрессором

Гарантийные обязательства Изготовителя не распространяются на случаи:

- если покупатель самостоятельно без учета рекомендаций Изготовителя и продавца купил кондиционер надлежащего качества и установил в помещении, для которого изделие не подходит по своим техническим характеристикам;
- некачественного монтажа неавторизованной организацией/частными лицами, если не была правильно проведена вакуумизация трубопроводов, была проведена заправка недостаточного количества хладагента или допущены другие ошибки при монтаже (перегиб трубопроводов,
- негоризонтальное расположение блоков, нарушение допустимых перепадов высот установки между блоками и т.д.);
- эксплуатации изделия в недопустимых условиях и с нарушением режимов работы, прописанных в Руководстве по эксплуатации (например, использование режима обогрева сплит-системой при наружной температуре ниже -5°C без специального предохранительного от низкой температуры комплекта);
- если неисправность была вызвана нарушением сроков периодического обслуживания изделия;
- если неисправность была вызвана сильными загрязнениями фильтров и/или испарителя/конденсатора пылью, листвой, насекомыми и другими предметами.

Таблица 1

Рекомендуемые профилактические работы для увеличения срока гарантии на компрессор кондиционера, а также для выполнения условия долговременной работы кондиционера, в рамках заявленного срока службы и более.

Наименование рекомендуемых профилактических работ	Для бытовых помещений		Для офисных помещений		Для торговых помещений	
	Рекомендуемый интервал	Рекомендуемые сроки	Рекомендуемый интервал	Рекомендуемые сроки	Рекомендуемый интервал	Рекомендуемые сроки
Чистка теплообменников внешнего и внутреннего блоков						
Мойка ванны для сбора конденсата						
Продувка трубопровода конденсата	Не реже 1-го раза в год	Июль	Не реже 2-х раз в год	Май, август	Не реже 3-х раз в год	Май, июль, сентябрь
Общая проверка системы						
Дозаправка (при необходимости)						



Электрические обогреватели

- Гарантийные обязательства Изготовителя не распространяются на случаи:
- если обогреватель эксплуатировался в положении, отличном от указанного в Руководстве по эксплуатации на данный прибор;
- если неисправность изделия возникла в результате попадания внутрь изделия посторонних предметов, веществ, жидкостей, насекомых, скоплением большого количества пыли;
- если в процессе эксплуатации был затруднен проход воздуха через вентиляционные отверстия и решетки (например, прибор накрывался какими-либо предметами, шторами, производилась сушка одежды без использования специальных, предусмотренных Изготовителем в Руководстве по эксплуатации устройств, большое скопление пыли снаружи и внутри прибора и т.д.)



ВНИМАНИЕ!

Если вы устанавливаете электрический конвектор без защиты от опрокидывания на ножки, то гарантия на прибор считается аннулированной, и потребитель осуществляет ремонт прибора полностью за свой счет. Электрические конвекторы с защитой от опрокидывания имеют специальную информацию на упаковочной коробке, также эта информация содержится в инструкции по эксплуатации прибора.



ВНИМАНИЕ!

Пожалуйста, потребуйте от продавца полностью, четко и правильно заполнить бланк Гарантийного талона.

Стандартные гарантийные сроки для изделий, произведенных начиная с 01.01.2014 и имеющих ID установленной формы (см. рис. 1):

EN

- электрические кондиционеры воздуха, осушители воздуха, электрические маслонаполненные радиаторы, тепловые пушки, завесы - 2 года;
- электрические конвекторы, конвекционные радиаторы, панели, прочие электрические и газовые приборы (в т.ч. водонагреватели) - 1 год.

В части гарантии действуют дополнительные нормы, увеличивающие срок гарантии для различных компонентов ряда изделий:

Накопительные водонагреватели:

- Гарантия на течь емкости баков объемом более 30 литров включительно - 2 года (5 лет*);
- гарантия на течь емкости баков объемом менее 30 литров - 2 года (3 года*);
- гарантия на нагревательные элементы - 3 года*

Электрические конвекторы:

- нагревательный элемент серии - 3 года*

Кондиционеры воздуха:

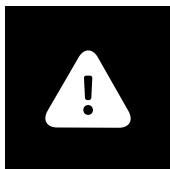
- компрессор сплит-систем - 3 года*

* - **увеличенная гарантия** на отдельные компоненты и узлы изделий действует только при условии регулярного проведения периодического обслуживания изделия специалистами авторизованного сервисного центра. После каждого обслуживания в гарантийном талоне должны проставляться печати сервисного центра, подтверждающие факт прохождения

обслуживания. Если пользователь пропускает хотя бы одно обслуживание, то увеличенная гарантия на указанный компонент перестает действовать, и гарантия остается стандартной, как на весь прибор в целом. Перечень профилактических работ, а также примерные сроки прохождения периодического обслуживания, указаны в таблицах 1 и 2.



Рис. 1



ВНИМАНИЕ!

Техническое (профилактическое) обслуживание изделия (в т.ч. замена магниевго анода водонагревателя) не входит в гарантийные обязательства изготовителя и продавца и является дополнительной платной услугой.



Для ряда территорий могут действовать исключительные правила гарантии, увеличивающие срок на изделие или компоненты. Такие правила устанавливаются только по распоряжению Производителя официальным письмом Производителя.



ВНИМАНИЕ!

Если изделие использовалось в соответствии с его целями применения, установленными Руководством по эксплуатации, в рамках осуществления предпринимательской деятельности, то гарантийный срок изделия составляет 3 (три) месяца с момента продажи изделия или 5 (пять) месяцев с момента производства изделия, если дата продажи не установлена*. Срок проведения экспертизы и гарантийного ремонта - не более 45 дней с момента приемки дефектного изделия авторизованным сервисным центром Hyundai.



ВНИМАНИЕ!

Большинство приборов торговой марки Hyundai требуют профессиональных консультаций со специалистами соответствующей квалификации в процессе подбора, а также при вводе их в эксплуатацию. Производитель рекомендует приобретать приборы Hyundai только у авторизированных им продавцов. В предоставлении дополнительной гарантии может быть отказано, если прибор Hyundai был приобретен у продавцов, указанных в соответствующем разделе на сайте www.hc-hvac.ru, не исполняющих полностью или частично требований производителя к правилам обслуживания покупателей, а также требований производителя к предоставлению стандартных условий приобретения приборов Hyundai.

* Кроме кондиционеров воздуха, смотри стр. 36

Покупатель информирован о том, что он не вправе требовать возврата или обмена купленного изделия в порядке статьи 25 Закона «О защите прав потребителей» и статьи 502 Гражданского Кодекса РФ в соответствии с п.11 «Перечня непродовольственных товаров надлежащего качества, не подлежащих возврату или обмену на аналогичный товар другого размера, формы, габарита, фасона, расцветки или комплектации» Постановления Правительства РФ от 19.01.1998 г. №55.

Подписывая данный гарантийный талон, Покупатель признает, что он:

1. Проверил заполнение информации на стр. 41
2. Получил Руководство по эксплуатации на изделие на русском языке.
3. Владеет всей необходимой информацией о приобретенном изделии и его потребительских свойствах, характеристиках в соответствии со статьей 10 Закона РФ «О защите прав потребителей».
4. Ознакомлен и полностью согласен с условиями и ограничениями гарантийного обслуживания, а также с условиями установки / подключения / сервисного обслуживания / эксплуатации приобретенного изделия.
5. Не имеет претензий к внешнему виду / комплектности / работоспособности (если прибор проверялся в его присутствии при продаже) приобретенного изделия.

EN

Подпись покупателя (с расшифровкой)

_____ / _____

Дата

Гарантийный талон



ВНИМАНИЕ!

Пожалуйста, потребуйте от продавца полностью заполнить гарантийный талон и отрывные талоны.

Заполняется фирмой-продавцом

Изделие
Модель
Серийный номер
Дата продажи
Фирма-продавец
Адрес фирмы-продавца
Телефон фирмы-продавца

Без подписи покупателя на странице 40 Гарантийный талон является недействительным.

Заполняется установщиком

Сведения об установке изделия

Фирма-установщик
Номер сертификата
Дата установки
Мастер

HYUNDAI

Печать
фирмы
-продавца

Заполняется сервисным центром

«А»

Дата приема

Дата выдачи

Особые отметки

Печать
сервисного
центра

«Б»

Дата приема

Дата выдачи

Особые отметки

Печать
сервисного
центра

«В»

Дата приема

Дата выдачи

Особые отметки

Печать
сервисного
центра

«Г»

Дата приема

Дата выдачи

Особые отметки

Печать
сервисного
центра

Дата приема	
Дата выдачи	
Особые отметки	
Номер заказа-наряда	
Проявление дефекта	
Мастер	Печать
Код неисправности	сервисного
	Заполняется сервисным центром	центра

Дата приема	
Дата выдачи	
Особые отметки	
Номер заказа-наряда	
Проявление дефекта	
Мастер	Печать
Код неисправности	сервисного
	Заполняется сервисным центром	центра

Дата приема	
Дата выдачи	
Особые отметки	
Номер заказа-наряда	
Проявление дефекта	
Мастер	Печать
Код неисправности	сервисного
	Заполняется сервисным центром	центра

Дата приема	
Дата выдачи	
Особые отметки	
Номер заказа-наряда	
Проявление дефекта	
Мастер	Печать
Код неисправности	сервисного
	Заполняется сервисным центром	центра

Отрывной талон «А»

Изделие	HYUNDAI
Модель	
Серийный номер	
Дата продажи	
Фирма-продавец	Печать сервисного центра
Заполняется фирмой-продавцом		

Отрывной талон «Б»

Дата приема	HYUNDAI
Дата выдачи	
Особые отметки	
Номер заказа-наряда	
Проявление дефекта	
Мастер	Печать сервисного центра
Код неисправности	
Заполняется фирмой-продавцом		

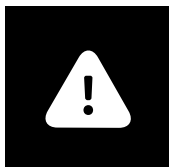
Отрывной талон «В»

Дата приема	HYUNDAI
Дата выдачи	
Особые отметки	
Номер заказа-наряда	
Проявление дефекта	
Мастер	Печать сервисного центра
Код неисправности	
Заполняется фирмой-продавцом		

Отрывной талон «Г»

Дата приема	HYUNDAI
Дата выдачи	
Особые отметки	
Номер заказа-наряда	
Проявление дефекта	
Мастер	Печать сервисного центра
Код неисправности	
Заполняется фирмой-продавцом		

Страна	Наименование сервисного центра	Код города	Телефон	Фактический адрес, электронный адрес	Примечание
Россия	ООО «Авангард Холго»	(495)	710-71-72, 627-52-85	г. Москва, Ленинградское ш., д. 57, корп.12, 2 этаж service@hc-hvac.ru	Единая сервисно-информационная служба на территории России.
Казахстан				kz.service@hyundai-hvac.com	
Белорусия				by.service@hyundai-hvac.com	



Вниманию покупателей!



Список сервисных центров Hyundai может быть дополнен или изменен без специального предварительного уведомления. Информация регулярно обновляется на сайте www.hc-hvac.ru, в разделе «Сервис».

Также вы всегда можете задать свои вопросы, касающиеся сервисного обслуживания техники Hyundai, позвонив по телефону +7 (495) 627-5285.

Если у вас возникли претензии к работе сервисного центра Hyundai в вашем городе, просьба информировать об этом Генерального сервисного партнера Hyundai по телефону +7 (495) 627-5285 или электронной почте service@hc-hvac.ru своевременно. Также мы будем благодарны, если вы сообщите нам о некорректных данных (адрес, контактный телефон, название и т.п.) сервисного центра Hyundai в вашем городе, указанного в этой специальной информационной вкладке.

Ваши пожелания помогут нам организовать сервисную поддержку техники Hyundai на более высоком уровне.

Спасибо за сотрудничество!



KO 제품 품질 보증 쿠폰은 해당 지역 디스트리뷰터에 요청하시기 바랍니다.



EN Ask distributor of your region for Warranty Coupon of a product.



ES Pida la garantía al distribuidor en su país.



KZ Бұйымның кепілдік талонын сатылған ел аумағындағы дистрибьютордан сұрастырыңыз.



BY Гарантыйны талон на выраб запытваць у дыстрыбутара на тэрыторыі краіны продажу.

HYUNDAI

Licensed by Hyundai Corporation, Korea

www.hyundai-hvac.com



EAC CE