

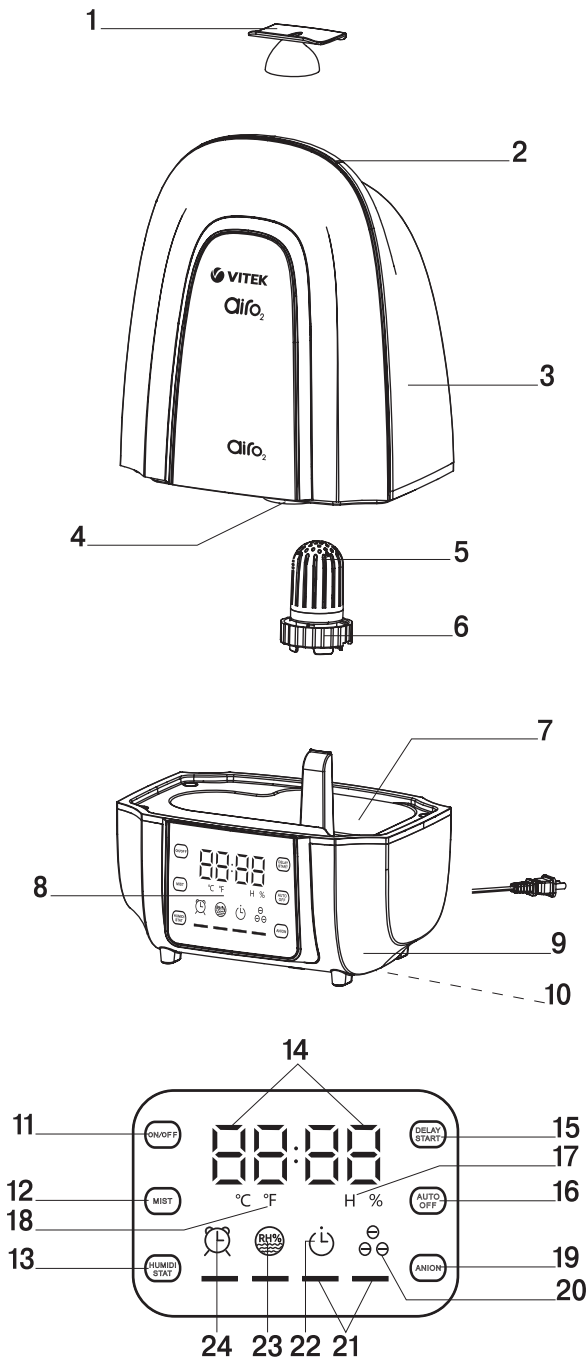
VT-2342

Humidifier

Увлажнитель

Инструкция по эксплуатации

GB Manual instruction	3
RUS Инструкция по эксплуатации	8
KZ Пайдалану нұсқасы	14
UA Інструкція з експлуатації	20
KG Пайдалануу боюнча нускама	26



HUMIDIFIER VT-2342

Insufficient room humidity negatively affects humans' and pets' health as well as plants and furniture. The recommended comfortable room humidity level is from 40% to 60%.

The humidifier allows you to improve the air quality in the room.

DESCRIPTION

1. Lid with mist release nozzle
2. Water tank carrying handle
3. Water tank
4. Mineral filter
5. Water inlet
6. Water tank lid
7. Process chamber with «sprayer»
8. Control panel
9. Body
10. Air inlet grid and foam filter

Control panel (8)

11. "ON/OFF" button
12. «Mist» release intensity button «MIST»
13. Relative air humidity setting button «HUMIDI STAT»
14. Relative humidity/temperature/delayed start time/auto switch-off time digits
15. Delayed start time setting button «DELAY START»
16. Auto switch-off time setting button «AUTO OFF»
17. Time/relative humidity symbols "H, %"
18. Temperature measurement unit symbols «C°, F°»
19. Ionization mode on button «ANION»
20. "Ionization" mode active symbol
21. Mist release intensity symbols
22. "Auto switch-off" mode active symbol
23. Maintaining relative humidity mode active symbol
24. "Delayed start" mode active symbol

SAFETY MEASURES

Before using the electrical unit, read this instruction manual carefully and keep it for future reference.

Use the unit for its intended purpose only, as specified in this manual. Mishandling of the unit may lead to its breakage and cause harm to the user or damage to his/her property.

- Before switching the unit on, make sure that voltage of the mains corresponds to unit operating voltage.
- Place the unit on a flat, moisture-resistant surface. The distance to the walls, other furniture and interior objects should be at least 30 cm.

- Do not place the unit on carpet surfaces with high pile.
 - Do not place the air humidifier in places exposed to direct sunlight, high temperatures, near computers or other sensitive electronic appliances.
 - Do not use the unit outdoors.
 - Use the supplied removable parts only.
 - Do not operate the unit without water; switch the unit off when the water tank is empty.
 - Do not use soda or dirty water or any perfume additives.
 - Water temperature should not exceed +40°C.
 - Do not switch the unit on if the water tank is not installed.
 - Unplug the unit before removing the water tank.
 - Do not cover the unit.
 - Do not cover the openings on the unit body and avoid getting of foreign objects inside them.
 - Do not immerse the unit body, the power plug or the power cord into water or any other liquids.
 - Do not move or tilt the unit during the operation and do not remove the water tank.
 - Always unplug the unit and pour out water from the water tank and the process chamber before cleaning or if you do not use the air humidifier.
 - Before moving the unit to another place, unplug it and pour out water from the water tank and the process chamber. When carrying the unit, hold it by the body with both hands.
 - Do not touch the power plug with wet hands.
 - Clean the unit regularly.
 - Do not allow children to touch the unit body and the power cord during operation.
 - This unit is not intended for usage by children.
 - The unit is not intended for usage by physically or mentally disabled persons (including children) or by persons lacking experience or knowledge if they are not under supervision of a person who is responsible for their safety or if they are not instructed by this person on the usage of the unit.
 - Do not leave children unattended to prevent using the unit as a toy.
 - For children safety reasons do not leave polyethylene bags, used as packaging, unattended.
- Attention!** Do not allow children to play with polyethylene bags or packaging film. **Danger of suffocation!**
- Never pull the power cord when disconnecting the unit from the mains; take the power plug and carefully pull it out of the mains socket.
 - If the power cord is damaged, it should be replaced by the manufacturer, a maintenance

ENGLISH

- service or similar qualified personnel to avoid danger.
- Do not attempt to repair the unit. Do not disassemble the unit by yourself, if any malfunction is detected or after it was dropped, unplug the unit and apply to any authorized service center from the contact address list given in the warranty certificate and on the website www.vitek.ru.
 - Transport the unit in the original package only.
 - Keep the unit out of reach of children and disabled persons.

THE UNIT IS INTENDED FOR HOUSEHOLD USE ONLY, ITS COMMERCIAL USAGE AND USAGE IN PRODUCTION AREAS AND WORK SPACES IS PROHIBITED.

BEFORE THE FIRST USE

After unit transportation or storage at low temperature keep it for at least three hours at room temperature.

There may be water spots in the air humidifier, this is normal, as the unit has undergone quality control.

- Unpack the air humidifier, remove packaging materials and any promo-stickers that can prevent the unit operation. Check the unit for damages. Do not switch the air humidifier on in case of damages.
- Before plugging the unit in make sure that your home mains voltage corresponds to the unit operating voltage.
- The unit is intended for operation in an AC power network with the frequency of 50 Hz or 60 Hz, it does not need any additional settings to operate with the required nominal frequency.

Notes:

- use the air humidifier at the room temperature from +10°C to +40°C, and relative humidity less than 80%.
- water temperature should not exceed +40°C.

USING THE AIR HUMIDIFIER

Notes:

- the operation mode selection and setting buttons are sensory, you just need to touch the button to switch the necessary operation mode on, every touch of the active button is accompanied by a sound signal.
- Remove the lid with nozzle (1).
- Take the water tank (3) by the handle (2) and remove it from the unit body (9).

- Turn over the tank (3), open the lid (6) rotating it counterclockwise.
- Fill the tank (3) with necessary amount of water, insert the lid (6) into the water inlet (4) and screw it rotating it clockwise.
- First place the filled water tank (3) back to its place and then install the lid with nozzle (1).
- Wait till the process chamber (7) is filled with water.

Notes:

- before the first use it is recommended to put the mineral filter (5) into a container filled with water of room temperature for several minutes.
- remove the filter (5) from the lid (6) turning it counterclockwise, put the filter (5) into a container filled with water for several minutes, take the filter out of the water and drain the remaining water, then install it back on the lid (6), and turn it clockwise as far as it will go.
- Insert the plug of power cord into the socket, you will hear a sound signal and the room temperature and relative humidity digits (14) and the symbols (17, 18) will appear on the control panel (8).

Notes: - to choose the temperature measurement units "C° or F°", press and hold down the "ionization" mode ON-button (19), you will hear a sound signal, and the temperature measurement units will change, the temperature measurement units are shown by symbols (18).

- Switch the unit on by touching the on/off button (11) «ON/OFF», you will hear a sound signal, the unit will operate at minimum mist release intensity, one mist release intensity symbol (21) will light up.
- To switch the air humidifier off, touch the button (11) «ON/OFF» again.
- Unplug the unit.

Notes:

- the humidity level readings may be slightly different from the readings of another hygrometer.
- the humidity level readings depend on the room air temperature.
- draughts or other air flows may significantly affect the air humidity and temperature readings in the room.

OPERATION MODE CONTROL BUTTONS

On/off button «ON/OFF» (11)

- Touch the button (11) to switch the unit on and touch the button (11) again to switch the unit off.

«Mist» release intensity button «MIST» (12)

- Repeatedly touch the button (12) to select the mist release intensity, the mist release intensity is shown with symbols (21).

Relative air humidity setting button «HUMIDI STAT» (13)

Relative humidity is the ratio of the mass content of water vapour in the air to the maximum possible mass at the given temperature; relative humidity is measured in percent and is indicated, for example, as “45%”.

Atmosphere air always contains water vapour, percentage of which depends on meteorological conditions; the higher the temperature, the more water vapour is contained in the air. When cold air is heated up to comfort temperature in winter, relative percentage of water vapour decreases, this is what relative humidity is.

To maintain comfortable room conditions, water or water vapour must be artificially added to the ambient air – this is what the air humidifier is necessary for.

Comfortable relative humidity for humans is “45-65%”; “40-55%” for preventive and medicinal purposes; for furniture, musical instruments and libraries it is recommended to maintain relative air humidity of “40-60%”.

- Switch the air humidifier on and set the necessary level of mist release intensity.
- Repeatedly touch the button (13) to set the desired level of relative humidity in the room within the range from 40% to 95% with the step of 5%, the humidity level is shown with the digits (14) and the symbol (23).
- When the set humidity level is reached, the mist release will be switched off, the mist release intensity symbols (21) will go out; when the air humidity level decreases, the mist release will be switched on and the mist release intensity symbols (21) will light up.
- To switch the selected humidity maintenance mode off, touch the button (13) until the symbol (23) goes out, and the digits (14) will show room relative humidity and temperature.

Delayed start time setting button «DELAY START» (15)

- Switch the air humidifier on and set the necessary level of mist release intensity.
- Touch the button (15), the digits (14) will show the “delayed start” time “01:00” and the symbol (17) “H” will light up. Repeatedly touch the

button (15) to set the “delayed start” time within the range from 1 to 24 hours, the setting step is 1 hour, after setting the “delayed start” time, the separation dots “:” will start to flash and count-down of the time left before the switching on the air humidifier will start, the digits (14) and the symbol (17) “H” will show the remaining time.

- To reset the “delayed start” time, touch once the “ON/OFF” button (11), the air humidifier will switch on and will operate with the previously set settings.

Auto switch-off time setting button «AUTO OFF» (16)

- Switch the air humidifier on and set the necessary level of mist release intensity.
- Touch the button (16), the digits (14) will show the “auto switch-off” time “01:00” and the symbol (17) “H” will light up. Repeatedly touch the button (16) to set the “auto switch-off” time within the range from 1 to 24 hours, the setting step is 1 hour, after setting the “auto switch off” time, the separation dots “:” will start flashing and count-down of the time left before the switching-off the air humidifier, will start, the digits (14) will show the relative humidity/temperature/remaining air humidifier operation time.
- To reset the “auto switch-off” time, repeatedly touch the button (16) until the “delayed start” time is reset, after that the air humidifier will switch on and will operate with the previously set settings.

Ionization mode on button «ANION» (19)

- After you touch the button (19), the negative ion generator will be switched on and the symbol (20) will light up.
- To switch the ionization mode off, touch the button (19) again, the symbol (20) will go out.
- To choose the temperature measurement units “C° or F°”, press and hold down the “ionization” mode ON-button (19), you will hear a sound signal, and the temperature measurement units will change, the measurement units are shown by symbols (18) “C°, F°”.

Low water level indication

- When the tank (3) is empty, the unit will switch off, you will hear sound signals, mist release intensity symbols (21) will light up red.
- Switch the unit off by touching the button (11), remove the plug of the power cord from the mains socket, remove the lid with nozzle (1)

ENGLISH

and the water tank (3). Fill the tank (3) with water (see chapter "Using the air humidifier"). First install the filled water tank (3) on the air humidifier body (9) and then install the lid with nozzle (1).

- Switch the unit on for further operation.

CLEANING AND CARE

WARNING! Always switch the air humidifier off and unplug it before cleaning.

Hard water causes appearance of mineral scale in the process chamber (7) and in the water tank (3) that leads to improper operation of the unit. To avoid it:

- use filtered, boiled and settled water. If tap water is hard, it is recommended to mix tap water with distilled water in proportion 1:1. If tap water is very hard, mix it with distilled water in proportion 1:2 or use distilled water only.
- Using of water with high content of minerals may lead to white deposits on surfaces near the air humidifier and it is not a sign of malfunction of the air humidifier.
- Change water in the water tank (3) twice a week.
- Thoroughly wash the process chamber (7) and the water tank (3) with neutral detergent solution twice a week.
- To clean the "sprayer", add 5-10 drops of detergent on it and wait for approximately 10-15 minutes. Remove the scale from the sprayer surface and then wash the process chamber (7) with neutral detergent solution.
- Rinse the process chamber (7) and the water tank (3) several times. Wipe the process chamber (7) with a soft cloth.
- Clean the air humidifier body (9) with a soft, slightly damp cloth, and then wipe it dry.
- Remove and clean the air inlet grid (9a 10) and the foam filter as it becomes dirty.

Notes:

- do not immerse the air humidifier body into water or any other liquids.
- do not use abrasives and solvents for cleaning the "sprayer".
- as a cleaning agent for the "sprayer" you can use a descaling agent for kettles, strictly following the instruction for this substance.

Mineral filter (5)

The mineral filter purifies water of admixtures, heavy metal ions, bacteria, removes a foreign smell, prevents appearance of white deposits near the operating air humidifier.

Cleaning the mineral filter

- It is recommended to wash the mineral filter (5) once a month, and when using "hard water", 2-3 times a month.
- Remove the water tank (3), unscrew the lid (6) and remove it, remove the mineral filter (5), turning it counterclockwise.
- Wash the filter (5) under running water jet.
- Install the mineral filter (5) on the lid (6) rotating it clockwise.

STORAGE

- Pour the water out of the tank and make sure that the process chamber (7) and the "sprayer" are dry before taking the unit away for storage.
- Do not keep the air humidifier with water inside the tank (3) or the process chamber (7).
- Before taking the mineral filter (5) away for storage, clean it and dry; keep the filter (5) in a darkened cool place.
- Keep the air humidifier in a dry cool place away from children and disabled persons.

TROUBLESHOOTING

Malfunction	Possible causes	Troubleshooting
No "mist"	The unit is connected improperly	Check if the power plug is inserted into the mains socket.
	The unit is off	Switch the unit on by pressing the button (11).
	Water tank is empty or there isn't enough water in the tank.	Fill the water tank with enough water.
Foreign smell appears during the operation	First use	Disconnect the unit from the mains. Remove the water tank, unscrew the lid (6) and pour the water out of the water tank, then leave the water tank in a dry cool place for 12 hours.

Malfunction	Possible causes	Troubleshooting
Foreign smell appears during the operation	Dirty or stale water	Unplug the unit, remove the water tank, unscrew the lid (6), pour the water out of the water tank and clean the tank (as described in the chapter "Cleaning and care"), then fill it with clean water.
Foreign noise	The water tank is installed improperly.	Make sure that the water tank is installed properly.
	Not enough water in the tank	Fill the water tank with enough water.
	The unit is placed on an uneven surface.	Place the unit on a flat steady surface.

DELIVERY SET

Air humidifier – 1 pc.

Instruction manual – 1 pc.

TECHNICAL SPECIFICATIONS

Power supply: 220-240 V ~ 50/60 Hz

Rated input power: 30 W

Water tank capacity: 5,6 L

Water flow: ≥ 300 ml/h

Humidified area: up to 30 m²

RECYCLING



For environment protection do not throw out the unit and the batteries (if included), do not discard the unit and the batteries with usual household waste after the service life expiration; apply to specialized centers for further recycling.

The waste generated during the disposal of the unit is subject to mandatory collection and consequent disposal in the prescribed manner.

For further information about recycling of this product apply to a local municipal administration, a disposal service or to the shop where you purchased this product.

The manufacturer preserves the right to change design, structure and specifications not affecting general principles of the unit operation without a preliminary notification due to which insignificant differences between the manual and product may be observed. If the user reveals such differences, please report them via e-mail info@vitek.ru for receipt of an updated manual.

The unit operating life is 3 years

Guarantee

Details regarding guarantee conditions can be obtained from the dealer from whom the appliance was purchased. The bill of sale or receipt must be produced when making any claim under the terms of this guarantee.



This product conforms to the EMC Directive 2014/30/EU and to the Low Voltage Directive 2014/35/EU.

РУССКИЙ

УВЛАЖНИТЕЛЬ VT-2342

Недостаточная влажность в помещении негативно сказывается на здоровье человека, домашних животных, растениях и предметах мебели. Рекомендуемый комфортный уровень относительной влажности воздуха в помещениях составляет от 40% до 60%. Увлажнитель позволит улучшить качество воздуха в помещении.

ОПИСАНИЕ

1. Крышка с соплом для выхода «пара»
2. Ручка для переноски резервуара для воды
3. Резервуар для воды
4. Отверстие для заливки воды
5. Минеральный фильтр
6. Крышка резервуара для воды
7. Рабочая камера с «распылителем»
8. Панель управления
9. Корпус
10. Решётка воздухозаборника и поролоновый фильтр

Панель управления (8)

11. Кнопка включения/выключения «ON/OFF»
12. Кнопка интенсивности выхода «пара» «MIST»
13. Кнопка установки относительной влажности воздуха «HUMIDI STAT»
14. Цифровые символы относительной влажности/температуры/времени отложенного старта/времени автовыключения
15. Кнопка установки времени отложенного старта «DELAY START»
16. Кнопка установки времени автоотключения «AUTO OFF»
17. Символы времени/относительной влажности «H, %»
18. Символы единиц измерения температуры «C°, F°»
19. Кнопка включения режима ионизации «ANION»
20. Символ работы режима «ионизация»
21. Символы интенсивности выхода «пара»
22. Символ работы режима «автовыключения»
23. Символ работы режима поддержания относительной влажности
24. Символ работы режима «отложенный старт»

МЕРЫ БЕЗОПАСНОСТИ

Перед началом эксплуатации электроприбора внимательно прочитайте настоящее руководство по эксплуатации и сохраните его для использования в качестве справочного материала.

Используйте устройство только по его прямому назначению, как изложено в данном руководстве. Неправильное обращение с устройством может привести к его поломке, причинению вреда пользователю или его имуществу.

- Перед включением убедитесь, что напряжение электрической сети соответствует рабочему напряжению устройства.
- Устанавливайте устройство на ровной влагонепроницаемой поверхности. Расстояние до стен, других предметов мебели и интерьера должно быть не менее 30 см.
- Запрещается устанавливать устройство на напольные покрытия с длинным ворсом.
- Не размещайте увлажнитель в местах, подверженных воздействию прямых солнечных лучей, высоких температур, вблизи компьютеров или чувствительной электронной техники.
- Запрещается использовать устройство вне помещений.
- Используйте только те съёмные детали, которые входят в комплект поставки.
- Не включайте устройство без воды и отключайте его, как только в резервуаре закончится вода.
- Не используйте газированную или загрязнённую воду, а также парфюмерные добавки.
- Температура используемой воды не должна превышать +40°C.
- Не включайте устройство без установленного резервуара для воды.
- Отключайте устройство от электросети перед снятием резервуара для воды.
- Не накрывайте устройство.
- Не закрывайте имеющиеся отверстия на корпусе устройства и не допускайте попадания в них посторонних предметов.
- Не погружайте корпус устройства, сетевого шнура либо вилку сетевого шнура в воду или другие жидкости.
- Во время работы устройства не перемещайте и не наклоняйте его, а также не снимайте резервуар для воды.
- Обязательно отключайте устройство от сети и выливайте воду из резервуара и рабочей камеры во время чистки или если вы не пользуетесь увлажнителем.
- Прежде чем перенести устройство в другое место, отключите его от электросети и слейте воду из резервуара для воды и рабочей камеры. При переноске устройства держите его обеими руками за корпус.

- Не прикасайтесь к вилке сетевого шнура мокрыми руками.
- Регулярно проводите чистку устройства.
- Не разрешайте детям прикасаться к корпусу устройства и к сетевому шнуру во время работы устройства.
- Данное устройство не предназначено для использования детьми.
- Прибор не предназначен для использования лицами (включая детей) с пониженными физическими, психическими и умственными способностями или при отсутствии у них опыта или знаний, если они не находятся под контролем или не проинструктированы об использовании прибора лицом, ответственным за их безопасность.
- Осуществляйте надзор за детьми, чтобы не допустить использования устройства в качестве игрушки.
- Из соображений безопасности детей не оставляйте полиэтиленовые пакеты, используемые в качестве упаковки, без присмотра.

Внимание! Не разрешайте детям играть с полиэтиленовыми пакетами или упаковочной плёнкой. **Опасность удушья!**

- Отключая устройство от электросети, никогда не дергайте за сетевой шнур, возьмитесь за сетевую вилку и аккуратно извлеките её из электрической розетки.
- При повреждении шнура питания его замену во избежание опасности должны производить изготовитель, сервисная служба или подобный квалифицированный персонал.
- Запрещается самостоятельно ремонтировать прибор. Не разбирайте прибор самостоятельно, при возникновении любых неисправностей, а также после падения устройства выключите его из электрической розетки и обратитесь в любой авторизованный (уполномоченный) сервисный центр по контактным адресам, указанным в гарантийном талоне и на сайте www.vitek.ru.
- Перевозите устройство только в заводской упаковке.
- Храните устройство в местах, недоступных для детей и людей с ограниченными возможностями.

УСТРОЙСТВО ПРЕДНАЗНАЧЕНО ТОЛЬКО ДЛЯ БЫТОВОГО ИСПОЛЬЗОВАНИЯ В ЖИЛЫХ ПОМЕЩЕНИЯХ, ЗАПРЕЩАЕТСЯ КОММЕРЧЕСКОЕ ИСПОЛЬЗОВАНИЕ И ИСПОЛЬЗОВАНИЕ УСТРОЙСТВА В ПРОИЗВОДСТВЕННЫХ ЗОНАХ И РАБОЧИХ ПОМЕЩЕНИЯХ.

ПЕРЕД ПЕРВЫМ ИСПОЛЬЗОВАНИЕМ

После транспортировки или хранения устройства при пониженной температуре необходимо выдержать его при комнатной температуре не менее трёх часов.

Внутри увлажнителя могут находиться следы от воды – это нормальное явление, так как устройство проходило контроль качества.

- Распакуйте увлажнитель, удалите упаковочные материалы и любые рекламные наклейки, мешающие работе устройства. Осмотрите устройство на предмет повреждений. При наличии повреждений не включайте увлажнитель.
- Перед включением в сеть убедитесь, что напряжение электрической сети соответствует рабочему напряжению прибора.
- Устройство предназначено для работы в сети переменного тока с частотой 50Гц или 60Гц, для работы устройства при требуемой номинальной частоте никакая настройка не требуется.

Примечания:

- используйте увлажнитель при температуре в помещении от +10°C до +40°C и относительной влажности менее 80%.
- температура используемой воды не должна быть выше +40°C.

ИСПОЛЬЗОВАНИЕ УВЛАЖНИТЕЛЯ ВОЗДУХА

Примечания:

- кнопки выбора и установки режимов работы сенсорные, для включения нужного режима работы, к кнопке достаточно прикоснуться, каждое прикосновение к активной кнопке сопровождается звуковым сигналом.
- Снимите крышку с соплом (1).
- Возьмитесь за ручку (2) резервуара для воды (3) и снимите его с корпуса (9).
- Переверните резервуар (3), открутите крышку (6), поворачивая её против часовой стрелки.
- Наполните резервуар (3) необходимым количеством воды, вставьте крышку (6) в заливочное отверстие (4) и закрутите её, поворачивая по часовой стрелке.
- Установите на место сначала наполненный резервуар (3), а затем – крышку с соплом (1).
- Подождите некоторое время, пока рабочая камера (7) заполнится водой.

Примечания:

- перед первым использованием рекомендуется на несколько минут поместить мине-

РУССКИЙ

ральный фильтр (5) в ёмкость с водой комнатной температуры.

- снимите фильтр (5) с крышки (6), повернув его против часовой стрелки, опустите фильтр (5) на несколько минут в ёмкость с водой, выньте фильтр из воды, дайте стечь остаткам воды установите его на крышку (6), и поверните по часовой стрелке до упора.
- Вставьте вилку сетевого шнура в электрическую розетку, при этом прозвучит звуковой сигнал и на панели управления (8) будут отображаться цифровые символы (14) температуры и относительной влажности в помещении, а также символы (17, 18).

Примечание: - для выбора единиц измерения температуры «С° или F», нажмите и удерживайте кнопку включения режима «ионизации» (19), при этом прозвучит звуковой сигнал, и единицы измерения температуры изменятся, единицы измерения температуры подтверждаются символами (18).

- Включите устройство, прикоснувшись к кнопке включения/выключения «ON/OFF» (11), при этом прозвучит звуковой сигнал, устройство включится на минимальной интенсивности выхода «пара», загорится один символ интенсивности выхода «пара» (21).
- Для выключения увлажнителя, повторно прикоснитесь к кнопке (11) «ON/OFF».
- Извлеките вилку сетевого шнура из электрической розетки.

Примечания:

- показания уровня влажности могут несколько отличаться от показаний другого гигрометра.
- показания уровня влажности зависят от температуры воздуха в помещении.
- сквозняки или другие воздушные потоки могут существенно влиять на показания влажности и температуры воздуха в помещении.

КНОПКИ УПРАВЛЕНИЯ РЕЖИМАМИ РАБОТЫ

Кнопка включения/выключения «ON/OFF» (11)

- Прикоснитесь к кнопке (11) для включения устройства, для отключения устройства прикоснитесь к кнопке (11) ещё раз.

Кнопка интенсивности выхода «пара»

«MIST» (12)

- Последовательно прикасаясь к кнопке (12), Вы можете выбрать интенсивность выхода «пара», интенсивность выхода «пара» отображается символами (21).

Кнопка установки относительной влажности воздуха «HUMIDI STAT» (13)

Относительная влажность – это отношение массовой доли водяного пара в воздухе к максимально возможной при данной температуре, относительная влажность измеряется в процентах и обозначается, например, «45%».

Атмосферный воздух всегда содержит водяной пар, процент которого зависит от метеорологических условий, чем выше температура, тем больше воздух удерживает водяного пара. Когда холодный воздух нагревается до комфортной температуры зимой, относительный процент водяного пара падает, это и есть относительная влажность.

Для поддержания комфортных условий в помещении, необходимо искусственное добавление воды или водяного пара в окружающий воздух – для этого и необходим увлажнитель воздуха.

Комфортная относительная влажность для человека «45-65%»; в профилактических и лечебных целях «40-55%»; для мебели, музыкальных инструментов и библиотек рекомендуется поддерживать относительную влажность воздуха «40-60%».

- Включите увлажнитель и установите необходимый уровень интенсивности выхода «пара».
- Последовательно прикасаясь к кнопке (13), Вы можете установить желаемый уровень относительной влажности в помещении в диапазоне от 40% до 95% с шагом 5%, уровень влажности отображается на цифровыми символами (14) и символом (23).
- При достижении установленного уровня влажности подача «пара» выключится, символы интенсивности подачи «пара» (21) погаснут, при уменьшении уровня влажности воздуха подача «пара» включится и символы интенсивности подачи «пара» (21) загорятся.
- Для отключения режима поддержания установленной влажности прикасайтесь к кнопке (13) до тех пор, пока символ (23) не погаснет, при этом цифровыми символами (14) будет отображаться относительная влажность и температура в помещении.

Кнопка установки времени отложенного

старта «DELAY START» (15)

- Включите увлажнитель и установите необходимый уровень интенсивности выхода «пара».

- Прикоснитесь к кнопке (15), цифровыми символами (14) отобразится время «отложенный старт» «01:00» и загорится символ (17) «Н». Последовательно прикасаясь к кнопке (15), Вы можете установить время «отложенный старт» в диапазоне от 1 до 24 часов, шаг установки 1 час, после установки времени «отложенный старт», разделительные точки «:» начнут мигать и начнётся обратный отсчёт времени, оставшегося до включения увлажнителя, оставшееся время отображается цифровыми символами (14) и символом (17) «Н».
- Для сброса времени «отложенный старт», один раз прикоснитесь к кнопке «ON/OFF» (11), увлажнитель включится и будет работать с ранее установленными настройками.

Кнопка установки времени автоотключения «AUTO OFF» (16)

- Включите увлажнитель и установите необходимый уровень интенсивности выхода «пара».
- Прикоснитесь к кнопке (16), цифровыми символами (14) отобразится время «автовывключения» «01:00» и загорится символ (17) «Н». Последовательно прикасаясь к кнопке (16), Вы можете установить время «автовывключения» в диапазоне от 1 до 24 часов, шаг установки 1 час, после установки времени «автовывключение», разделительные точки «:» начнут мигать и начнётся обратный отсчёт времени, оставшегося до выключения увлажнителя, цифровыми символами (14) будет отображаться относительная влажность/температура/оставшееся время работы увлажнителя.
- Для сброса времени «автовывключения», последовательно прикоснитесь к кнопке (16) до сброса показаний времени «отложенный старт», после этого увлажнитель включится и будет работать с ранее установленными настройками.

Кнопка включения режима ионизации «ANION» (19)

- После прикосновения к кнопке (19) включится генератор отрицательных ионов, и загорится символ (20).
- Для выключения режима ионизации прикоснитесь к кнопке (19) ещё раз, символ (20) погаснет.

- Для выбора единиц измерения температуры «С° или F°», нажмите и удерживайте кнопку включения режима «ионизации» (19), при этом прозвучит звуковой сигнал, и единицы измерения температуры изменятся, единицы измерения подтверждаются символами (18) «С°, F°».

Индикация недостаточного количества воды

- Когда в резервуаре (3) закончится вода, устройство отключится, прозвучат звуковые сигналы, символы интенсивности выхода «пара» (21) будут светиться красным цветом.
- Выключите устройство, прикоснувшись к кнопке (11) и выньте вилку сетевого шнура из розетки, снимите крышкус соплом (1) и резервуар (3). Наполните резервуар (3) водой (см. раздел «Использование увлажнителя воздуха»). Установите на корпус увлажнителя (9) сначала наполненный водой резервуар (3), а затем – крышку с соплом (1).
- Включите устройство для дальнейшей эксплуатации.

ЧИСТКА И УХОД

ПРЕДУПРЕЖДЕНИЕ! Обязательно выключайте увлажнитель и отключайте его от электросети перед чисткой.

Жёсткая вода вызывает появление минеральных отложений в рабочей камере (7) и в резервуаре (3), что приводит к ухудшению работы прибора. Во избежание этого:

- используйте воду, прошедшую очистку бытовым фильтром, кипячённую и отстоянную воду. Если водопроводная вода жёсткая, то рекомендуется смешивать её с дистиллированной водой в соотношении 1:1. При очень жёсткой воде смешивайте её с дистиллированной водой в соотношении 1:2 или используйте только дистиллированную воду.
- Использование воды с высоким содержанием минералов может привести к образованию белого налёта на поверхностях вблизи увлажнителя воздуха и это не является дефектом увлажнителя.
- Меняйте воду в резервуаре (3) два раза в неделю.
- Тщательно промывайте рабочую камеру (7) и резервуар (3) раствором нейтрального моющего средства два раза в неделю.

РУССКИЙ

- Для очистки «распылителя» капните на него 5-10 капель очищающего средства, подождите приблизительно 10-15 минут. Удалите налёт с поверхности «распылителя», после чего промойте рабочую камеру (7) раствором нейтрального моющего средства.
- Сполосните несколько раз рабочую камеру (7) и резервуар (3). Протрите рабочую камеру (7) мягкой тканью.
- Корпус увлажнителя (9) протирайте мягкой слегка влажной тканью, после чего вытрите насухо.
- По мере загрязнения снимайте и очищайте решётку воздухозаборника (9а 10) и поролоновый фильтр.

Примечания:

- не погружайте корпус увлажнителя в воду или в любые другие жидкости.
- не используйте для чистки «распылителя» абразивные чистящие средства и растворители.
- в качестве очищающего средства для «распылителя» можно использовать средство для удаления накипи в чайниках, строго соблюдая рекомендации в инструкции по использованию данного средства.

Минеральный фильтр (5)

Минеральный фильтр очищает воду от примесей, от ионов тяжелых металлов, бактерий,

удаляет посторонний запах, предотвращает появление белого налёта вблизи работающего увлажнителя воздуха.

Чистка минерального фильтра

- Минеральный фильтр (5) рекомендуется промывать раз в месяц, при использовании «жёсткой воды», 2-3 раза в месяц.
- Снимите резервуар (3), открутите крышку (6) и снимите её, снимите минеральный фильтр (5), повернув его против часовой стрелки.
- Промойте фильтр (5) под струёй проточной воды.
- Установите минеральный фильтр (5) на крышку (6), повернув его по часовой стрелке.

ХРАНЕНИЕ

- Прежде чем убрать прибор на хранение, слейте воду из резервуара и убедитесь, что рабочая камера (7) и «распылитель» – сухие.
- Запрещается хранить увлажнитель при наличии воды в резервуаре (3) или в рабочей камере (7).
- Перед тем как убрать на хранение минеральный фильтр (5), проведите его чистку и высушите, храните фильтр (5), в прохладном затемнённом месте.
- Храните увлажнитель в сухом прохладном месте, недоступном для детей и людей с ограниченными возможностями.

УСТРАНЕНИЕ НЕИСПРАВНОСТЕЙ

Неисправность	Возможные причины	Устранение неисправностей
Нет «пара»	Неправильное подключение устройства	Проверьте, вставлена ли вилка сетевого шнура в розетку.
	Устройство не включено	Включите устройство, нажав кнопку (11).
	Нет воды или недостаточное количество воды в резервуаре	Залейте в резервуар достаточное количество воды.
Посторонний запах во время работы	Первое использование	Отключите устройство от электросети. Снимите резервуар, открутите крышку (6), слейте воду из резервуара для воды, поместите резервуар в прохладное сухое место на 12 часов.
	Грязная или застоявшаяся вода	Отключите устройство от электросети, снимите резервуар, открутите крышку (6), слейте воду из резервуара для воды, проведите чистку резервуара (как описано в разделе «Чистка и уход»), залейте в него чистую воду.

Неисправность	Возможные причины	Устранение неисправностей
Посторонний шум	Неправильно установлен резервуар для воды	Проверьте правильность установки резервуара для воды.
	Недостаточно воды в резервуаре	Залейте в резервуар достаточное количество воды.
	Устройство размещено на неровной поверхности	Разместите устройство на ровной устойчивой поверхности.

КОМПЛЕКТ ПОСТАВКИ

Увлажнитель – 1 шт.
Инструкция – 1 шт.

ТЕХНИЧЕСКИЕ ХАРАКТЕРИСТИКИ

Электропитание: 220-240 В ~ 50/60 Гц
Номинальная потребляемая мощность: 30 Вт
Ёмкость резервуара для воды: 5,6 л
Расход воды: ≥ 300 мл/ч
Площадь увлажнения: до 30 м²

УТИЛИЗАЦИЯ



В целях защиты окружающей среды, после окончания срока службы прибора и элементов питания (если входят в комплект), не выбрасывайте их вместе с обычными бытовыми отходами, передайте прибор и элементы питания в специализированные пункты для дальнейшей утилизации.

Отходы, образующиеся при утилизации изделий, подлежат обязательному сбору с последующей утилизацией в установленном порядке.

Для получения дополнительной информации об утилизации данного продукта обратитесь в местный муниципалитет, службу утилизации бытовых отходов или в магазин, где Вы приобрели данный продукт.

Производитель сохраняет за собой право изменять дизайн, конструкцию и технические характеристики, не влияющие на общие принципы работы устройства, без предварительного уведомления, из-за чего между инструкцией и изделием могут наблюдаться незначительные различия. Если пользователь обнаружил такие несоответствия, просим сообщить об этом по электронной почте info@vitek.ru для получения обновленной версии инструкции.

Срок службы устройства – 3 года



Данное изделие соответствует всем требованиям европейским и российским стандартам безопасности и гигиены.

ИЗГОТОВИТЕЛЬ: СТАР ПЛЮС ЛИМИТЕД
(STAR PLUS LIMITED)

МЕСТОНАХОЖДЕНИЕ И ПОЧТОВЫЙ АДРЕС ДЛЯ СВЯЗИ: ЮНИТ БИ ЭНД СИ, 15Й ЭТАЖ, КЭЙСИ АБЕРДИН ХАУС, №38, ХЕНГ ИП РОУД, ВОНГ ЧУК ХАНГ, ГОНКОНГ, КНР

ИМПОРТЕР: ООО «ВИТЕК.РУС»

МЕСТОНАХОЖДЕНИЕ И ПОЧТОВЫЙ АДРЕС ДЛЯ СВЯЗИ: 117209, РФ, Г. МОСКВА, СЕВАСТОПОЛЬСКИЙ ПР-КТ, Д. 28, КОРП. 1.

www.vitek.ru

ТЕЛЕФОН ДЛЯ СПРАВОК: 8-800-100-18-30

СДЕЛАНО В КНР

ҚАЗАҚША

VT-2342 ЫЛҒАЛДАУЫШЫ

Панажайдағы жеткіліксіз ылғалдылық адамның денсаулығына, үй жануарларына, өсімдіктерге және жиһаз заттарына өзінің кері әсерін тигізеді. Панажайлардағы ұсынылатын салыстырмалы ауа ылғалдылығы 40%-дан 60%-ға дейінгі аралықты құрайды.

Ылғалдауышы панажайдағы ауа сапасын жақсартуға көмектеседі.

СИПАТТАМАСЫ

1. «Бу» шығатын шүмегі бар қақпақ
 2. Су қоймасын тасымалдауға арналған қолсап
 3. Су қоймасы
 4. Суды құюға арналған саңылау
 5. Минералды сүзгі
 6. Су қоймасының қақпағы
 7. «Бүріккіші» бар жұмыс камерасы
 8. Басқару панелі
 9. Корпус
 10. Ауа тартқыш тор және поролон сүзгі
- ### Басқару панелі (8)
11. «ON/OFF» іске қосу/сөндіру батырмасы
 12. «Буды» қарқынды шығару батырмасы «MIST»
 13. Ауаның салыстырмалы ылғалдылығын орнату батырмасы «HUMIDI STAT»
 14. Салыстырмалы ылғалдылық / температура / шегерілген старт уақыты/автосөндіру уақытының сандық таңбалары
 15. Шегерілген старт уақытын орнату батырмасы «DELAY START»
 16. Автосөндіру уақытын орнату батырмасы «AUTO OFF»
 17. Уақыт /салыстырмалы ылғалдылық таңбалары «Н, %»
 18. Температураның өлшем бірліктері таңбасы «С°, F°»
 19. Иондау тәртібін қосу батырмасы «ANION»
 20. «Иондау» режимі жұмысының таңбасы
 21. «Будың» қарқынды шығу таңбасы
 22. «Автосөндіру» режимі жұмысының таңбасы
 23. Салыстырмалы ылғалдылық режимі жұмысының таңбасы
 24. «Шегерілген бастау» режимі жұмысының таңбасы

ҚАУІПСІЗДІК ШАРАЛАРЫ

Электрлік аспапты пайдалана бастау алдында берілген пайдалану бойынша басшылықты зейін қойып оқып шығыңыз жән оны анықтамалық материал ретінде пайдалану үшін сақтап қойыңыз. Құрылғыны берілген басшылықта жазылғандай тек оның тікелей міндеті бойынша ғана

пайдаланыңыз. Құрылғыны дұрыс пайдаланбау оның бұзылуына, пайдаланушыға немесе оның мүлкіне зиян келтіруіне әкелуі мүмкін.

- Іске қосу алдында, аспаптың жұмыс істеу кернеуі желідегі кернеуге сәйкес келетініне көз жеткізіңіз.
- Құрылғыны түзу, ылғалға төзімді бетке қойыңыз. Қабырғаға, басқа жиһаз және интерьер заттарына дейінгі қашықтық 30 см-ден кем болмауы керек.
- Құрылғыны ұзын талшықтары бар еден жабуларына орнатуға тыйым салынады.
- Ылғалдатқышты тікелей күн сәулелерінің, жоғары температуралардың әсері тиетін жерлерде, компьютерлердің немесе сезімтал электрондық техниканың қасында орналастырмаңыз.
- Құрылғыны панажайлардан тыс пайдалануға тыйым салынады.
- Жеткізілім жинағына кіретін шешілмелі бөлшектерді ғана пайдаланыңыз.
- Құрылғыны сусыз іске қоспаңыз және сауытында суы біткен кезде оны сөндіріңіз.
- Газдалған немесе ластанған суды, сонымен қатар парфюмерлік қоспаларды пайдаланбаңыз.
- Пайдаланылатын судың температурасы +40°C-ден аспауы керек.
- Суға арналған сауытсыз құрылғыны іске қоспаңыз.
- Суға арналған сауытты шешу алдында құрылғыны сөндіріңіз.
- Құрылғыны бүркеп жаппаңыз.
- Құрылғы корпусында бар саңылауларды жаппаңыз және оларға бөтен заттардың түсуіне жол бермеңіз.
- Құрылғы корпусын, желілік бауды немесе желілік баудың айыртетігін суға немесе басқа сұйықтықтарға матырмаңыз.
- Құрылғы жұмыс істеген уақытта оны тасымалдамаңыз және еңкейтпеңіз, сонымен қатар суға арналған сауытты шешпеңіз.
- Ылғалдауышты тазалау уақытында немесе сіз оны пайдаланбасаңыз міндетті түрде құрылғыны желіден ажыратыңыз және суға арналған сауыт пен жұмыс камерасынан суды төгіңіз.
- Құрылғы басқа орынға тасымалдағанға дейін, оны электр желісінен ажыратыңыз және суға арналған сауыт пен жұмыс камерасынан суды төгіңіз. Құрылғыны тасымалдаған кезде оны екі қолыңызбен корпусынан ұстаңыз.

- Желілік баудың айыртетігін сулы қолмен ұстамаңыз.
- Құрылғыны тазалауды мезгілімен жүргізіңіз.
- Құрылғы жұмыс істеген уақытта балаларға құрылғы корпусына қолын тигізуге рұқсат етпеңіз.
- Берілген құрылғы балалардың пайдалануына арналмаған.
- Дене, жүйке немесе сана мүмкіндіктері төмендетілген тұлғалардың (балаларды қоса) немесе оларда тәжірибесі немесе білімі болмаса, егер олар бақыланбаса немесе олардың қауіпсіздігі үшін жауап беретін тұлғамен аспапты пайдалану туралы нұсқаулықтар берілген болмаса, аспап олардың пайдалануына арналмаған.
- Құрылғыны ойыншық ретінде пайдалануға жол бермеу үшін балаларға қадағалау жасаңыз.
- Балалардың қауіпсіздігі мақсатында орау ретінде пайдаланылатын полиэтилен қаптарды қараусыз қалдырмаңыз.

Назар аударыңыз! Балаларға полиэтилен қаптармен немесе орайтын пленкамен ойнауға рұқсат етпеңіз. **Тұншығу қаупі бар!**

- Құрылығыны электр желісінен сөндіргенде, ешқашан желілік баудан тартпаңыз, желелік айыреттіктен ұстаңыз және оны электрлік ашалықтан ұқыпты шығарыңыз.
- Қуаттандыру бауы зақымданған жағдайда қауіп тууға жол бермеу үшін оны дайындаушы, сервистік қызмет немесе баламалы білікті маман ауыстыруы керек.
- Аспапты өз бетімен жөндеуге тыйым салынады. Аспапты өз бетіңізбен бөлшектемеңіз, кез-келген ақаулықтар пайда болғанда қоректендіру элементтерін батареялық бөліктен шығарыңыз және кепілдік талоны мен www.vitek.ru сайтында көрсетілген хабараласу мекенжайлары бойынша кез-келген туындыгерлес (өкілетті) қызмет көрсету орталығына хабарласыңыз.
- Құрылғыны тек зауыттық орауда тасымалдаңыз.
- Құрылғыны балалардың және мүмкіндіктері шектеулі адамдардың қолы жетпейтін жерде сақтаңыз.

ҚҰРЫЛҒЫ ТҰРҒЫН ПАНАЖАЙЛАРДА ТҰР-МЫСТЫҚ ПАЙДАЛАНУ ҮШІН АРНАЛҒАН, ҚҰРЫЛҒЫНЫ КОММЕРЦИЯЛЫҚ ПАЙДАЛАНУ ЖӘНЕ ӨНДІРІСТІК АЙМАҚТАР МЕН ЖҰМЫС ПАНАЖАЙЛАРЫНДА ПАЙДАЛАНУҒА ТЫЙЫМ САЛЫНАДЫ.

АЛҒАШ РЕТ ПАЙДАЛАНУ АЛДЫНДА

Құрылғыны төмен температура жағдайында тасымалдаған немесе сақтаған кезде, оны бөлме температурасында үш сағаттан кем емес уақыт бойы ұстау қажет.

Ылғалдағыштың ішінде судың іздері болуы мүмкін – бұл қалыпты құбылыс, себебі құрылғы сапа бақылауынан өтті.

- Ылғалдағышты орамнан шығарыңыз, құралдың жұмыс істеуіне кедергі болатын кез-келген жарнамалық жапсырмаларды және қаптама материалдарды алып тастаңыз. Құрылғыны зақымдалуына қатысты тексеріңіз. Зақымдалуы бар болған жағдайда ылғалдағышты қоспаңыз.
- Желіге қосу алдында электр желісінің кернеуі аспаптың жұмыс кернеуіне сәйкес келетініне көз жеткізіңіз.
- Құрылғы жиілігі 50 Гц немесе 60 Гц айнымалы ток желісінде жұмыс істеуге тағайындалған, құрылғының талап етілген номиналдық жиілікте жұмыс істеуі үшін ешқандай реттеу талап етілмейді.

Ескертпе:

- ылғалдағышты панажайдағы температура +10°C-ден +40°C-ге дейін және салыстырмалы ылғалдылығы 80% төмен болғанда пайдаланыңыз.
- пайдаланылатын судың температурасы +40°C-ден жоғары болмауы керек.

АУА ЫЛҒАЛДАҒЫШТЫ ПАЙДАЛАНУ

Ескертпе:

- жұмыс режимдерін таңдау және баптау батырмалары сенсорлы, қажетті жұмыс режимін қосу үшін, батырмаға тигізу жеткілікті, белсенді батырмаға әр тигізу дыбыстық сигналмен сүйемелденеді.
- Шүмегі бар қақпақты (1) шешіп алыңыз.
- Су қоймасы (3) қолсабынан (2) ұстаңыз және оны корпустан (9) шешіп алыңыз.
- Суқойманы (3) аударып, қақпақты (6) сағат тіліне қарсы бағытта бұрып, бұрап шешіп алыңыз.
- Су қойманы (3) қажетті су мөлшерімен толтырыңыз, құю тесігіне (4) қақпақты (6) қойыңыз және оны сағат тілі бағытына бұраңыз.
- Алдымен толтырылған суқойманы (3), содан кейін – шүмегі бар қақпақты (1) орнына қойыңыз.
- Жұмыс камерасы (7) суға толғанға дейін, біраз уақыт күтіңіз.

ҚАЗАҚША

Ескертпе:

- бірінші рет қолданар алдында бөлме температурасындағы суы бар сыйымдылыққа бірнеше минутқа минералды сүзгіні (5) орналастыру ұсынылады.
- қақпақтан (6) сүзгіні (5) сағат тіліне қарсы бұрап, шешіп алыңыз, сүзгіні (5) бірнеше минутқа суы бар сыйымдылыққа батырыңыз, сүзгіні судан шығарыңыз, қалдық суларын ағызып болыңыз да оны қақпаққа (6) орнатыңыз, және тірелгенге дейін сағат тілі бағыты бойынша бұраңыз.
- Электр розеткаға желі бауының ашасын салыңыз, осы кезде дыбыстық белгі естіледі және басқару панелінде (8) үй-жайдағы температураның және салыстырмалы ылғалдылықтың цифрлі таңбалары (14), сондай-ақ таңбалар (17, 18) көрінетін болады.

Ескертпе: - температураның өлшем бірлігін «С° немесе F°» таңдау үшін, «иондау» режимі батырмасын (19) басып ұстап тұрыңыз, осы кезде дыбыстық белгі естіледі, және температураның өлшем бірліктері өзгереді, температураның өлшем бірліктері таңбамен (18) бекітіледі.

- Қосу / сөндіру «ON/OFF» батырмасына (11) қол тигізу арқылы құрылғыны қосыңыз, осы кезде дыбыстық белгі естіледі, құрылғы «бу» шығысының ең аз қарқындылығымен қосылады, «бу» шығысы (21) қарқындылығының бір таңбасы жанады.
- Ылғалдағышты сөндіру үшін «ON/OFF» батырмаға (11) қайтадан қол тигізіңіз.
- Желі бауының ашасын электр розеткадан шығарыңыз.

Ескертпе:

- Ылғалдылық деңгейінің көрсеткіштері басқа гигрометрдің көрсетуінен өзгеше болуы мүмкін.
- Ылғалдылықтың көрсетулері панажайдағы ауа температурасына байланысты.
- жел өті немесе басқа ауа ағындары панажайдағы ылғалдылық пен ауа температурасының көрсетулеріне айтарлықтай әсер етуі мүмкін.

ЖҰМЫС РЕЖИМДЕРІН БАСҚАРУ БАТЫРМАЛАРЫ

Қосу/сөндіру «ON/OFF» батырмасы (11)

- Құрылғыны қосу үшін батырмасына (11) тигізіңіз, құрылғыны сөндіру үшін батырмаға (11) тағы да тигізіңіз.

«Будың» «MIST» қарқынды шығу батырмасы (12)

- Батырмаға (12) бірізділікпен баса отырып, Сіз «будың» қарқынды шығуын таңдай аласыз, «будың» қарқынды шығуы (21) белгімен көрсетіледі.

Ауаның салыстырмалы ылғалдылығын орнату батырмасы «HUMIDI STAT» (13)

Салыстырмалы ылғалдылық- бұл ауадағы су буының массалық үлесі осы температурадағы максималды ықтимал су буының қатынасы, салыстырмалы ылғалдылық пайызбен өлшенеді және белгіленеді, мысалы «45%».

Атмосфералық ауада үнемі су буы бар, оның пайызы метрологиялық жағдайларға байланысты, неғұрлым температура жоғары болса, соншалықты ауа су буын ұстап қалады. Суық ауа қыс мезгілінде қолайлы температураға дейін қызған кезде, су буының салыстырмалы пайызы төмендейді, бұл осы салыстырмалы ылғалдылық болып табылады.

Панажайда қолайлы жағдайды қолдап отыру үшін, ауаға суды жасанды түрде қосу қажет немесе қоршаған ортаға су буын қосу қажет - осы үшін ылғалдағыш қажет.

Адам үшін қолайлы салыстырмалы ылғалдылық «45-65%»; алдын алу және емдік мақсаттарда «40-55%»; жиһаздар, музыкалық аспаптар мен кітапханалар үшін 40-60% салыстырмалы ылғалдылықты сақтау ұсынылады.

- Ылғалдағышты қосыңыз және «бу» шығу қарқындылығының қажетті деңгейін орнатыңыз.
- Батырмаға (13) дәйекті түрде басу арқылы, Сіз панажайдағы салыстырмалы ылғалдылықтың қажетті деңгейін 40% -дан 95% -ға дейін 5% қадаммен белгілей аласыз, ылғалдылық деңгейі сандық белгілермен (14) және белгісімен (23) көрсетіледі.
- Орнатылған ылғалдылық деңгейіне жеткенде, «бу» шығысы сөніп қалады, «бу» шығару қарқындылығы белгісі (21) өшеді, ауаның ылғалдылық деңгейі төмендегенде «бу» шығару қосылады және «бу» шығару қарқындылығы белгісі (21) жанады.
- Орнатылған ылғалдылықты сақтау режимін сөндіру үшін, батырманы (13) белгісі (23) сөнгенше басыңыз, осы кезде сандық белгіде (14) салыстырмалы ылғалдылық пен панажайдағы температура көрсетіледі.

Кейінге қалдырылған старт уақытын орнату батырмасы «DELAY START» (15)

- Ылғалдағышты қосыңыз және «бу» шығу қарқындылығының қажетті деңгейін орнатыңыз.
- Батырманы (15) басыңыз, цифрлы белгілермен (14) «шегерілген бастау» уақыты «01:00» және белгісі (17) жанады. Батырмаға (15) дәйекті түрде басу арқылы, Сіз «шегерілген бастау» уақытын 1 сағаттан 24 сағатқа дейінгі диапазонда орната аласыз, «шегерілген бастау» уақытын орнатқаннан кейін бөлу нүктелері «:» жыпылықтай бастайды және кері санақ басталады, 1 сағатқа орнатуға болады, ылғалдағыштың қосылуына дейін қалған уақыт сандық таңбалармен (14) және белгісі (17) «Н» көрсетіледі.
- «Шегерілген бастау» уақытын жою үшін, «ON/OFF» батырмасын (11) бір рет басыңыз, ылғалдағыш қосылады және бұрын орнатылған баптаулармен жұмыс істейді.

Автосөндіру уақытын орнату батырмасы «AUTO OFF» (16)

- Ылғалдағышты қосыңыз және «бу» шығу қарқындылығының қажетті деңгейін орнатыңыз.
- Батырмаға (16) қол тигізіңіз, цифрлық таңбалармен (14) «автосөндіру» «01:00» уақыты көрсетіледі және таңбасы (17) «Н» жанады. Батырмаға (16) дәйекті түрде қол тигізу арқылы, Сіз «автосөндіру» уақытын 1-ден 24 сағатқа дейінгі аралықта орната аласыз, орнату қадамы 1 сағат, «автосөндіру» уақытын орнатқаннан кейін, бөлу нүктелері «:» жыпылықтай бастайды және ылғалдағыштың сөндірілуіне дейін қалған уақыттың кері санағы басталады, цифрлық таңбалармен (14) салыстырмалы ылғал/ температура/ ылғалдағыш жұмысының қалған уақыты көрсетіледі.
- «Автосөндіру» уақытын жою үшін, «шегерілген бастау» уақытын жою көрсеткішіне дейін батырмаға (16) дәйекті түрде қол тигізіңіз, осыдан кейін ылғалдағыш қосылады және бұрын орнатылған баптауларымен жұмыс істейді.

Иондау «ANION» режимін қосу батырмасы (19)

- Батырмаға (19) басқаннан кейін теріс иондар генераторы қосылады, және белгісі (20) жанады.

- Иондау режимін сөндіру үшін - батырмаға (19) тағы да басыңыз, (20) белгісі сөнеді.
- Температураның өлшем бірлігін «С° или F°» таңдау үшін, «иондау» (19) режимі батырмасын басып ұстап тұрыңыз, осы кезде дыбыстық белгі естіледі, және температураның өлшем бірліктері өзгереді, температураның өлшем бірліктері белгісімен (18) «С°, F°» бекітіледі.

Су көлемі жетіспеуінің көрсетілімі

- Су қоймада (3) су біткенде, құрылғы сөнеді, дыбыстық сигналдар естіледі, «бұдың» (21) қарқынды шығу белгілері қызыл түспен жанып тұрады.
- Батырманы (11) басып, құрылғыны сөндіріңіз және желі бауының айырын розеткадан суырып алыңыз, шүмегі бар қақпақты (1) және су қоймасын (3) шешіп алыңыз. Су қойманы (3) сумен толтырыңыз («Ылғалдағышты қолдану» бөлімін қараңыз). Ылғалдағыш корпусына (9) толтырылған суқоймасын (3), содан кейін шүмегі бар қақпақты (1) орнатыңыз.
- Бұдан әрі пайдалану үшін құрылғыны қосыңыз.

ТАЗАЛАУ ЖӘНЕ КҮТІМ

ЕСКЕРТУ! *Тазалау алдында дымқылдағышты сөндіріңіз және оны электр желісінен ажыратыңыз.* Қатты су пайдалану салдарынан жұмыс камерасында (7) және суқоймада (3) минералды шөгінділер түзілуге алып келеді, осының әсерінен құрылғы жұмысы нашарлауы мүмкін. Бұған жол бремену үшін:

- Тұрмыстық сүзгімен тазартылған суды, қайнатылған және тұндырылған суды пайдаланыңыз. Егер су құбырының суы кермек болса, оны 1:1 қатынаста дистильденген сумен араластыру ұсынылады. Су өте кермек болған жағдайда оны дистильденген сумен 1:2 қатынаста араластырыңыз немесе тек дистильденген суды ғана пайдаланыңыз.
- Минералдардың жоғары мөлшері бар суды пайдалану ауа ылғалдағышының жанындағы беткейлерде ақ қабаттардың пайда болуы мүмкін және бұл ылғалдағыштың ақаулығы емес.
- Су қоймадағы (3) суды аптасына екі рет ауыстырыңыз.
- Жұмыс камерасы (7) мен су қоймасын (3) бейтарап жуғыш заттың ерітіндісімен аптасына екі рет жаксылап жуыңыз.

ҚАЗАҚША

- «Тозаңдатқышты» тазарту үшін оған 5-10 тамшы тазалағыш затты тамызыңыз, шамамен 10-15 минут күтіңіз. «Тозаңдатқыш» бетінен қақты кетіріңіз, содан кейін жұмыс камерасын (7) бейтарап жуатын құралдың ерітіндісімен жуыңыз.
- Жұмыс камерасын (7) және су қоймасын (3) бірнеше рет шайыңыз. Жұмыс камерасын (7) жұмсақ матамен сүртіңіз.
- Ылғалдағыштың корпусын (9) жұмсақ, сәл дымқыл матамен сүртіп, содан кейін құрғатып сүртіңіз.
- Ластануына қарай ауа қабылдағыш торын (9а 10) және поролон сүзгісін шешіп алыңыз және тазалаңыз.

Ескертпе:

- *ылғалдағыштың корпусын суға немесе басқа да кез келген сұйықтықтарға батырмаңыз.*
- *«тозаңдатқышты» тазалау үшін абразивті тазартқыш құралдары мен еріткіштерді пайдаланбаңыз.*
- *«тозаңдатқышқа» арналған тазалағыш зат ретінде, шайнекке арналған қақпан тазартқыш құралын, бұл құралды қолдану жөніндегі нұсқаулықтағы ұсыныстарды қатаң сақтай отырып, қолдануға болады.*

Минералдық сүзгі (5)

Минералды сүзгі суды қоспалардан, ауыр металл иондарынан, бактериялардан тазартады,

АҚАУЛЫҚТАРДЫ ЖОЮ

Ақаулық	Мүмкін себептері	Ақаулықты жою
«Бу» жоқ	Құрылғы дұрыс қосылмаған	Желілік баудың айыртетігі ашалыққа салынғанын тексеріңіз.
	Құрылғы іске қосылмаған	Батырманы (11) басып, құрылғыны іске қосыңыз.
	Сауытқа су жоқ немесе су жеткіліксіз	Сауытқа судың жеткілікті көлемін құйыңыз.
Жұмыс уақытындағы бөтен иіс	Алғашқы пайдалану	Құрылғыны электр желісінен ажыратыңыз. Сауытты шешіңіз, қақпақты (6) бұрап алыңыз, сауыттан суды төгіңіз, сауытты салқын құрғақ жерге 12 сағатқа қойыңыз.
	Лас немесе тұрып қалған су	Құрылғыны электр желісінен ажыратыңыз, сауытты шешіңіз, қақпақты (6) бұрап алыңыз, сауыттан суды төгіңіз, сауытты тазалауды жүргізіңіз («Тазалау және күтім» тарауында жазылғандай), оған таза су құйыңыз.
Бөтен шуыл	Суға арналған сауыты дұрыс орнатылмаған	Суға арналған сауыттың дұрыс орнатылғанын тексеріңіз.
	Сауытқа су жеткіліксіз	Сауытқа жеткілікті су көлемін құйыңыз.
	Құрылғы түзу емес бетте орналастырылған	Құрылғыны түзу бетке орналастырыңыз.

бөтен иісті кетіреді, жұмыс істеп тұрған ауа ылғалдағышының жанында қақтың пайда болуына жол бермейді.

Минералды сүзгіні тазалау

- Минералды сүзгіні (5) айына бір рет жуу ұсынылады, «кермек суды» пайдаланғанда 2-3 рет жуу ұсынылады.
- Су қойманы (3) шешіп алыңыз, қақпақты (6) бұрап шешіп алыңыз да, минералды сүзгіні (5) сағат тіліне қарсы бұрап шешіп алыңыз.
- Сүзгіні (5) ағын су астында жуыңыз.
- Минералды сүзгіні (5) қақпаққа (6) сағат тілі бағытына бұрап орнатыңыз.

САҚТАУ

- Аспапты сақтауға қоймас бұрын, резервуардағы суды төгіп тастаңыз және жұмыс камерасы (7) мен «бүріккіштің» – құрғақ екеніне көз жеткізіңіз.
- Ылғалдағыштысу қоймада (3) немесе жұмыс камерасындағы (7) су бар болса, сақтауға тыйым салынады.
- Минералды сүзгіні (5) сақтаға қоймас бұрын оны тазартыңыз және құрғатыңыз, сүзгіні (5) қараңғы жерде қараңғылатылған салқын жерде сақтаңыз.
- Ылғалдағышты құрғақ, салқын және балалар мен мимкіндіктерді шеткіүлді адамдардың қолдары жетпейтін жерінде сақтаңыз.

ЖЕТКІЗІЛІМ ЖИНАҒЫ

Ылғалдауыш – 1 дн.
Нұқсаулық – 1 дн.

ТЕХНИКАЛЫҚ СИПАТТАМАЛАРЫ

Электрлік қуаттандыруы: 220-240 В ~ 50/60 Гц
Номиналдық тұтынатын қуаты: 30 Вт
Суға арналған сауыт көлемі: 5,6 л
Су шығыны: ≥ 300 мл/ч
Ылғалдау ауданы: 30 м²-ге дейін

ҚАЙТА ӨНДЕУ



Қоршаған ортаны қорғау мақсатында, аспаптың және қуаттандыру элементтерінің (егер жинақтың құрамына кірсе) қызмет ету мерзімі аяқталғаннан кейін, оларды күнделікті тұрмыстық қалдықтармен бірге тастауға болмайды, аспап пен қуаттандыру элементтерін ары қарай кәдеге асыру үшін мамандандырылған орындарға өткізу керек. Бұйымдарды қайта өңдеу кезінде пайда болатын қалдықтар белгіленген тәртіп бойынша келесі қайта өңделетін міндетті жинауға жатады. Берілген өнімді қайта өңдеу туралы қосымша ақпаратты алу үшін жергілікті муниципалитетке, тұрмыстық қалдықтарды қайта өңдеу қызметіне немесе берілген өнімді Сіз сатып алған дүкенге хабарласыңыз.

Дайындаушы аспапты жақсарту мақсатында, алдын-ала хабарламай, аспаптың дизайнын, конструкциясы және оның жұмыс қағидатына әсер етпейтін техникалық сипаттарын өзгерту құқығын өзіне қалдырады, соған байланысты нұсқаулық пен бұйымның арасында кейбір айырмашылықтар болуы мүмкін. Егер пайдаланушы осындай сәйкессіздіктерді анықтаса, нұсқаулықтың жаңартылған нұсқасын алу үшін сәйкессіздік туралы info@vitek.ru электрондық поштасына хабарлауыңызды сұраймыз.

Құрылғының қызмет ету мерзімі – 3 жыл

Гарантиялық міндеттілігі

Гарантиялық жағдайдағы қаралып жатқан бөлшектер дилерден тек сатып алынған адамға ғана беріледі. Осы гарантиялық міндеттілігіндегі шағымдалған жағдайда төлеген чек немесе квитанциясын көрсетуі қажет.

ЕАС

УКРАЇНЬСКА

ЗВОЛОЖУВАЧ VT-2342

Недостатня вологість у приміщенні негативно відбивається на здоров'ї людини, домашніх тваринах, рослинах та предметах меблів. Рекомендований комфортний рівень відносної вологості повітря у приміщеннях складає від 40% до 60%.

Зволожувач дозволить поліпшити якість повітря у приміщенні.

ОПИС

1. Кришка з соплом для виходу «пари»
2. Ручка для перенесення резервуара для води
3. Резервуар для води
4. Отвір для заливання води
5. Мінеральний фільтр
6. Кришка резервуара для води
7. Робоча камера з «розпилювачем»
8. Панель керування
9. Корпус
10. Решітка повітрязабірника та поролоновий фільтр

Панель керування (8)

11. Кнопка увімкнення/вимкнення «ON/OFF»
12. Кнопка інтенсивності виходу «пари» «MIST»
13. Кнопка установлення відносної вологості повітря «HUMIDI STAT»
14. Цифрові символи відносної вологості/ температури/ часу відкладеного старту/ часу автоматичного вимкнення
15. Кнопка установлення часу відкладеного старту «DELAY START»
16. Кнопка установлення часу вимкнення «AUTO OFF»
17. Символи часу/відносної вологості «H, %»
18. Символи одиниць вимірювання температури «C°, F°»
19. Кнопка увімкнення режиму іонізації «ANION»
20. Символ роботи режиму «іонізація»
21. Символи інтенсивності виходу «пари»
22. Символ роботи режиму «автовимкнення»
23. Символ роботи режиму підтримання відносної вологості
24. Символ роботи режиму «відкладений старт»

ЗАПОБІЖНІ ЗАХОДИ

Перед початком експлуатації електроприладу уважно прочитайте це керівництво з експлуатації і збережіть його для використання як довідковий матеріал.

Використовуйте пристрій тільки за його прямим призначенням, як викладено у цьому керів-

ництві. Неправильне поводження з пристроєм може привести до його поломки, спричинення шкоди користувачеві або його майну.

- Перед вмиканням переконайтеся, що напруга електричної мережі відповідає робочій напрузі пристрою.
- Встановлюйте пристрій на рівній, вологостійкій поверхні. Відстань до стін, інших предметів меблів і інтер'єру має бути не менше 30 см.
- Забороняється встановлювати пристрій на підлогові покриття з довгим ворсом.
- Не розміщайте зволожувач у місцях, схильних до дії прямих сонячних променів, високих температур, поблизу комп'ютерів або чутливої електронної техніки.
- Забороняється використовувати пристрій поза приміщеннями.
- Використовуйте лише ті знімні деталі, які входять до комплекту постачання.
- Не вмикайте прилад без води і вимикайте його, як тільки у резервуарі закінчиться вода.
- Не використовуйте газовану або забруднену воду, а також парфумерні добавки.
- Температура використовуваної води не має перевищувати +40°C.
- Не вмикайте пристрій без встановленого резервуара для води.
- Вимикайте пристрій з електромережі перед зняттям резервуара для води.
- Не накривайте пристрій.
- Не закривайте присутні отвори на корпусі пристрою і не допускайте потрапляння у них сторонніх предметів.
- Не занурюйте корпус пристрою, мережний шнур або вилку мережного шнура у воду або будь-які інші рідини.
- Під час роботи пристрою не переміщайте та не нахиляйте його, а також не знімайте резервуар для води.
- Завжди вимикайте пристрій з мережі та виливайте воду з резервуара та робочої камери під час чищення або якщо ви не користуєтеся зволожувачем.
- Перш ніж перенести пристрій в інше місце, вимкніть його з електричної мережі і злийте воду з резервуара для води і робочої камери. При перенесенні пристрою тримайте його обома руками за корпус.
- Не торкайтеся вилки мережного шнура мокрими руками.
- Регулярно робіть чищення пристрою.

- Не дозволяйте дітям торкатися корпусу пристрою та мережного шнура під час роботи пристрою.
- Цей пристрій не призначений для використання дітьми.
- Пристрій не призначений для використання особами (включаючи дітей) зі зниженими фізичними, психічними та розумовими здібностями або при відсутності у них досвіду або знань, якщо вони не знаходяться під контролем або не проінструктовані щодо використання пристрою особою, відповідальною за їх безпеку.
- Здійснюйте нагляд за дітьми, щоб не допустити використання пристрою як іграшки.
- З міркувань безпеки дітей не залишайте поліетиленові пакети, що використовуються як упаковка, без нагляду.

Увага! Не дозволяйте дітям грати з поліетиленовими пакетами або пакувальної плівкою.

Небезпека задусення!

- Вмикаючи пристрій з електромережі, ніколи не смікайте за мережний шнур, візьміться за мережну вилку і акуратно витягніть її з електричної розетки.
- При пошкодженні шнура живлення його заміну, щоб уникнути небезпеки, мають робити виробник, сервісна служба або підібний кваліфікований персонал.
- Забороняється самостійно ремонтувати пристрій. Не розбирайте пристрій самостійно, при виникненні будь-яких несправностей, а також після падіння пристрою вимкніть його з електричної розетки та зверніться до будь-якого авторизованого (уповноваженого) сервісного центру за контактними адресами, вказаними у гарантійному талоні та на сайті www.vitek.ru.
- Перевозьте пристрій лише у заводській упаковці.
- Зберігайте пристрій у місцях, недоступних для дітей і людей з обмеженими можливостями.

ПРИСТРІЙ ПРИЗНАЧЕНИЙ ТІЛЬКИ ДЛЯ ПОБУТОВОГО ВИКОРИСТАННЯ У ЖИТЛОВИХ ПРИМІЩЕННЯХ, ЗАБОРОНЯЄТЬСЯ КОМЕРЦІЙНЕ ВИКОРИСТАННЯ ТА ВИКОРИСТАННЯ ПРИСТРОЮ У ВИРОБНИЧИХ ЗОНАХ ТА РОБОЧИХ ПРИМІЩЕННЯХ.

ПЕРЕД ПЕРШИМ ВИКОРИСТАННЯМ

Після транспортування або зберігання пристрою при зниженій температурі необхідно

витримати його при кімнатній температурі не менше трьох годин.

Всередині зволожувача можуть знаходитися сліди води – це нормальне явище, оскільки пристрій проходить контроль якості.

- Розпакуйте зволожувач, видаліть пакувальні матеріали та будь-які рекламні наклейки, що заважають роботі пристрою. Огляньте пристрій на предмет пошкоджень. Якщо є пошкодження, не вмикайте зволожувач.
- Перед увімкненням у мережу переконайтеся, що напруга електричної мережі відповідає робочій напрузі пристрою.
- Пристрій призначений для роботи в мережі змінного струму з частотою 50 Гц або 60 Гц, для роботи пристрою при потрібній номінальній частоті ніяке налаштування не потребується.

Примітки:

- використовуйте зволожувач при температурі у приміщенні від +10°C до +40°C та відносній вологості менше 80%.
- температура використовуємої води не має бути вище +40°C.

ВИКОРИСТАННЯ ЗВОЛОЖУВАЧА ПОВІТРЯ

Примітки:

- кнопки вибору та встановлення режимів роботи сенсорні, для увімкнення потрібного режиму роботи кнопки досить торкнутися, кожне торкання активної кнопки супроводжується звуковим сигналом.
- Зніміть кришку з соплом (1).
- Візьміться за ручку (2) резервуара для води (3) та зніміть його з корпусу (9).
- Переверніть резервуар (3), відкрутіть кришку (6), повертаючи її проти годинникової стрілки.
- Наповніть резервуар (3) необхідною кількістю води, вставте кришку (6) у заливальний отвір (4) та закрутіть її, повертаючи за годинниковою стрілкою.
- Установіть на місце спочатку наповнений резервуар (3), а потім кришку з соплом (1).
- Почекайте деякий час, поки робоча камера (7) заповниться водою.

Примітки:

- перед першим використанням рекомендується на декілька хвилин помістити мінеральний фільтр (5) у посудину з водою кімнатної температури.
- зніміть фільтр (5) з кришки (6), повернувши його проти годинникової стрілки, опустіть

УКРАЇНЬСКА

фільтр (5) на декілька хвилин у посудину з водою, вийміть фільтр з води, дайте стекти залишкам води, установіть його на кришку (6) та поверніть за годинниковою стрілкою до упору.

- Вставте вилку мережного шнура в електричну розетку, при цьому прозвучить звуковий сигнал, і на панелі керування (8) відобразяться цифрові символи (14) температури та відносної вологості у приміщенні, а також символи (17, 18).

Примітка: - для вибору одиниць вимірювання температури «С° або F°» натисніть та утримуйте кнопку увімкнення режиму «іонізації» (19), при цьому прозвучить звуковий сигнал, і одиниці вимірювання температури зміняться, одиниці вимірювання температури підтверджуються символами (18).

- Увімкніть пристрій, торкнувшись кнопки увімкнення/вимкнення «ON/OFF» (11), при цьому прозвучить звуковий сигнал, пристрій увімкнеться на мінімальній інтенсивності виходу «пари», засвітиться один символ інтенсивності виходу «пари» (21).
- Для вимкнення зволожувача повторно торкніться кнопки (11) «ON/OFF».
- Витягніть вилку мережного шнура з електричної розетки.

Примітки:

- показання рівня вологості можуть трохи відрізнитися від показань іншого гігрометра.
- показання рівня вологості залежать від температури у приміщенні.
- протяги або інші повітряні потоки можуть значно впливати на показання вологості та температури повітря у приміщенні.

КНОПКИ КЕРУВАННЯ РЕЖИМАМИ РОБОТИ

Кнопка увімкнення/вимкнення «ON/OFF» (11)

- Торкніться кнопки (11) для увімкнення пристрою, для вимкнення пристрою торкніться кнопки (11) ще раз.

Кнопка інтенсивності виходу «пари»

«MIST» (12)

- Послідовно торкаючись кнопки (12), Ви можете вибрати інтенсивність виходу «пари», інтенсивність виходу «пари» відображається символами (21).

Кнопка установлення відносної вологості повітря «HUMIDI STAT» (13)

Відносна вологість – це відношення масової частки водяної пари у повітрі до максимально

можливої при даній температурі, відносна вологість вимірюється у відсотках та позначається, наприклад, «45%».

Атмосферне повітря завжди містить водяну пару, процент якого залежить від метеорологічних умов, чим вище температура, тим більше повітря утримує водяної пари. Коли холодне повітря нагрівається до комфортної температури узимку, відносний процент водяної пари падає, це і є відносна вологість.

Для підтримання комфортних умов у приміщенні необхідною штучне додання води або водяної пари у навколишнє повітря – для цього і необхідний зволожувач повітря.

Комфортна відносна вологість для людини – «45-65%»; у профілактичних та лікувальних цілях – «40-55%»; для меблів, музичних інструментів та бібліотек рекомендується підтримувати відносну вологість повітря «40-60%».

- Увімкніть зволожувач та установіть необхідний рівень інтенсивності виходу «пари».
- Послідовно торкаючись кнопки (13), Ви можете установити бажаний рівень відносної вологості у приміщенні у діапазоні від 40% до 95% з кроком 5%, рівень вологості відображається цифровими символами (14) та символом (23).
- При досягненні встановленого рівня вологості подача «пари» вимкнеться, символи інтенсивності подачі «пари» (21) погаснуть, при зменшенні рівня вологості повітря подача «пари» увімкнеться, і символи інтенсивності подачі «пари» (21) засвіяться.
- Для вимкнення режиму підтримання встановленої вологості торкайтеся кнопки (13) доти, поки символ (23) не погасне, при цьому цифровими символами (14) відобразиться відносна вологість та температура у приміщенні.

Кнопка установлення часу відкладеного старту «DELAY START» (15)

- Увімкніть зволожувач та установіть необхідний рівень інтенсивності виходу «пари».
- Торкніться кнопки (15), цифровими символами (14) відобразиться час «відкладений старт» «1:00», та засвітиться символ (17) «Н». Послідовно торкаючись кнопки (15), Ви можете встановити час «відкладений старт» у діапазоні від 1 до 24 годин, крок установлення 1 година, після установлення часу «відкладений старт» розділові точки «:» почнуть блимати, і почнеться зворотний відлік часу, що залишився до увімкнення зволожувача, решта часу відображається

цифровими символами (14) та символом (17) «Н».

- Для скидання часу «відкладений старт» один раз торкніться кнопки «ON/OFF» (11), зволожувач увімкнеться та працюватиме з раніше встановленими настройками.

Кнопка установлення часу вимкнення «AUTO OFF» (16)

- Увімкніть зволожувач та установіть необхідний рівень інтенсивності виходу «пари».
- Торкніться кнопки (16), цифровими символами (14) відобразиться час «автовимкнення» «1:00», та засвітиться символ (17) «Н». Послідовно торкаючись кнопки (16), Ви можете встановити час «автовимкнення» у діапазоні від 1 до 24 годин, крок установлення 1 година, після установлення часу «автовимкнення» розділові точки «:» почнуть блимати, і почнеться зворотний відлік часу, що залишився до вимкнення зволожувача, цифровими символами (14) відобразиться відносна вологість/температура/ решта часу роботи зволожувача.
- Для скидання часу «автовимкнення» послідовно торкніться кнопки (16) до скидання показань часу «відкладений старт», після цього зволожувач увімкнеться та працюватиме з раніше встановленими настройками.

Кнопка увімкнення режиму іонізації «ANION» (19)

- Після торкання кнопки (19) увімкнеться генератор негативних іонів, і засвітиться символ (20).
- Для вимкнення режиму іонізації торкніться кнопки (19) ще раз, символ (20) погасне.
- Для вибору одиниць вимірювання температури «С° або F°» натисніть та утримуйте кнопку увімкнення режиму «іонізації» (19), при цьому прозвучить звуковий сигнал, і одиниці вимірювання температури зміняться, одиниці вимірювання підтверджуються символами (18) «C°, F°»

Індикація недостатньої кількості води

- Коли у резервуарі (3) закінчиться вода, пристрій вимкнеться, прозвучать звукові сигнали, символи інтенсивності виходу «пари» (21) світитимуться червоним кольором.
- Вимкніть пристрій, торкнувшись кнопки (11), та вийміть вилку мережного шнура з роз-

етки, зніміть кришку з соплом (1) та резервуар (3). Наповніть резервуар (3) водою (див. розділ «Використання зволожувача повітря»). Установіть на корпус зволожувача (9) спочатку наповнений водою резервуар (3), а потім – кришку з соплом (1).

- Увімкніть пристрій для подальшої експлуатації.

ЧИЩЕННЯ ТА ДОГЛЯД

ПОПЕРЕДЖЕННЯ! *Обов'язково вимикайте зволожувач та вимикайте його з електромережі перед чищенням.*

Тверда вода викликає з'явлення мінеральних відкладень у робочій камері (7) та у резервуарі (3), що призводить до погіршення роботи пристрою. Щоб уникнути цього:

- використовуйте воду, яка пройшла очищення побутовим фільтром, кип'ячену та відстояну воду. Якщо водопровідна вода тверда, то рекомендується змішувати її з дистильованою водою у співвідношенні 1:1. При дуже твердій воді змішуйте її з дистильованою водою у співвідношенні 1:2 або використовуйте тільки дистильовану воду.
- Використання води з високим вмістом мінералів може призвести до утворення білого нальоту на поверхнях поблизу зволожувача повітря, і це не є дефектом зволожувача.
- Мінняйте воду у резервуарі (3) двічі на тиждень.
- Ретельно промивайте робочу камеру (7) та резервуар (3) розчином нейтрального мийного засобу двічі на тиждень.
- Для очищення «розпилювача» крапніть на нього 5-10 крапель очищувального засобу, почекайте приблизно 10-15 хвилин. Усуньте наліт з поверхні «розпилювача», після чого промийте робочу камеру (7) розчином нейтрального мийного засобу.
- Сполощіть декілька разів робочу камеру (7) та резервуар (3). Протріть робочу камеру (7) м'якою тканиною.
- Корпус зволожувача (9) протирайте м'якою, злегка вологою тканиною, після чого витріть насухо.
- У міру забруднення знімайте та очищайте решітку фільтрозабірника (9а 10) та поролоновий фільтр.

Примітки:

- не занурюйте корпус зволожувача у воду або у будь-які інші рідини.

УКРАЇНЬСКА

- не використовуйте для чищення «розпилювача» абразивні очищувальні засоби та розчинники.
- як очищувальний засіб для «розпилювача» можна використовувати засіб для усунення накипу у чайниках, строго дотримуючись рекомендації в інструкції щодо використання даного засобу.

Мінеральний фільтр (5)

Мінеральний фільтр очищає воду від домішок, від іонів важких металів, бактерій, видаляє сторонній запах, запобігає з'явленню білого нальоту поблизу працюючого зволожувача повітря.

Чищення мінерального фільтра

- Мінеральний фільтр (5) рекомендується промивати раз на місяць, при використанні «твердої води» – 2-3 рази на місяць.
- Зніміть резервуар (3), відкрутіть кришку (6) та зніміть її, зніміть мінеральний фільтр (5),

повернувши його проти годинникової стрілки.

- Промийте фільтр (5) під струменем проточної води.
- Установіть мінеральний фільтр (5) на кришку (6), повернувши його за годинниковою стрілкою.

ЗБЕРІГАННЯ

- Перш ніж забрати пристрій на зберігання, злийте воду з резервуара та переконайтеся, що робоча камера (7) та «розпилювач» – сухі.
- Забороняється зберігати зволожувач, якщо є вода у резервуарі (3) або у робочій камері (7).
- Перед тим, як забрати на зберігання мінеральний фільтр (5), проведіть його чищення та висушіть, зберігайте фільтр (5) у прохолодному затемненому місці.
- Зберігайте зволожувач у сухому прохолодному місці, недоступному для дітей та людей з обмеженими можливостями.

УСУНЕННЯ НЕСПРАВНОСТЕЙ

Несправність	Можливі причини	Усунення несправностей
Немає «пари»	Неправильне підмикання пристрою	Перевірте, чи вставлена вилка мережного шнура у розетку.
	Пристрій не увімкнений	Увімкніть пристрій, натиснувши кнопку (11).
	Немає води або недостатньо води у резервуарі	Залийте у резервуар достатню кількість води.
Сторонній запах під час роботи	Перше використання	Вимкніть пристрій з електромережі. Зніміть резервуар, відкрутіть кришку (6), злийте воду з резервуара для води, помістіть резервуар у прохолодне сухе місце на 12 годин.
	Брудна або застоювана вода	Вимкніть пристрій з електромережі, зніміть резервуар, відкрутіть кришку (6), злийте воду з резервуара для води, проведіть чистку резервуара (як описано у розділі «Чищення та догляд»), залийте у нього чисту воду.
Сторонній шум	Неправильно встановлений резервуар для води	Перевірте правильність установлення резервуара для води.
	Недостатньо води в резервуарі	Залийте у резервуар достатню кількість води.
	Пристрій розміщений на нерівній поверхні	Розмістіть пристрій на рівній стійкій поверхні.

КОМПЛЕКТ ПОСТАЧАННЯ

Зволожувач – 1 шт.
Інструкція – 1 шт.

ТЕХНІЧНІ ХАРАКТЕРИСТИКИ

Електроживлення: 220-240 В ~ 50/60 Гц
Номінальна споживана потужність: 30 Вт
Місткість резервуара для води: 5,6 л
Витрата води: ≥ 300 мл/година
Площа зволоження: до 30 м²

УТИЛІЗАЦІЯ



Для захисту навколишнього середовища після закінчення терміну служби пристрою та елементів живлення (якщо входять до комплекту) не викидайте їх разом зі звичайними побутовими відходами, передайте пристрій та елементи живлення у спеціалізовані пункти для подальшої утилізації. Відходи, що утворюються при утилізації виробів, підлягають обов'язковому збору з подальшою утилізацією установленим порядком. Для отримання додаткової інформації про утилізацію даного продукту зверніться до місцевого муніципалітету, служби утилізації побутових відходів або до крамниці, де Ви придбали цей продукт.

Виробник зберігає за собою право змінювати дизайн, конструкцію та технічні характеристики, які не впливають на загальні принципи роботи пристрою, без попереднього повідомлення, через що між інструкцією та виробом можуть спостерігатися незначні відмінності. Якщо користувач виявив такі невідповідності, просимо повідомити про це по електронній пошті info@vitek.ru для отримання оновленої версії інструкції.

Термін служби пристрою – 3 роки

Гарантія

Докладні умови гарантії можна отримати в дилера, що продав дану апаратуру. При пред'явленні будь-якої претензії протягом терміну дії даної гарантії варто пред'явити чек або квитанцію про покупку.



Даний продукт відповідає вимогам Директиви 2014/30/ЄС щодо електромагнітної сумісності та Директиви 2014/35/ЄС щодо низьковольтного обладнання.

НЫМДАТКЫЧ VT-2342

Имараттын ичиндеги төмөндөгөн нымдуулук адамдын, үй жаныбарлардын ден соолугуна, өсүмдүктөрдүн, эмеректин абалына негативдүү таасирин эткизет. Имараттандын ичиндеги рекомендацияланган жайлуу абанын салыштырмалуу нымдуулугунун деңгээли 40%-60% түзөт.

Нымдаткыч имараттын ичиндеги абанын сапатын өзгөртүү мүмкүнчүлүгүн берет.

СЫПАТТАМА

1. «Буу» чыгуучу чоргосу бар капкагы
2. Суу куюлуучу чукурду ташуу үчүн тутка
3. Суу куюлуучу чукур
4. Суу куюу үчүн тешиги
5. Минералдык чыпка
6. Суу куюлуучу чукурдун капкагы
7. «Чаңдаткычы» бар иштөө камерасы
8. Башкаруу панели
9. Корпус
10. Аба алгычтын панжарасы поролон чыпкасы менен

Башкаруу панели (8)

11. Иштетүү/өчүрүү баскычы «ON/OFF»
12. «Буу» чыгуу интенсивдүүлүгүнүн баскычы «MIST»
13. Абанын салыштырмалуу нымдуулугун таңдоо «HUMIDI STAT» баскычы
14. Салыштырмалуу нымдуулуктун/температуранын/стартты кийинкиге калтыруу/автоматтык түрдө өчүрүү мөөнөттүн цифралуу белгилери
15. Стартты кийинкиге калтыруу мөөнөтүн коюу «DELAY START» баскычы
16. Автоматтык түрдө өчүүнүн мөөнөтүн коюу «AUTO OFF» баскычы
17. Убакыт/салыштырмалуу нымдуулуктун белгилери «H, %»
18. Температуранын өлчөм бириндигинин белгиси «°C, °F»
19. Ионизациялоо режимин иштетүү «ANION» баскычы
20. «Ионизация» режими иштегенинин белгиси
21. «Буу» чыгуунун интенсивдүүлүктүн белгилери
22. «Автоматтык түрдө өчүрүү» режими иштегенинин белгиси
23. Салыштырмалуу нымдуулукту сактоо режими иштегендин белгиси
24. «Стартты кийинкиге калтыруу» режими иштегендин белгиси

КООПСУЗДУК ЧАРАЛАРЫ

Электр шайманды пайдалануудан мурун колдонмону көңүл коюп окуп-үйрөнүп, маалымат катары сактап алыңыз.

Шайманды тике дайындоо боюнча гана, ушул колдонмодо жазылганга ылайыктуу колдонуңуз. Шайманды туура эмес пайдалануу анын бузулуусуна, колдонуучуга же колдонуучунун мүлкүнө зыян келтирүүгө алып келиши мүмкүн.

- Шайманды биринчи жолу иштеткенден мурун шаймандын иштөөчү чыңалуусу электр тармагынын чыңалуусуна ылайык болгонун текшерип алыңыз.
- Шайманды тегиз суу өткөзбөс беттин үстүнө коюңуз. Шайман менен дубалдардын, эмерек жана интерьер буюмдарынын аралыгы 30 см. кем эмес болуу зарыл.
- Шайманды тугу узун жертамадагы килемдердин үстүнө коюуга тыюу салынат.
- Нымдаткычты тике күн нурунун, жогорку температуралардын таасири бар жерлерге, компьютер же сезгич электрондук аспаптардын жанында жайгашпаңыз.
- Шайманды имараттардын сыртында колдонууга тыюу салынат.
- Жыйынтыгына кирген гана чечилүүчү бөлүктөрүн колдонуңуз.
- Шайманды суусыз иштетпеңиз, резервуарда суу түгөнгөн болсо, шайманды токтоосуз өчүрүңүз.
- Газдалган же кирделген сууну жана парфюмерия кошумчаларын колдонбоңуз.
- Колдонулган суунун температурасы +40°C ашпашы керек.
- Суу куюлуучу резервуары орнотулбаган шайманды иштетпеңиз.
- Суу куюлуучу резервуарды чечүүнүн алдында шайманды электр тармагынан ажыратыңыз.
- Шаймандын үстүн жаппаңыз.
- Шаймандын корпусундагы тешиктерди жаппай, аларга башка буюмдар түшүүсүнө жол бербейиз.
- Шаймандын корпусун, электр шнурун же кубаттуучу сайгычын сууга же башка суюктуктарга салбаңыз.
- Шайман иштегеп турган мезгилинде аны жылдырбай, эңкейтпеңиз да суу куюлуучу резервуарын чечпеңиз.
- Нымдаткычты тазалоонун алдында же көпкө чейин колдонбогон учурда шайманды электр тармагынан милдеттүү түрдө

ажыратып, резервуарындагы жана иштөө камерасындагы сууну төгүңүз.

- Шайманды башка жерге ташуунун алдында аны электр тармагынан ажыратып, резервуарындагы жана иштөө камерасындагы сууну төгүңүз. Шайманды ташыганда, эки колуңуз менен корпусунан кармап көтөрүңүз.
- Кубаттуучу вилкасын суу колуңуз менен тийбеңиз.
- Шайманды мезгилдүү түрдө тазалап туруңуз.
- Шайман иштеп турган учурда балдарга шаймандын корпусун жана электр шнурун тийүүгө уруксат бербейсиз.
- Бул шайман балдар колдонгону үчүн арналган эмес.
- Бул шайман дене күчү, сезими же акыл-эси жагынан жөндөмдүүлүгү төмөн (ошонун ичинде балдар да) адамдар же колдонуу боюнча тажрыйбасы же билими жок болгон адамдар, эгерде алардын коопсуздугуна жооптуу адам аларды көзөмөлдөп же шайманды колдонуу жөнүндө инструкциялаган болбосо колдонуу үчүн ылайыкташтырылбаган.
- Шайманды оюнчук катары колдонбоо үчүн балдарга көз салыңыз.
- Балдардын коопсуздугу үчүн таңгак катары колдонулган полиэтилен баштыктарды кароосуз таштабаңыз.

Көңүл буруңуздар! Полиэтилен баштыктар же таңгак пленкасы менен ойногонго балдарга уруксат бербейсиз! **Тумчуктуруунун коркунучу бар!**

- Шайманды электр тармагынан сурганды шнурду кармап эч качан тартпаңыз, сайгычын кармап, акырын розеткасынан чыгарыңыз.
- Электр шнуру бузук болгондо коопчулуктарга жол бербегени үчүн аны өнүктүрүүчү, тейлөө кызмат же аларга окшогон дасыккан кызматкерлер алмаштырууга тийиш.
- Шайманды өз алдынча оңдогонго тыюу салынат. Шайманды оз алдынча ажыратпай, ар кыл бузулуулар пайда болгон же шайман кулап түшкөн учурларда аны розеткадан суруп, кепилдик талонундагы же www.vitek.ru сайтындагы тизмесине кирген автордоштурулган (ыйгарым укуктуу) тейлөө борборуна кайрылыңыз.
- Шайманды заводдук таңгагында гана транспорттоо зарыл.

- Шайманды балдар жана жөндөмдүүлүгү төмөн болгон адамдар жетпеген кургак салкын жеринде сактаңыз.

АСПАП ТУРАК ЖАЙЛАРДА ТУРМУШ-ТИРИЧИЛИК КОЛДОНУУГА ГАНА АРНАЛГАН, КОММЕРЦИЯЛЫК КОЛДОНУУГА, ӨНӨР ЖАЙ ЗОНАЛАРЫНДА ЖЕ ЖУМУШ ИМАРАТТАРДА КОЛДОНУУГА ТЫЮУ САЛЫНАТ.

БИРИНЧИ КОЛДОНУУНУН АЛДЫНДА

Түзмөктү төмөн температурада ташылган же сакталган болсо, бөлмөнүн температурасында кеминде үч саат кармап туруп, анан иштетүү керек.

Нымдаткычтын ичинде суунун тактары болгону мүмкүн – бул нормалдуу көрүнүш, себеби шайман сыпат контролдон өткөн.

- Нымдаткычты таңгактан чыгарып, таңгак материалдарын жана шаймандын иштөөсүнө тоскоолдук кылган ар кандай чаптамаларды сыйрып алыңыз. Түзмөктүн бүтүндүгүн текшерип алыңыз. Бузулуулары бар болсо, нымдаткычты иштетпейсиз.
- Шайманды электр тармагына кошуунун алдына иштөө чыңалуусу электр тармагындагы чыңалуусуна ылайык болгонун текшерипсиз.
- Түзмөк ылдамдыгы 50 Гц же 60 Гц болгон алмашма ток тармагында иштөөгө арналган, зарыл болгон ылдамдыгында иштегени үчүн эч кошумча жөндөөнүн зарылдыгы жок.

Эскертүү:

- *Нымдаткычты температурасы +10°C-тан +40°C-ка чейин жана салыштырмалуу нымдуулугу 80%-тен кем болгон имараттарда колдонуңуз.*
- *Колдулган суунун температурасы +40°C ашык болбоо зарыл.*

АБА НЫМДАТКЫЧТЫН КОЛДОНУУ

ЭРЕЖЕЛЕРИ

Эскертүү:

- *режимдерди таңдоо жана коюу баскычтар сенсордук, керектүү иштөө режимин коюу үчүн баскычты тийсеңиз гана жетиштүү, активдүү баскычты тийгенди ар дайым үн белгиси белгилейт.*
- Чоргосу бар капкакты (1) чечиңиз.
- Суу куюлуучу чукурун (3) туткасынан (2) кармап, аны корпустан (9) чечиңиз.

КЫРГЫЗ

- Чукурду (3) көмкөрүп, капкагын (6) саат жебесинин багытына каршы бурап ачыңыз.
- Чукурду (3) суунун керектүү өлчөмү менен толтуруп, капкагын (6) суу куюу үчүн тешигине (4) орнотуп, саат жебенин багыты боюнча бурап жабыңыз.
- Биринчи толтурулган чукурду (3), андан кийин чоргосу менен капкакты (1) ордуна орнотуңуз.
- Иштөө камерасы (7) суу менен толтурулганга чейин бир аз күтүңүз.

Эскертүү:

- биринчи колдонуунун алдында минералдуу чыпканы (5) бир нече минутага имараттын температурасындагы суунун ичине салыңыз.
- чыпканы (5) саат жебесинин багытына каршы бурап капкактан (6) чечиңиз, чыпканы (5) бир нече минутага суу менен толтурулган идиштин ичине салыңыз, чыпканы суудан чыгарып, калган суусун агызып, аны капкактын (6) үстүнө орнотуп, саат жебесинин багыты боюнча токтогонго чейин бураңыз.
- Тармактык шнурдун сайгычын электр розеткасына сайыңыз, ошондо үн белгиси пайда болуп, башкаруу панелинде (8) имараттагы температура менен салыштырмалуу нымдуулуктун цифралуу белгилери (14) менен (17, 18) белгилери көрсөтүлөт.

Эскертүү: - температуранын өлчөм бирдиктерин «С° же F°» таңдоо үчүн «ионизациялоо» режимин иштетүү баскычын (19) басып туруңуз, ошондо үн белгиси пайда болуп, температуранын өлчөм бирдиктери алмаштырылат, температуранын өлчөм бирдиктери (18) белгилери менен далилденет.

- Иштетүү/өчүрүү баскычын «ON/OFF» (11) басып түзмөктү иштетиңиз, ошондо үн белгиси пайда болуп, түзмөк «буу» чыгуунун минималдуу интенсивдүүлүгүндө иштейт, «буу» чыгуунун интенсивдүүлүгүнүн белгилеринин бири (21) күйөт.
- Нымдаткычты өчүрүү үчүн «ON/OFF» баскычты (11) кайрадан тийиңиз.
- Тармактык шнурдун айрысын розеткадан сууруңуз.

Эскертүү:

- нымдуулук деңгээлдин көрсөткүчтөрү башка гигрометрдин көрсөткүчтөрүнөн бир аз айырмаланышы мүмкүн.

- нымдуулук деңгээлинин көрсөткүчтөрү имараттагы температурасына байланышкан.
- өтмө шамал же башка аба агымдары имараттагы абанын нымдуулугу жана температурасынын көрсөткүчтөрүнө чоң таасир этет.

ИШТӨӨ РЕЖИМДЕРИН БАШКАРУУ БАСКЫЧТАРЫ

«ON/OFF» иштетүү/өчүрүү баскычы (11)

- Баскычты (11) тийип, түзмөктү иштетиңиз, түзмөктү өчүрүү үчүн баскычты (11) кайрадан тийиңиз.

«Буу» чыгуунун интенсивдүүлүгүнүн «MIST» баскычы (12)

- Баскычты (12) улам басып, «буу» чыгуунун интенсивдүүлүгүн таңдасаңыз болот, «буу» чыгуунун интенсивдүүлүгү белгилери (21) менен көрсөтүлөт.

Абанын салыштырмалуу нымдуулугун таңдоо «HUMIDI STAT» (13) баскычы

Салыштырмалуу нымдуулук бул абадагы суу буунун массалык бөлүгү кезектеги температура шарттарында мүмкүн болгон максималдуу нымдуулугунун ара катышы, салыштырмалуу нымдуулук проценттерде өлчөнүп, мисалы, «45%» деп жазылат.

Атмосфералык абада ар дайым суу буусу бар, анын проценти метрологиялык шарттарга байланыштуу, температурасы жогору болгон аба көп суу бууну тутат. Муздак аба кышында ыңгайлуу температурага чейин жылыганда, суу буунун салыштырмалуу проценти азаят, ушул салыштырмалуу нымдуулук деп аталат.

Имараттагы ыңгайлуу шартты сактоо үчүн айланадагы абага суу же суу бууну кошуу зарыл – ошол үчүн аба нымдаткыч керек.

Адам үчүн ыңгайлуу салыштырмалуу нымдуулук «45-65%»; профилактикалык жана дарылоо максаттары үчүн «40-55%»; эмерек, музыкалык куралдар жана китепканалар үчүн салыштырмалуу нымдуулукту «40-60%» деңгээлинде сактоо рекомендацияланат.

- Аба нымдаткычты иштетип, «буу» чыгуунун керектүү деңгээлин коюңуз.
- Баскычты (13) улам тийип, 40%-тен 95%-ке чейинки диапазонунда имараттагы нымдуулуктун керектүү деңгээлин 5% кадамы менен койсоңуз болот, нымдуулуктун

деңгээли цифралуу белгилери (14) жана белгиси (23) менен көрсөтүлөт.

- Коюлган нымдуулуктун деңгээлине жеткенде «буу» берүүсү токтотулуп, «буу» берүүнүн интенсивдүүлүгүнүн белгилери (21) өчөт, абанын нымдуулугу төмөндөгөндө «буу» берүүсү кайрадан иштеп, «буу» берүүнүн интенсивдүүлүгүнүн белгилери (21) күйөт.
- Коюлган нымдуулукту сактоо режимин өчүрүү үчүн (13) баскычты (23) белгиси өчкөнүнө чейин тийип туруңуз, ошондо имараттагы температура менен салыштырмалуу нымдуулук цифралуу белгилери (14) аркылуу көрсөтүлөт.

Стартты кийинкиге калтыруу мөөнөтүн коюу «DELAY START» (15) баскычы

- Аба нымдаткычты иштетип, «буу» чыгуунун керектүү деңгээлин коюңуз.
- Баскычты (15) тийиңиз, «стартты кийинкиге калтыруу» «01:00» мөөнөтү цифралуу белгилери (14) аркылуу көрсөтүлүп, «Н» белгиси (17) пайда болот. Баскычты (15) улам басып, «стартты кийинкиге калтыруу» мөөнөтүн 1 сааттан 24 саатка чейинки диапазонунда 1 саат кадамы менен койсоңуз болот, «стартты кийинкиге калтыруу» мөөнөттү койгондон кийин бөлгүч чекиттер «:» үлпүлдөп, нымдаткыч иштеп баштаганына калган мөөнөттү артка саноосу башталып, калган мөөнөт цифралуу белгилери (14) менен «Н» белгиси (17) аркылуу көрсөтүлөт.
- «Стартты кийинкиге калтыруу» мөөнөттү токтотуу үчүн «ON/OFF» баскычты (11) бир жолу тийиңиз, нымдаткыч иштеп, мурда коюлган ырасталышы менен иштейт.

Автоматтык түрдө өчүүнүн мөөнөтүн коюу «AUTO OFF» (16) баскычы

- Аба нымдаткычты иштетип, «буу» чыгуунун керектүү деңгээлин коюңуз.
- Баскычты (16) тийиңиз, «автоматтык түрдө өчүү» «01:00» мөөнөтү цифралуу белгилер (14) аркылуу көрсөтүлүп, «Н» белгиси (17) күйөт. Баскычты (16) улам басып, «автоматтык түрдө өчүү» мөөнөтүн 1 сааттан 24 саатка чейинки диапазонунда 1 саат кадамы менен койсоңуз болот, «автоматтык түрдө өчүү» мөөнөттү койгондон кийин бөлгүч чекиттер «:» үлпүлдөп, нымдаткыч өчкөнүнө калган мөөнөттү артка саноосу башталып, салыштырмалуу нымдуулук/ температура/нымдаткыч өчкөнүнө чейин

калган мөөнөт цифралуу белгилери (14) аркылуу көрсөтүлөт.

- «Автоматтык түрдө өчүү» мөөнөтүн токтотуу үчүн (16) баскычты «стартты кийинкиге калтыруу» мөөнөтү өчкөнүнө чейин улам басып туруңуз, ошондо аба нымдаткыч иштеп, мурда коюлган ырасталышы менен иштейт.

Ионизация режимин иштетүү «ANION» (19) баскычы

- (19) баскычты тийгенде, терс иондордун генератору иштеп, (20) белгиси пайда болот.
- Ионизациялоо функциясын өчүрүү үчүн (19) баскычты кайрадан басыңыз, (20) белгиси өчөт.
- температуранын өлчөм бирдиктерин «С° же F°» таңдоо үчүн «ионизациялоо» режимин иштетүү баскычын (19) басып туруңуз, ошондо үн белгиси пайда болуп, температуранын өлчөм бирдиктери алмаштырылат, температуранын өлчөм бирдиктери (18) «С°, F°» белгилери менен далилденет.

Суу аз болгондун индикатору

- Чукурда (3) суу түгөнгөндө, түзмөк өчүп, үн белгилери пайда болуп, «буу» чыгуунун интенсивдүүлүгүнүн белгилери (21) кызыл болуп күйөт.
- Баскычты (11) тийип түзмөктү өчүрүп, тармактык шнурунун сайгычын розеткадан чыгарып, чоргосу бар капкак (1) менен чукурду (3) чечиңиз. Чукурду (3) суу менен толтуруңуз («Аба нымдаткычты иштетүү» бөлүгүн караңыз). Нымдаткычтын корпусуна (9) биринчи суу менен толтурулган чукурду (3) андан соң чоргосу бар капкакын (1) орнотуңуз.
- Шайманды кайрадан иштетиңиз.

ТАЗАЛОО ЖАНА ТЕЙЛӨӨ

ЭСКЕРТҮҮ! Тазалоонун алдында ар дайым шайманды өчүрүп, электр тармагынан чыгарыңыз.

Катуу суу иштөө камерасында (7) жана чукурда (3) минералдуу катмарларын жаратат, бул нымдаткычтын иштегенин начарлатат. Андай болбоо үчүн:

- турмуш-тиричилик чыпкасынан өткөн, кайнатылган же тондурган сууну колдонуңуз. Суу түтүктөгү суу катуу болсо, аны дистилляцияланган суу менен 1:1 ара катышында кошуу рекомендацияланат. Суу абдан катуу болсо, аны дистилляцияланган суу менен 1:2 ара катышында кошуп же дистилляцияланган сууну гана колдонуңуз.

КЫРГЫЗ

- Минералдар көп болгон сууну колдонуу нымдаткычтын жанындагы беттерде ак катмар пайда болгонуна алып келүү мүмкүн болуп, нымдаткычтын начар иштегенинин белгиси эмес.
- Чукурдагы (3) сууну бир жумада эки жолу алмаштырыңыз.
- Жумада эки жолу иштөө камерасын (7) жана чукурун(3) нейтралдуу жуучу каражат менен жакшылап жууңуз.
- Тазалоочу каражаттын 5-10 тамчыны «чаңдаткычтын» үстүнө тамчылап 10-15 минутага жакын күтүңүз. «Чаңдаткычтын» үстүндөгү минералдуу жука кабатын кетириңиз да иштөө камерасын (7) нейтралдуу жуучу каражаттын эритмеси менен жууңуз.
- Иштөө камерасын (7) жана чукурун (3) бир нече жолу чайкап салыңыз. Иштөө камерасын (7) жумушак чүпүрөк менен сүртүңүз.
- Нымдаткычтын корпусун (9) бир аз нымдуу жумшак чүпүрөк менен сүртүп, кургатып сүртүңүз.
- Аба алгычтын панжарасы (9а 10) жана поролон чыпкасы кир болгондо аларды тазалап туруңуз.

Эскертүү:

- *нымдаткычтын корпусун сууга же башка суюктуктарга салбаңыз.*
- *«чаңдаткычты» тазалоо үчүн абразивдүү жууу каражаттарды жана эриткичтерди колдонбоңуз.*
- *«чаңдаткычты» тазалоо үчүн чайнектеги көбээрди кетируүүчү каражаттарды колдонмосун аткарып колдонсоңуз болот.*

Минералдык чыпка (5)

Минералдык чыпка сууну аралашкан заттарынан, оор металлдардын иондорунан, бактериялардан тазалап, башкача жытты кетирип, иштеп турган аба нымдаткычтын жанында ак чаң пайда болгонуна жол бербейт.

Минералдык чыпканы тазалоо

- Минералдык чыпканы (5) айына бир жолу жууганы рекомендацияланат, «катуу» сууну колдонгондо - айына 2-3 жолу.
- Чукурду (3) чечип, капкакты (6) бурап чечип, минералдык чыпканы (5) саат жебесинин багытына каршы бурап чечиңиз.
- Чыпканы (5) агып турган суунун астында жууп алыңыз.
- Минералдык чыпканы (5) капкакка (6) саат жебесинин багыты боюнча бурап орнотуңуз.

САКТОО

- Шайманды сактоо үчүн алып койгондон мурун резервуардан суусун төгүп, иштөө камерасы (7) жана «чаңдаткычы» кургак болгонун текшериңиз.
- Иштөө камерасында (7) же чукурунда (3) суусу болсо шайманды сактоого тыюу салынат.
- Минералдык чыпканы (5) сактоого алып салуунун алдында аны тазалап, кургатып алыңыз, чыпканы (5) салкын караңгы жайында сактаңыз.
- Шайманды балдар жана жөндөмдүүлүгү төмөн болгон адамдар колу жетпеген жерлерде сактаңыз.

БУЗУЛУУЛАРДЫ ЖОЮУ

Бузулуу	Мүмкүн себептери	Бузулууну жоюу
«Буу» чыкпай турат	Шайман туура эмес кошулган	Электр шнурунун сайгычы розеткага сайылганын текшериңиз.
	Шайман иштетилген эмес	Баскычын (11) басып шайманды иштетиңиз.
	Резервуардагы суучу жок же аз	Резервуарга жетиштүү суунун көлөмүн куюңуз.
Шайман иштегенде башкача жыт чыгат	Шайманды биринчи иштетүүсү.	Шайманды электр тармагынан чыгарыңыз. Резервуарын чечип, капкагын (6) алыңыз, суу резервуарынан суусун төгүп, резервуарды 12 саатка кургак салкын жерге коюңуз.
	Кир же көпкө туруп калган суу	Шайманды электр тармагынан чыгарыңыз. Резервуарын чечип, капкагын (6) алыңыз, суу резервуарынан суусун төгүп, резервуарды тазалап алыңыз («Тазалоо жана тейлөө» бөлүмүндө жазылгандай), анын ичине таза сууну куюңуз.

Бузулуу	Мумкун себептери	Бузулууну жоюу
Башкача дүрүлдөө	Суу резервуары туура эмес орнотулган	Суу резервуары туура орнотулганын текшерипиз.
	Резервуардагы суусу аз	Резервуарга жетиштүү сууну куюңуз.
	Шайман тегиз эмес жерде орнотулган	Шайманды тегиз, туруктуу жерде орнотуңуз.

ЖАБДЫКТЫН ЖЫЙЫНТЫГЫ

Нымдаткыч – 1 даана.

Колдонмо – 1 даана.

ТЕХНИКАЛЫК МҮНӨЗДӨМӨСҮ

Кубаттандыруу чыңалуусу: 220-240 В ~ 50/60 Гц

Номиналдуу иштетүү кубаттуулугу: 30 Вт

Суу үчүн резервуарынын көлөмү: 5,6 л

Суунун чыгашасы: ≥ 300 мл/саат

Нымдатуу аянты: 30 м² чейин.

УТИЛИЗАЦИЯЛОО



Айлана чөйрөөнү коргоо максатында шайман менен азыктандыруучу элементтердин (эгерде топтомго кирсе) кызмат мөөнөтү бүткөндөн кийин турмуш-тиричилик калдыктары менен бирге таштабаңыз, шайман менен азыктандыруучу элементти андан ары утилизациялоо үчүн адистештирилген пункттарга бериңиз.

Шаймандарды утилизациялоодон пайда болгон калдыктарды милдеттүү түрдө чогултуп, андан соң белгиленген жолунда утилизациялоо зарыл. Бул шайманды утилизациялоо жөнүндө кошумча маалымат алуу үчүн жергиликтүү өкмөткө,

турмуш-тиричилик калдыктарды утилизациялоо кызматына же бул шайманды алган дүкөнгө кайрылыңыз.

Өндүрүүчү шаймандардын жалпы иштөө принциптерине таасир этпеген дизайн, конструкциясын жана техникалык мүнөздөмөлөрүн алдын ала эскертпей өзгөртүү укугун сактайт, ошол себептен колдонмо менен шаймандын маанилүү эмес айырмачылыктар болуу мүмкүн. Колдонуучу ушундай келишпегендиктерди тапса, ал жөнүндө info@vitek.ru электрондук почтасына жазып, шаймандын жаңырылган версиясын алса болот.

Шаймандын кызмат мөөнөтү – 3 жыл

Кепилдик

Кепилдик берүү шарттары тууралуу толук маалыматтар буюмду саткан сатуучудан алууга болот. Кепилдик шарттарына ылайык талап кылып сатылган товарга чек же дүмүрчөктү көрсөтүү керек.



GB

A production date of the item is indicated in the serial number on the technical data plate. A serial number is an eleven-unit number, with the first four figures indicating the production date. For example, serial number 0606xxxxxxx means that the item was manufactured in June (the sixth month) 2006.

RUS

Дата производства изделия указана в серийном номере на табличке с техническими данными. Серийный номер представляет собой одиннадцатизначное число, первые четыре цифры которого обозначают дату производства. Например, серийный номер 0606xxxxxxx означает, что изделие было произведено в июне (шестой месяц) 2006 года.

KZ

Бұйымның шығарылған мерзімі техникалық деректері бар кестедегі сериялық нөмірде көрсетілген. Сериялық нөмір он бір саннан тұрады, оның бірінші төрт саны шығару мерзімін білдіреді. Мысалы, сериялық нөмір 0606xxxxxxx болса, бұл бұйым 2006 жылдың маусым айында (алтыншы ай) жасалғанын білдіреді.

UA

Дата виробництва виробу вказана в серійному номері на табличці з технічними даними. Серійний номер представляє собою одинадцятизначне число, перші чотири цифри якого означають дату виробництва. Наприклад, серійний номер 0606xxxxxxx означає, що виріб був виготовлений в червні (шостий місяць) 2006 року.

KG

Буюм иштеп чыгарылган датасы сериялык номурунда техникалык маалыматтар жадыбалында көрсөтүлгөн. Сериялык номуру он бир орундуу сан болот, анын биринчи төрт саны өндүрүш датасын көрсөтөт. Мисалы, сериялык номуру 0606xxxxxxx болгон буюм 2006 жылдын июнинде (алтынчы айында) өндүрүлгөн.



ЗАПРЕЩЕНО УТИЛИЗИРОВАТЬ
С БЫТОВЫМ МУСОРОМ.
ОБРАТИТЕСЬ НА СООТВЕТСТВУЮЩИЙ
ПУНКТ ПЕРЕРАБОТКИ ЭЛЕКТРИЧЕСКОГО
И ЭЛЕКТРОННОГО ОБОРУДОВАНИЯ.