

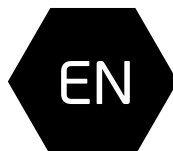
# HYUNDAI



## Электрический кондиционер Сплит-система

Руководство по эксплуатации.  
Гарантийный талон.

## Electric air conditioner Split system



Instruction manual.  
Warranty card.

### Модели / Models

Блоки для внутренней установки  
Units for indoor installation

H-ALT1-12H-UI029/I  
H-ALT1-18H-UI030/I  
H-ALT1-24H-UI031/I  
H-ALT1-36H-UI032/I  
H-ALT1-48H-UI033/I  
H-ALT1-60H-UI034/I

Блоки для наружной установки  
Units for outdoor installation

H-ALT1-12H-UI029/O  
H-ALT1-18H-UI030/O  
H-ALT1-24H-UI031/O  
H-ALT1-36H-UI032/O  
H-ALT1-48H-UI033/O  
H-ALT1-60H-UI034/O

## CONTENTS

1. Important information	3
2. Precautions	3
3. Technical characteristics	4
4. Device description	6
5. Delivery set	7
6. Device control	7
7. Operating modes	9
8. Maintenance	10
9. Troubleshooting	11
10. Service life	11
11. Utilization rules	11

## Dear Customer!

Thank you for your good choice and purchase household air conditioner Hyundai. It will serve you for a long time.

## 1. IMPORTANT INFORMATION

It is designed for cooling in residential buildings.

The manufacturer reserves the right without notice the buyer to make changes in design, equipment or technology to manufacture products in order to improve its properties. The text and figures are given instruction may be a misprint.

If after reading the instructions you still have questions regarding the operation of the unit and contact your dealer or authorized service facility for clarification. The product label is present, which are all necessary technical data and other useful information about a product. Use only for intended use as described in this manual.

## 2. PRECAUTIONS

- Do not attempt to install the air conditioner. Consult a qualified technician for installation.
- When using conditioner, you must be a number of precautions. Improper use by ignoring safety precautions can result in damage to health user and others, as well as damage to their property.
- The appliance should be monitored during its operation, especially when far from it are children.
- Do not insert fingers or foreign objects through the air release lattice indoor and outdoor units, as this can lead to injury from the rotating fan.
- Do not allow children to independently include air conditioning. Children can include air conditioning only with adult supervision.
- Do not try to repair the air conditioner. Domestic air conditioning units are under stress, it is dangerous to life! To repair the product, contact an authorized service center.
- Do not use if it is defective, or if it is dropped or damaged.
- Do not open the front panel of the device during its operation.
- Do not disassemble or modify the device.
- Immediately turn off the air conditioner from the electrical network if it goes from strange odors or smoke.
- Do not spray or pour water or other liquids on the air conditioner.
- Always unplug the air conditioner from the mains during a thunderstorm.
- Always unplug the air conditioner from the mains when not in use.
- Before cleaning and maintenance of the air conditioner disconnect from the mains. Cleaning and maintenance performed in accordance with the instructions of this manual.
- To ensure the efficient operation of air conditioning using it in a temperature-humidity conditions specified in this manual.
- Do not use dangerous chemicals to clean the device and do not let them hit on the device.
- When removing the air filter does not touch the metal parts of the device.
- To avoid overheating and fire risk and damage the internal electrical network, do not change the length of the cord and do not connect the device via electrical extension cords. an extension cord. However, you can use
- To avoid electrical hazards, damaged power cord must be changed only at authorized service centers qualified professionals.
- To avoid risk of electric shock, do not place the power cord near a heater and flammable or combustible substances.
- Do not start or stop the unit by connecting or disconnecting electrical power.
- Do not press the button on the remote control (PDU), than anything other than your fingers.
- Do not use for purposes not covered by this manual.

## 3. TECHNICAL CHARACTERISTICS

Tab.1

Indoor unit	H-ALT1-12H-UI029/I	H-ALT1-18H-UI030/I
Outdoor unit	H-ALT1-12H-UI029/O	H-ALT1-18H-UI030/O
Panel for Indoor unit	H-SQ1-CM-UI048	H-SQ1-CM-UI048
Capacity (cooling) kW	3,52	5,28
Capacity (heating) kW	3,81	5,86
Rated input (cooling) W	1085	1834
Rated input (heating) W	1235	1880
Voltage V/Hz	220~240/50	220~240/50
Rated current (cooling/heating) A	5.2/5.3	8.4/8.6
Air circulation (indoor unit) m3/h	680/600/400	860/760/500
Air circulation (outdoor unit) m3/h	2100	2439
Noise level (indoor unit) dB(A)	41/38/35	44/41/38
Noise level (outdoor unit) dB(A)	43	54
Refrigerant	R410A	R410A
Energy class (cooling/heating)	C/C	C/D
Electrical protection class	I class	I class
Degree of protection against moisture (indoor unit)	IPX0	IPX0
Degree of protection against moisture (outdoor unit)	IP24	IP24
Refrigerant piping, Liquid side / Gas side, (inch)	1/4 /1/2	1/4 /1/2
Max. refrigerant pipe length, m	15	25
Maximum difference in level, m	8	15
Net weight, indoor unit (kg)	16	19
Net weight, panel (kg)	2.5	2.5
Net weight, outdoor unit (kg)	28	37
Gross weight, indoor unit (kg)	20	21
Gross weight, panel (kg)	4.5	4.5
Gross weight, outdoor unit (kg)	30	39
Net dimensions, indoor unit (mm)	570x570x260	570x570x260
Net dimensions of panel for indoor unit (mm)	647x647x50	647x647x50
Net dimensions, outdoor unit (mm)	780x250x547	760x285x590
Packing dimensions, indoor unit (mm)	655x655x290	655x655x290
Packing dimensions of panel for indoor unit (mm)	715x715x123	715x715x123
Packing dimensions, outdoor unit (mm)	910x335x575	887x355x645

H-ALT1-24H-UI031/I	H-ALT1-36H-UI032/I	H-ALT1-48H-UI033/I	H-ALT1-60H-UI034/I
H-ALT1-24H-UI031/O	H-ALT1-36H-UI032/O	H-ALT1-48H-UI033/O	H-ALT1-60H-UI034/O
H-SQ1-ST-UI049	H-SQ1-ST-UI049	H-SQ1-ST-UI049	H-SQ1-ST-UI049
7,03	10,55	14,07	17,58
7,62	11,72	15,24	19,05
2450	3850	4885	6258
2500	3650	4948	6500
220~240/50	380~420/50	380~420/50	380~420/50
11.2/11.4	6.8/6.5	8.4/8.5	10.8/11.2
1327/1114/871	1545/1354/1187	1545/1354/1187	1800/1480/1280
3200	5000	6800	6800
49/46/40	51/47/42	52/48/43	52/48/43
59	63	63	63
R410A	R410A	R410A	R410A
C/D	D/C	C/D	C/D
I class	I class	I class	I class
IPX0	IPX0	IPX0	IPX0
IP24	IP24	IP24	IP24
3/8 /5/8	1/2 /3/4	1/2 /3/4	1/2 /3/4
25	30	50	50
15	20	25	25
24	28,7	28,7	32
5	5	5	5
48	85	97	99
30	32	32.6	36
8	8	8	8
54,5	93	107	109
840x840x230	840x840x300	840x840x300	840x840x300
950x950x55	950x950x55	950x950x55	950x950x55
842x324x695	990x354x966	900x340x1167	900x340x1167
900x900x250	900x900x320	900x900x320	900x900x320
1035x1035x90	1035x1035x90	1035x1035x90	1035x1035x90
965x395x755	1120x435x1100	1032x443x1307	1032x443x1307

## 4. DEVICE DESCRIPTION

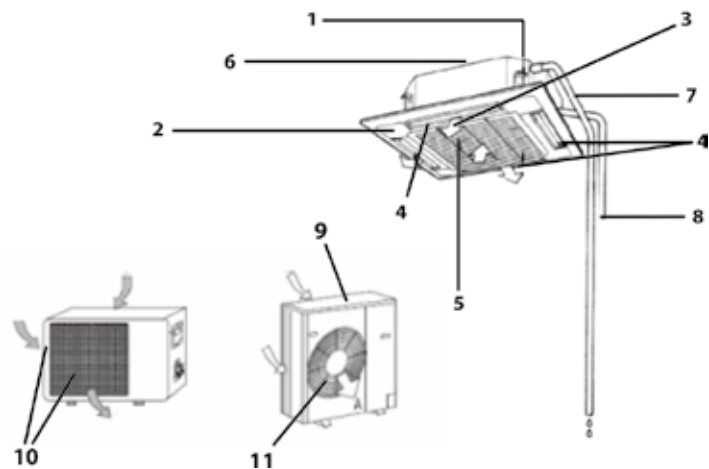


Fig. 1

The conditioner consists of indoor and outdoor units connected by pipelines. The conditioner is controlled from a remote control board or from a control panel of the indoor unit.

1. Conditioner unit for indoor installation
2. End panel of indoor-installation unit
3. Control and indication panel
4. Blinds (deflectors) for distribution of treated air
5. Air inlet of indoor unit
6. Mounting plate
7. Tube for condensate removal
8. Copper tube for gas (freon).
9. Conditioner unit for outdoor installation
10. Air inlets of outdoor unit
11. Return air grillages of outdoor unit

## 5. DELIVERY SET

Complete set of air conditioner (split system) includes:

- Conditioner unit for indoor installation - 1 piece
- Panel for indoor unit (utilities) - 1 piece
- Conditioner unit for outdoor installation - 1 piece
- Remote control - 1 piece
- Batteries for remote control board - 2 pcs.
- Operator's manual with warranty card -1 piece
- Packing of indoor-installation unit - 1 piece
- Packing of indoor unit panel - 1 piece
- Packing of outdoor-installation unit - 1 piece

## 6. DEVICE CONTROL

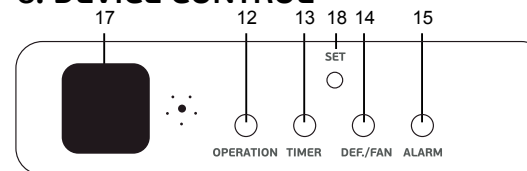


Fig. 2. Description of indoor unit control board (models H-ALT1-12H-UI029, H-ALT1-18H-UI030)

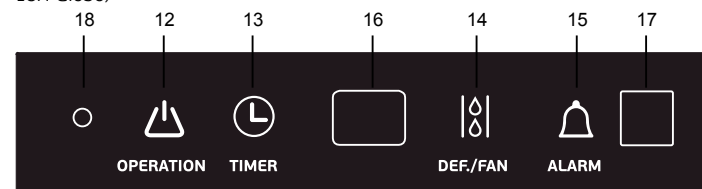


Fig. 3. Description of indoor unit control board (models H-ALT1-24H-UI031, H-ALT1-36H-UI032, H-ALT1-48H-UI033, H-ALT1-60H-UI034)

The conditioner is controlled from a remote control board or from a control panel of the indoor unit. Control and indication board of your conditioner may visually differ from a layout view shown below. Its functions will remain the same.

12. Operation indicator
13. Timer indicator
14. Defrosting-Preheating indicator
15. Indicator alarm status
16. LED display. Temperature indicator
17. Infrared signal receiver
18. Button of manual (emergency) control

Emergency control shall be used if the remote control board is lost or broken, or batteries are low. Using an emergency control button situated on the indoor unit control panel you may select COOL or AUTO mode of the conditioner work. Pressing this button, select a mode of the conditioner work: AUTO, COOL, the conditioner is OFF, AUTO again, etc.

1. Auto mode. The operation indicator lights up and the air conditioner works in the forced automatic mode. The remote controller can be used.

- Forced cooling. The operation indicator blinks and the air conditioner works in the forced cooling mode. The fan speed is high for 30 min. The remote controller cannot be used.
- Off mode. The indicator is extinguished and the air conditioner does not work. The remote controller can be used.

## REMOTE CONTROL

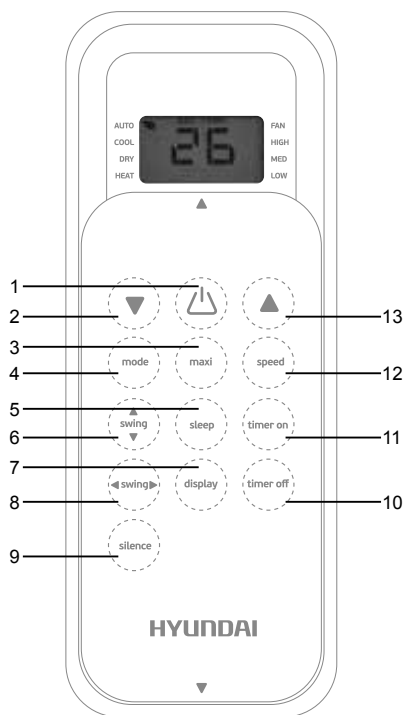


Fig. 4

Indication of the control board display shall correspond to selected modes.

- Button «ON/OFF». Using this button, you may turn the conditioner on or off.
- Button «TEMP» (decrease) for setting of the required air temperature from 17 to 30°C. Using this button, you may set the required air temperature indoors.
- Button «MAXI». Using this button you may turn on and off Maxi mode.
- Select-mode button «MODE». Using this button, you may select a required mode: Auto, Cool, Dry, Heat, Fan.
- Button «SLEEP». Press this button to activate the economy mode. Press it once again to deactivate the mode. This function can be activated in the Cooling, Heating, and Auto modes. When the ON/OFF, FAN SPEED, SLEEP, or MODE button is pressed, this mode is automatically deactivated.
- Button «SWING UP-DOWN». Using this button, you may regulate position of air-relief blinds and forward treated air to up and down.
- Button «DISPLAY». Using this button you can may to clear the display on the indoor unit. Press it again to light the display.
- Button «SWING LEFT-RIGHT». Using this button, you may regulate position of air-relief blinds and forward treated air to left and right.\*
- Button «SILENCE».\*\*
- Button «TIMER OFF». Press this button to initiate the off-delay timer. Each pressing of the button increases the timer setting by 30 min. When the reading reaches 10 hours, each pressing will increase the timer setting by 60 min. To deactivate the automatic timer function, set the value at 0.0.
- Button «TIMER ON». Press this button to initiate the on-delay timer. Each pressing of the button increases the timer setting by 30 min. When the reading reaches 10 hours, each pressing will increase the timer setting by 60 min. To deactivate the automatic timer function, set the value at 0.0.

\* only for ceiling-floor type

\*\* not used for this series

- Button «SPEED». Using this button, you may select rotation speed of the indoor unit fan: «Auto», «High», «Middle», «Low».
- Button «TEMP» (increase) for setting of the required air temperature from 17 to 30°C. Using this button, you may set the required air temperature indoors.

## Work with remote control board

Mounting and replacement of batteries: mount two LRO3 alkaline batteries, according to polarity indicated on the remote control board.

In order to avoid malfunction of the remote control board do not insert used batteries or batteries of various types.

If the conditioner is not used for a long time, remove batteries from the board or else electrolyte may leak and damage the board.

In normal operation of the conditioner average service life of batteries will be about a half-year. Replace batteries, if command receiving is not confirmed with an audio signal, or if the display does not show a sign of command transfer. When generating commands from the remote control board, point an IR-radiator at a remote-control signal receiver situated on the indoor unit. Hold the remote control board at the distance of no more than 8 m from the indoor unit. The remote control board will not work, if there are any curtains, doors or other things between it and the indoor unit. Protect the board from water and exposure to direct sunlight and heat sources.

## 7. OPERATING MODES

### «AUTO» mode

The auto mode is turned on and off with the use of the button «MODE» on the remote control board.

- During operation in the AUTO mode, the set temperature is maintained. In this mode, the air conditioner automatically selects the COOLING, VENTILATION, or HEATING mode based on the set and current temperatures.
- In the automatic mode, the fan rotation speed is selected automatically and cannot be set manually.
- If the AUTO mode does not provide comfort conditions, select the mode manually. In automatic mode, depending on air temperature in the room, the conditioner will select needed temperature parameters of its operation in the following order:

### «COOL», «HEAT» and «FAN»

- Turn the conditioner on pressing the «ON/OFF» button.
- Pressing the «MODE» button, select COOL, HEAT or FAN mode manually.
- Pressing the «TEMP» button (up-down), set the desired air temperature indoors (except for FAN mode).
- Pressing the «FAN SPEED» button on the remote control board, select the fan rotation speed: AUTO, LOW, MIDDLE, HIGH, and the conditioner will start working in accordance with the selected setting.
- To turn the conditioner off, press the «ON/OFF» button once again.

### In the «FAN» mode air temperature indoors is not set.

### «DRY»

Turn the conditioner on pressing the «ON/OFF» button. Pressing the «MODE» button, select the DRY mode. The conditioner will start working in the set mode. To turn the conditioner off, press the «ON/OFF» button once again.

**«MAXI» mode («TURBO»)**

When pressing the «MAXI» button on the remote control board, the conditioner will start working in turbo mode for maximum cooling (in cool mode) or for maximum heating (in heat mode).

**«TIMER» mode**

Using button «TIMER OFF» to initiate the off-delay timer.

Using button «TIMER ON» to initiate the on-delay timer.

Each pressing of the button increases the timer setting by 30 min. When the reading reaches 10 hours, each pressing will increase the timer setting by 60 min. To deactivate the automatic timer function, set the value at 0.0.

**«SLEEP» mode**

Using this button to activate the economy mode. Press it once again to deactivate the mode. This function can be activated in the Cooling, Heating, and Auto modes.

When the ON/OFF, FAN SPEED, SLEEP, or MODE button is pressed, this mode is automatically deactivated.

**8. MAINTENANCE**

- Before cleaning switch the conditioner off.
- Cleaning of the indoor unit and remote control board:
- Indoor unit and remote control board should be cleaned with a dry soft cloth.
- If the indoor unit is too unclean, moisten the cloth with cold water.
- It is prohibited to clean the remote control board with moist cloth.
- In order to avoid the damage of paint or details of the conditioner, do not clean it with brushes and do not leave them on the surface of indoor unit.
- In order to avoid the damage of surface or deformation of the conditioner details, do not clean it with petrol, solvents, cleaning powders or other chemically active substances.
- Before a sustained interruption in the conditioner work:
- Turn the conditioner on for several hours in the FAN mode. It will allow you to dry its inner cavities
- Switch the conditioner off.
- Remove the batteries from the remote control board.
- Checks before starting:
- Make sure that an air filter is installed.
- Make sure that air inlet and return air grillages of the outdoor unit are not blocked by foreign objects.
- Cleaning of air filter
- Air filter cleans the air entering the conditioner from dust and foreign particles. If the filter is contaminated, the conditioner capacity decreases sharply. If the conditioner is operated permanently, the filter should be cleaned once per two weeks.
- If the conditioner is installed in a room with dusty atmosphere, then the air filter should be cleaned more often.
- To remove the filter, open the air inlet of the indoor unit panel. Press the locks to the center and pull the grillages down. Remove the air inlet. Remove the air filter. Clean the filter with a vacuum cleaner or rinse it in clean water. If the filter is contaminated heavily, clean it with a soft brush and wash in diluted washing solution, then dry it in a cool place.
- While cleaning the filter with the vacuum cleaner, hold it with contaminated surface up. While washing the filter in water, hold it with contaminated surface down.
- Do not dry the filter in the sun or near a fire.
- Set the air filter to initial position and close an air inlet cover.

**9. TROUBLESHOOTING**

Failures and their possible reasons:

Failure	Possible reason	Actions
The conditioner does not work	Interruptions in power supply	Wait for restoration of power supply
	Batteries in the remote control board are low	Replace the batteries
	Time of turning on is set by the timer	Wait till the conditioner turns on by the timer or cancel the timer setting
Insufficient cooling or heating capacity	The set air temperature is too high or too low	Set the air temperature correctly
	The air filter is clogged with dust	Clean the air filter
	Foreign objects block the air inlet and return air grillages of the outdoor unit or indoor unit	Remove foreign objects
The conditioner works, but does not cool or heat the room	A three-minute delay of compressor turning on	Wait a little
	The air temperature is set incorrectly	Set the temperature correctly

**10. SERVICE LIFE**

Service life of the appliance is 10 years provided that the respective installation and operation rules are observed.

Date of the conditioner manufacture is shown in a serial number of the device. For more details, please, ask a shop assistant.

**11. UTILIZATION RULES**

Upon expiration of the service life, the appliance should be utilized in accordance with norms, regulations and procedures effective in the place of utilization.

## Содержание

1. Важная информация	13
2. Меры предосторожности	13
3. Технические характеристики	14
4. Описание прибора	16
5. Комплект поставки	16
6. Управление прибором	17
Панель управления внутреннего блока	17
Пульт дистанционного управления (ПДУ)	18
7. Режимы работы	19
8. Уход и обслуживание	20
9. Устранение неисправностей	21
10. Срок эксплуатации	21
11. Правила утилизации	21
12. Сертификация продукции	21

## Уважаемый покупатель!

Благодарим Вас за удачный выбор и приобретение электрического кондиционера воздуха Hyundai. Он прослужит Вам долго.

## 1. ВАЖНАЯ ИНФОРМАЦИЯ

Прибор предназначен для охлаждения воздуха в бытовых помещениях. Производитель оставляет за собой право без предварительного уведомления покупателя вносить изменения в конструкцию, комплектацию или технологию изготовления изделия с целью улучшения его свойств. В тексте и цифровых обозначениях данного руководства могут быть допущены опечатки.

Если после прочтения руководства у Вас останутся вопросы по работе и эксплуатации прибора, обратитесь к продавцу или в специализированный сервисный центр для получения разъяснений.

На изделии присутствует этикетка, на которой указаны все необходимые технические данные и другая полезная информация о приборе. Используйте прибор только по назначению, указанному в данном руководстве.

## 2. МЕРЫ ПРЕДОСТОРОЖНОСТИ

1. Не пытайтесь самостоятельно устанавливать кондиционер. Обратитесь к квалифицированному специалисту по установке.
2. При использовании кондиционера, необходимо соблюдать ряд мер предосторожности. Неправильная эксплуатация в силу игнорирования мер предосторожности может привести к причинению вреда здоровью пользователя и других людей, а также нанесению ущерба их имуществу.
3. Электроприбор должен находиться под наблюдением во время его эксплуатации, особенно, если неподалёку от него находятся дети.
4. Не просовывайте пальцы или посторонние предметы через воздуховыпускную решетку внутреннего и наружного блоков, так как это может привести к травме от вращающегося вентилятора.
5. Не разрешайте детям самостоятельно включать кондиционер. Дети могут включать кондиционер только под присмотром взрослых.
6. Не пытайтесь самостоятельно ремонтировать кондиционер. Внутренние агрегаты кондиционера находятся под напряжением, это опасно для жизни! Для ремонта изделия обращайтесь в авторизованный сервисный центр.
7. Не используйте устройство, если оно неисправно, или если его уронили или повредили.
8. Не открывайте лицевую панель устройства во время его работы.
9. Не разбирайте и не модифицируйте устройство.
10. Незамедлительно отключите кондиционер от электрической сети, если от него идут странные запахи или дым.
11. Не брызгайте и не лейте воду и другие жидкости на кондиционер.
12. Всегда отключайте кондиционер от электрической сети во время грозы.
13. Всегда отключайте кондиционер от электрической сети, когда он не используется.
14. Перед началом чистки и технического обслуживания кондиционера отключите его от электрической сети. Чистку и техническое обслуживание производите в соответствии с указаниями данного руководства по эксплуатации.
15. Для обеспечения эффективной работы кондиционера эксплуатируйте его в температурно-влажностных условиях, указанных в данном руководстве по эксплуатации.
16. Не используйте опасные химические вещества для чистки устройства и не допускайте их попадания на прибор.
17. При снятии воздушного фильтра не касайтесь металлических частей устройства.
18. Во избежание перегрева и риска возникновения пожара, а также повреждения внутренней электрической сети, не изменяйте длину сетевого шнура и не подключайте устройство через электрические удлинители.
19. Во избежание опасности поражения электрическим током, поврежденный сетевой шнур должен меняться только в авторизованных сервисных центрах квалифицированными специалистами.
20. Во избежание опасности поражения электрическим током не размещайте шнур питания рядом с нагревательными приборами и легковоспламеняющимися или горючими веществами.
21. Не запускайте и не останавливайте устройство посредством подключения или отключения электрического питания.

## 3. ТЕХНИЧЕСКИЕ ХАРАКТЕРИСТИКИ

Таблица 1

Внутренний блок Наружный блок Панель внутреннего блока	H-ALT1-12H-UI029/I H-ALT1-12H-UI029/O H-SQ1-CM-UI048	H-ALT1-18H-UI030/I H-ALT1-18H-UI030/O H-SQ1-CM-UI048
Мощность (охлаждение) кВт	3,52	5,28
Мощность (обогрев) кВт	3,81	5,86
Потребляемая мощность (охлаждение) Вт	1085	1834
Потребляемая мощность (обогрев) Вт	1235	1880
Напряжение питания В/Гц	220~240/50	220~240/50
Сила тока (охлаждение/обогрев) А	5.2/5.3	8.4/8.6
Расход воздуха (внутренний блок) м3/ч	680/600/400	860/760/500
Расход воздуха (наружный блок) м3/ч	2100	2439
Уровень шума (внутренний блок) Дб(А)	41/38/35	44/41/38
Уровень шума (наружный блок) Дб(А)	43	54
Тип фреона	R410A	R410A
Класс энергоэффективности (охлаждение/обогрев)	C/C	C/D
Класс электробезопасности	I class	I class
Степень защиты от влаги (внутренний блок)	IPX0	IPX0
Степень защиты от влаги (наружный блок)	IP24	IP24
Диаметр труб, жидкость/газ, мм	1/4 /1/2	1/4 /1/2
Максимальная длина трассы, м	15	25
Максимальный перепад высот между блоками, м	8	15
Вес нетто, внутренний блок (кг)	16	19
Вес нетто, панель (кг)	2.5	2.5
Вес нетто, наружный блок (кг)	28	37
Вес брутто, внутренний блок (кг)	20	21
Вес брутто, панель (кг)	4.5	4.5
Вес брутто, наружный блок (кг)	30	39
Размеры прибора, внутренний блок (мм)	570x570x260	570x570x260
Размеры панели внутреннего блока (мм)	647x647x50	647x647x50
Размеры прибора, наружный блок (мм)	780x250x547	760x285x590
Размеры в упаковке, внутренний блок (мм)	655x655x290	655x655x290
Размеры в упаковке (мм)	715x715x123	715x715x123
Размеры в упаковке, наружный блок (мм)	910x335x575	887x355x645

RU

H-ALT1-24H-UI031/I H-ALT1-24H-UI031/O H-SQ1-ST-UI049	H-ALT1-36H-UI032/I H-ALT1-36H-UI032/O H-SQ1-ST-UI049	H-ALT1-48H-UI033/I H-ALT1-48H-UI033/O H-SQ1-ST-UI049	H-ALT1-60H-UI034/I H-ALT1-60H-UI034/O H-SQ1-ST-UI049
7,03	10,55	14,07	17,58
7,62	11,72	15,24	19,05
2450	3850	4885	6258
2500	3650	4948	6500
220~240/50	380~420/50	380~420/50	380~420/50
11.2/11.4	6.8/6.5	8.4/8.5	10.8/11.2
1327/1114/871	1545/1354/1187	1545/1354/1187	1800/1480/1280
3200	5000	6800	6800
49/46/40	51/47/42	52/48/43	52/48/43
59	63	63	63
R410A	R410A	R410A	R410A
C/D	D/C	C/D	C/D
I class	I class	I class	I class
IPX0	IPX0	IPX0	IPX0
IP24	IP24	IP24	IP24
3/8 /5/8	1/2 /3/4	1/2 /3/4	1/2 /3/4
25	30	50	50
15	20	25	25
24	28,7	28,7	32
5	5	5	5
48	85	97	99
30	32	32,6	36
8	8	8	8
54,5	93	107	109
840x840x230	840x840x300	840x840x300	840x840x300
950x950x55	950x950x55	950x950x55	950x950x55
842x324x695	990x354x966	900x340x1167	900x340x1167
900x900x250	900x900x320	900x900x320	900x900x320
1035x1035x90	1035x1035x90	1035x1035x90	1035x1035x90
965x395x755	1120x435x1100	1032x443x1307	1032x443x1307

RU



## 4. ОПИСАНИЕ ПРИБОРА

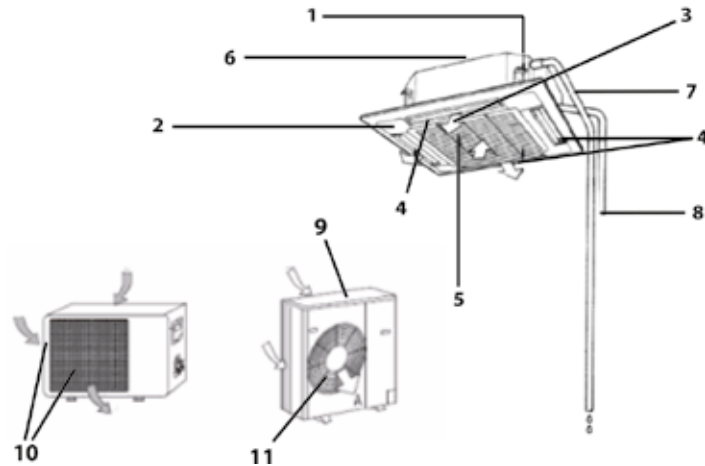


Рис. 1

Кондиционер состоит из внутреннего и наружного блоков, соединенных трубопроводами. Управление кондиционером осуществляется с пульта дистанционного управления или с панели управления внутреннего блока.

1. Блок кондиционера для внутренней установки в помещении.
2. Декоративная панель блока внутренней установки.
3. Панель управления и индикации.
4. Жалюзи (направляющие заслонки) для раздачи обработанного воздуха.
5. Воздухозаборная решетка внутреннего блока.
6. Трубка для отвода конденсата.
7. Медная трубка газа (фреона).
8. Блок кондиционера для наружной установки вне помещения.
9. Воздухозаборные решетки наружного блока.
10. Воздуховыпускная решетка наружного блока.

## 5. КОМПЛЕКТ ПОСТАВКИ

В комплектацию кондиционера воздуха (сплит-системы) входит:  
 Блок кондиционера для внутренней установки - 1 шт.  
 Панель для внутреннего блока (комплектующие) - 1 шт.  
 Блок кондиционера для наружной установки - 1 шт.  
 Пульт дистанционного управления - 1 шт.  
 Элементы питания для пульта ДУ - 2 шт.  
 Руководство по эксплуатации с гарантийным талоном - 1 шт.  
 Упаковка блока внутренней установки - 1 шт.  
 Упаковка панели внутреннего блока - 1 шт.  
 Упаковка блока наружной установки - 1 шт.

## 6. УПРАВЛЕНИЕ ПРИБОРОМ

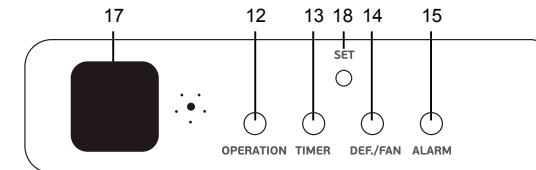


Рис. 2. Описание панели управления внутреннего блока (модели H-ALT1-12H-UI029, H-ALT1-18H-UI030)

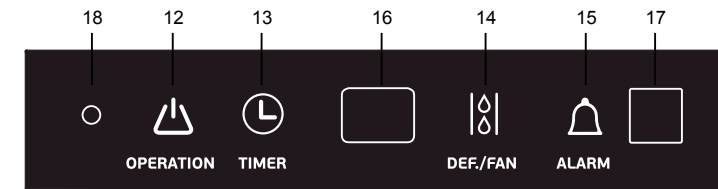


Рис. 3. Описание панели управления внутреннего блока (модели H-ALT1-24H-UI031, H-ALT1-36H-UI032, H-ALT1-48H-UI033, H-ALT1-60H-UI034)

Управление кондиционером осуществляется с пульта дистанционного управления или с панели управления внутреннего блока.

Если пульт дистанционного управления утерян или его нельзя использовать в данный момент, вы можете использовать кнопку управления кондиционером «on/off», которая находится за передней открывающейся панелью. Для этого, осторожно откройте переднюю панель, аккуратно потянув её на себя слева и справа.

12. Индикатор работы
13. Индикатор работы таймера
14. Индикатор оттаивания и предварительного нагрева
15. Индикатор аварийного состояния
16. LED дисплей
17. ИК приемник сигналов пульта ДУ
18. Кнопка ручного управления

Панель управления и индикации Вашего кондиционера может визуально отличаться от приведенного схематичного изображения. Функции при этом останутся прежними.

Ручное управление применяется, если пульт ДУ утерян или вышел из строя, или разрядились элементы питания. С помощью кнопки ручного управления, расположенной на панели управления внутреннего блока, можно выбрать режим ПРИНУДИТЕЛЬНОГО ОХЛАЖДЕНИЯ (FORCED COOL) или АВТОМАТИЧЕСКИЙ режим работы кондиционера (AUTO). Нажимая эту кнопку, выберите режим работы кондиционера: АВТОМАТИЧЕСКИЙ, ПРИНУДИТЕЛЬНОЕ ОХЛАЖДЕНИЕ, кондиционер ОТКЛЮЧЕН, снова АВТОМАТИЧЕСКИЙ и т.д.

1. Режим авто. Индикатор работы светится, кондиционер работает в принудительном автоматическом режиме. Использование ПДУ для выбора функций в данном режиме возможно.
2. Принудительное охлаждение. Индикатор работы мигает, кондиционер работает в режиме принудительного охлаждения, скорость вентилятора высокая на протяжении 30 минут, использование ПДУ для управления другими функциями невозможно.
3. Отключен. Индикатор выключен, кондиционер не работает, использование ПДУ возможно.

### Пульт дистанционного управления

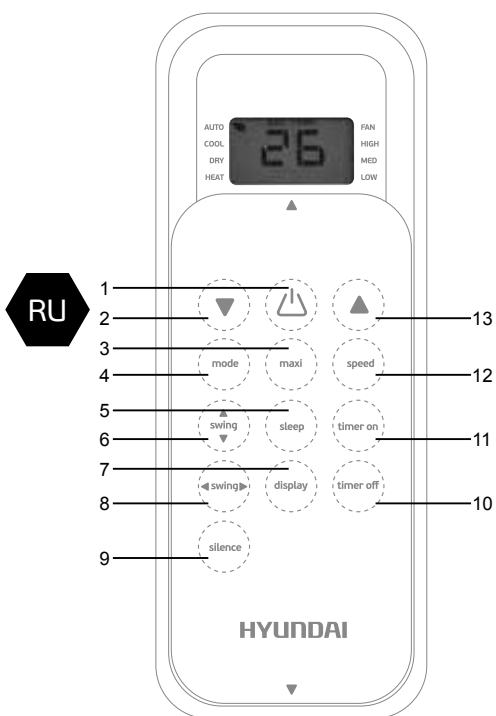


Рис. 4

Индикация на дисплее пульта управления соответствует выбранным режимам.

1. Кнопка «ON/OFF». С помощью данной кнопки можно включить или выключить кондиционер.
2. Кнопки «TEMP» (уменьшение) для установки необходимой температуры воздуха от 17 до 30°C. С помощью данной кнопки задается необходимая пользователю температура воздуха в помещении.
3. Кнопка «MAXI». С помощью данной кнопки можно включить или выключать режим работы MAXI.
4. Кнопка выбора режимов работы «MODE». С помощью данной кнопки можно выбрать необходимый режим работы: Автоматический, Охлаждение, Осушение, Вентиляция.
5. Кнопка «SLEEP». Нажмите для активации экономичного режима. Нажмите еще раз для отключения режима. Эту функцию можно включить в режимах Охлаждения, Обогрева и Авто. При нажатии клавиш ON/OFF, FAN SPEED, SLEEP или MODE режим автоматически отключится.
6. Кнопка «SWING ВВЕРХ-ВНИЗ». С помощью данной кнопки можно регулировать положение воздуховыпускных заслонок и направлять обработанный воздух вверх и вниз.
7. Кнопка «DISPLAY». С помощью данной кнопки можно отключить подсветку дисплея внутреннего блока. С помощью повторного нажатия кнопки можно включить подсветку дисплея.
8. Кнопка «SWING ВЛЕВО-ВПРАВО». С помощью данной кнопки можно регулировать положение воздуховыпускных заслонок и направлять обработанный воздух влево и вправо.\*
9. Кнопка «SILENCE».\*\*
10. Кнопка «TIMER OFF». Нажмите эту кнопку для инициации таймера выключения. Каждое нажатие кнопки увеличивает время на 30 минут. При достижении показания 10 часов каждое нажатие будет увеличивать время на 60 минут. Для отключения функции автоматического таймера установите значение 0.0.
11. Кнопка «TIMER ON». Нажмите эту кнопку для инициации таймера включения. Каждое нажатие кнопки увеличивает время на 30 минут. При достижении показания 10 часов каждое нажатие будет увеличивать время на 60 минут. Для отключения функции автоматического таймера установите значение 0.0.
12. Кнопка «SPEED». С помощью данной кнопки можно выбрать скорость вращения вентилятора внутреннего блока: Автоматическая «Auto», Высокая «High», Средняя «Middle», Низкая «Low».
13. Кнопки «TEMP» (увеличение) для установки необходимой температуры воздуха от 17 до 30°C. С помощью данной кнопки задается необходимая пользователю температура воздуха в помещении.

\* используется только для моделей напольно-потолочного типа

\*\* не используется для данной серии

### Работа с пультом ДУ

Установка и замена элементов питания: установить два щелочных элемента питания типа LR03, согласно указанной полярности на пульте ДУ.

Во избежание нарушений работы пульта ДУ не вставляйте в него использованные элементы питания или элементы питания разных типов.

Если кондиционер не эксплуатируется в течение длительного времени, извлеките батарейки из пульта ДУ. Иначе электролит может потечь и повредить пульт.

При нормальной эксплуатации кондиционера средний срок службы элементов питания составляет полгода.

Заменяйте элементы питания, если прием команды не подтверждается звуковым сигналом, или на дисплее исчез значок передачи команд.

Поддавая команды с пульта дистанционного управления, направляйте ИК-излучатель на приемник сигналов ДУ, расположенный на внутреннем блоке. Держите пульт ДУ на расстоянии не более 8 м от внутреннего блока.

Пульт ДУ не будет работать, если между ним и внутренним блоком расположены шторы, двери или другие предметы. Не допускайте попадания на пульт воды и не подвергайте его воздействию прямых солнечных лучей и источников тепла.

## 7. РЕЖИМЫ РАБОТЫ

### АВТОМАТИЧЕСКИЙ режим работы («АУТО»)

Включение и выключение автоматического режима работы происходит с помощью кнопки «MODE» на пульте ДУ.

1. При работе в АВТОМАТИЧЕСКОМ режиме поддерживается установленная температура. В этом режиме кондиционер автоматически выбирает режимы ОХЛАЖДЕНИЯ, ВЕНТИЛЯЦИИ или ОБОГРЕВА, основываясь на установленной и текущей температурах.
2. В автоматическом режиме скорость вращения вентилятора выбирается автоматически и не может быть выбрана вручную.
3. Если АВТОМАТИЧЕСКИЙ режим работы не обеспечивает комфортные условия, выберите режим работы кондиционера вручную. В автоматическом режиме, в зависимости от температуры воздуха в помещении, кондиционер самостоятельно выбирает необходимые температурные параметры своей работы в следующем порядке:

### ОХЛАЖДЕНИЕ, ОБОГРЕВ и ВЕНТИЛЯЦИЯ («COOL», «HEAT», «FAN»)

1. Включите кондиционер, нажав кнопку «ON/OFF».
2. Нажимая кнопку «MODE», выберите режим ОХЛАЖДЕНИЯ (COOL), ОБОГРЕВА (HEAT) или ВЕНТИЛЯЦИИ (FAN) вручную.
3. Нажимая кнопки «TEMP» (вверх-вниз), задайте желаемую температуру воздуха в помещении (кроме режима ВЕНТИЛЯЦИИ).
4. Нажимая кнопку «SPEED» на пульте ДУ, выберите скорость вращения вентилятора: АВТОМАТИЧЕСКАЯ, НИЗКАЯ, СРЕДНЯЯ, ВЫСОКАЯ, кондиционер начнет работать в соответствии с выбранной настройкой.
5. Для отключения кондиционера снова нажмите кнопку «ON/OFF».

### В режиме ВЕНТИЛЯЦИЯ температура воздуха в помещении не задается.

### ОСУШЕНИЕ («DRY»)

Включите кондиционер, нажав кнопку «ON/OFF». Нажимая кнопку «MODE», выберите режим ОСУШЕНИЕ (DRY). Кондиционер начинает работу в данном режиме. Для отключения кондиционера снова нажмите кнопку «ON/OFF».

### Режим работы «MAXI» («TURBO»)

При нажатии кнопки «MAXI» на пульте ДУ кондиционер начинает работу в интенсивном режиме на максимальное охлаждение (в режиме охлаждения) или на максимальный обогрев (в режиме обогрева).

### Режим работы по таймеру («TIMER»)

Нажмите на кнопку «TIMER ON» для инициации таймера включения или на кнопку «TIMER OFF» для инициации таймера выключения.

Каждое нажатие кнопки увеличивает время на 30 минут. При достижении показания 10 часов каждое нажатие будет увеличивать время на 60 минут. Для отключения функции автоматического таймера установите значение 0,0.

### Ночной режим работы «SLEEP»

Нажмите для активации экономичного режима. Нажмите еще раз для отключения режима. Эту функцию можно включить в режимах Охлаждения, Обогрева и Авто.

При нажатии клавиш ON/OFF, FAN SPEED, SLEEP или MODE режим автоматически отключится.

Регулирование направления потока обработанного воздуха.

Регулируя положение направляющих заслонок (жалюзи), задайте направление потока обработанного воздуха, обеспечивающее равномерное распределение температуры и наиболее комфортные условия в помещении. Для изменения положения направляющих заслонок используйте кнопку «SWING BBEFX-BHI3».

RU

## 8. УХОД И ОБСЛУЖИВАНИЕ

- Перед тем, как приступить к чистке, отключите кондиционер от электросети.
- Чистка внутреннего блока и пульта дистанционного управления:
- Чистку внутреннего блока и пульта ДУ выполняйте сухой мягкой тканью.
- Если внутренний блок слишком загрязнен, смочите ткань холодной водой.
- Запрещается чистить влажной тканью пульт ДУ.
- Во избежание повреждения краски или деталей кондиционера не пользуйтесь для чистки щетками и не оставляйте их на поверхности внутреннего блока.
- Во избежание повреждения поверхности или деформации деталей кондиционера не пользуйтесь для чистки бензином, растворителями, чистящими порошками или другими химически активными веществами.
- Перед длительным перерывом в работе кондиционера:
- Включите кондиционер на несколько часов в режиме вентиляции. Это позволит полностью просушить его внутренние полости
- Отключите кондиционер от электросети.
- Извлеките из пульта ДУ элементы питания.

Предпусковые проверки:

- Убедитесь, что воздушный фильтр установлен.
- Убедитесь, что воздухозаборная и воздуховыпускная решетки наружного блока не загорожены посторонними предметами.

Чистка воздушного фильтра:

- Воздушный фильтр очищает воздух, поступающий в кондиционер, от пыли и посторонних частиц.
- При загрязнении фильтра производительность кондиционера резко снижается.
- При постоянной эксплуатации кондиционера фильтр следует чистить каждые две недели.
- Если кондиционер установлен в помещении с запыленной атмосферой, то воздушный фильтр следует чистить чаще.
- Для извлечения фильтра откройте воздухозаборную решетку панели внутреннего

блока. Нажмите на фиксаторы решетки к середине и потяните решетку вниз. Снимите воздухозаборную решетку.

- Извлеките воздушный фильтр. Очистите фильтр пылесосом или сполосните его в чистой воде. Если фильтр сильно загрязнен, почистите его мягкой щеткой и промойте в слабом моющем растворе, затем просушите в прохладном месте.
- При чистке фильтра пылесосом держите его загрязненной поверхностью вверх. При промывании фильтра в воде держите его загрязненной поверхностью вниз.
- Не сушите фильтр на солнце или вблизи огня.
- Установите воздушный фильтр в исходное положение и закройте воздухозаборную решетку.

## 9. УСТРАНЕНИЕ НЕИСПРАВНОСТЕЙ

Неисправности и их возможные причины:

Неисправность	Возможная причина	Действия
Кондиционер не работает	Перебои в электропитании	Подождите, пока восстановится электропитание
	Разрядились элементы питания пульта дистанционного управления	Замените элементы питания
	Задано время включения кондиционера по таймеру	Подождите, пока кондиционер включится по таймеру, или отмените настройку таймера
Недостаточная холодо- или теплопроизводительность	Задана слишком высокая или слишком низкая температура воздуха в помещении	Правильно задайте температуру воздуха
	Воздушный фильтр забит пылью	Очистите воздушный фильтр
	Посторонние предметы загораживают воздухозаборную или воздуховыпускную решетку наружного блока или внутреннего блока	Удалите посторонние предметы
Кондиционер работает, но не охлаждает и не обогревает помещение	Действует трехминутная задержка включения компрессора	Немного подождите
	Неправильно задана температура воздуха	Правильно задайте температуру

RU

## 10. СРОК ЭКСПЛУАТАЦИИ

Срок эксплуатации прибора составляет 10 лет при условии соблюдения соответствующих правил по установке и эксплуатации.

Дата изготовления кондиционера указана на приборе в серийном номере. За дополнительной информацией обращайтесь к продавцу.

## 11. ПРАВИЛА УТИЛИЗАЦИИ

По истечении срока службы прибор должен подвергаться утилизации в соответствии с нормами, правилами и способами, действующими в месте утилизации.

## 12. СЕРТИФИКАЦИЯ

При отсутствии копии нового сертификата в коробке, спрашивайте копию у продавца.

## УВАЖАЕМЫЙ ПОКУПАТЕЛЬ!

Мы всегда рады предложить Вашему вниманию удобные пользовательские сервисы и продукты, нацеленные на то, чтобы сделать использование и обслуживание техники Hyundai еще более комфортным и удобным.

Именно поэтому мы рекомендуем Вам воспользоваться услугами специализированного портала [www.btragt.ru](http://www.btragt.ru), с помощью которого Вы можете заказать и оформить доставку всех необходимых расходных материалов и запчастей в течение гарантированного срока.

Всю дополнительную информацию о работе портала Вы можете найти на сайте [www.hc-hvac.ru](http://www.hc-hvac.ru)





## Гарантийный талон

Территория действия:  
Российская Федерация

Уважаемый покупатель! Обратите особое внимание на стр. 36

Действителен с Января 2014 года

Electric air conditioner. Split system



### Гарантийные обязательства Бытовое изделие Hyundai

Гарантийное обслуживание и ремонт бытовой техники Hyundai с соблюдением требований и норм Изготовителя (Hyundai) производятся на территории РФ только в фирменных сервисных центрах Изготовителя или мастерских, уполномоченных производителем и работающих с ним на основании договора. Срок проведения экспертизы и гарантийного ремонта - не более 45 дней с момента приемки дефектного изделия авторизованным сервисным центром Hyundai.

Если при эксплуатации изделия Вы столкнулись с неполадками в его работе, которые Вы не можете устранить самостоятельно в строгом соответствии с Руководством по эксплуатации изделия, обратитесь к региональному представителю Изготовителя в России или в региональный авторизованный сервисный центр Hyundai, уточнив адрес у продавца. Полный перечень сервисных центров указан на сайте [www.hc-hvac.ru](http://www.hc-hvac.ru) или приложен отдельным списком в комплекте с изделием.

Вы можете обратиться в уполномоченную сервисную службу Изготовителя по телефону **+7 (495) 627-5285**, либо по телефонам, указанным на сайте [www.hc-hvac.ru](http://www.hc-hvac.ru), или отправить сообщение по электронному адресу [service@hc-hvac.ru](mailto:service@hc-hvac.ru)

Гарантируется безотказная работа изделия в соответствии со сроками, указанными в гарантийном талоне. Обязательно ознакомьтесь с условиями гарантийных обязательств и требуйте от продавца правильного и четкого заполнения гарантийного талона.



### ВНИМАНИЕ!

Сервисная сеть Hyundai рассматривает гарантийные требования при наличии правильно заполненного оригинального гарантийного талона установленного Изготовителем образца, товарного (кассового) чека или другого документа, подтверждающего дату и факт продажи на территории РФ.

Если отсутствие надлежащим образом заполненного гарантийного талона на изделие или отсутствие чека с указанием изделия не позволяет идентифицировать изделие и факт его продажи на территории РФ, то Изготовитель вправе отказать в гарантийном обслуживании изделия.

При невозможности определить дату продажи изделия, гарантийный срок исчисляется с даты его производства.

Дата производства изделия определяется по реестру Изготовителя в соответствии с серийным номером изделия.

**На каждое изделие выписывается отдельный гарантийный талон.**

#### Дорогой покупатель техники Hyundai,

мы выражаем Вам огромную признательность за Ваш выбор. Hyundai сделал все возможное, чтобы данное изделие удовлетворяло Вашим запросам, приносило радость и уют в Ваш дом, а качество соответствовало лучшим мировым образцам для данного класса изделия. Официальные сроки службы на изделия Hyundai разных видов, предназначенных для использования в быту, установлены изготовителем:

- для электрических конвекторов - до 20 лет;
- для кондиционеров воздуха, осушителей - 10 лет;
- электрических тепловых пушек и завес - 7 лет;
- инфракрасных обогревателей - 8 лет;

- электрических водонагревателей проточного типа - 3 года;
- электрических водонагревателей накопительного типа - 10 лет;
- остальных изделий - от 3 до 5 лет.

Указанные сроки службы действительны только при условии соблюдения правил эксплуатации и правильного ухода за изделиями.

Полную информацию об официальных сроках службы для выбранной Вами модели Вы сможете найти на сайте [www.hc-hvac.ru](http://www.hc-hvac.ru). Учитывая высокое качество, надежность и степень безопасности продукции Hyundai, фактический срок эксплуатации может значительно превышать официальный.

## Заполнение гарантийного талона

Во избежание недоразумений убедительно просим Вас внимательно изучить Руководство по эксплуатации изделия и условия гарантийных обязательств, проверить правильность заполнения гарантийного талона. Согласно требованиям Изготовителя, гарантийный талон действителен только при наличии четко и правильно указанных данных: модели, серийного номера изделия, даты покупки, данных фирмы-продавца, подписи покупателя. Соответствующие данные также должны быть указаны продавцом на отрывных талонах. В отдельных случаях в гарантийном талоне обязательным является указание даты запуска изделия в эксплуатацию и штамп уполномоченной организации, производшей запуск в эксплуатацию (для изделий, требующих монтажа или предпусковой подготовки сертифицированным специалистом в соответствии с Руководством по эксплуатации). При проведении планового профилактического обслуживания изделия (там где это необходимо согласно руководству по эксплуатации) специалист сервисного центра обязан заполнить соответствующую часть гарантийного талона, поставить подпись и печать сервисного центра.

Модель и серийный номер изделия (на маркировочной (идентификационной) наклейке Изготовителя на изделии (ID) должны соответствовать указанным в гарантийном талоне продавцом. При нарушении этих условий, а также в случае, когда данные, указанные в гарантийном талоне, изменены или стерты, талон может быть признан недействительным.

## ВНИМАНИЕ!

Производитель рекомендует приобретать приборы Hyundai только у авторизованных продавцов (см. условия на стр. 34-36).

## Общие гарантийные условия

Данным гарантийным талоном Изготовитель подтверждает принятие на себя обязательств по удовлетворению законных требований потребителей в случае обнаружения недостатков изделия, возникших по вине Изготовителя в течение установленного гарантийного срока. Сроки действия гарантии на отдельные типы изделий указаны на стр. 34. Гарантийные обязательства дополняют и уточняют оговоренные законом обязательства, предполагающие соглашение сторон либо договор; выдаются Изготовителем в дополнение к законным правам потребителей и ни в коей мере их не ограничивают. Гарантия Изготовителя действительна только на территории РФ на изделия, купленные на территории РФ и изготовленные для РФ. Наличие надлежащим образом заполненного гарантийного талона и чека необходимо в целях возможности идентификации таковых изделий и факта их законной продажи на территории РФ.

## Изготовитель оставляет за собой право:

- отказать в гарантийном сервисном обслуживании изделия в случае несоблюдения изложенных ниже условий (см. «Досрочное прекращение гарантийного обслуживания»);
- самостоятельно инициировать независимую экспертизу для выяснения обстоятельств, приведших к выходу прибора из строя;
- сравнивать предоставленную маркировочную (идентификационную) наклейку изделия (ID) с данными реестров производства для проверки соответствия серийного номера изделия уникальным производственным номерам реестров.
- предоставлять дополнительную гарантию; информация об условиях дополнительной гарантии содержится на сайте [www.hc-hvac.ru](http://www.hc-hvac.ru).



Просим Вас хранить Гарантийный талон в течение всего гарантийного срока, установленного Изготовителем на приобретенное Вами изделие.

При покупке изделия требуйте от продавца проверку его комплектности и отсутствия механических повреждений в Вашем присутствии, а также правильного и четкого заполнения данного гарантийного талона. Претензии по некомплектности и выявленным механическим повреждениям после продажи не принимаются. Для гарантийного ремонта предъявляйте Гарантийный талон вместе с чеком покупки с указанной датой покупки.

## Общие правила установки, подключения и запуска в эксплуатацию изделий, для которых требуется выполнение этих работ специализированными организациями.

Установка, подключение и запуск в эксплуатацию изделий торговой марки Hyundai допускается исключительно специалистами и организациями, имеющими лицензии или соответствующие разрешения (допуски) на данный вид деятельности, либо специалистами и организациями, авторизованными для монтажа и/или обслуживания данного вида техники. О необходимости проведения тех или иных монтажных и/или сервисных работ специализированными организациями Вы можете узнать, внимательно ознакомившись с Руководством по эксплуатации на приобретенное Вами изделие.

Для монтажа приобретенного оборудования Вы можете воспользоваться платной услугой специалистов авторизованных сервисных центров Hyundai, которые проведут все необходимые работы для длительного и безопасного использования приобретенного Вами изделия. Вы можете также воспользоваться услугами любых других квалифицированных специалистов, однако, в этом случае, если изделие вышло из строя вследствие неправильной установки и подключения, Вы теряете право на бесплатное гарантийное обслуживание.

## Досрочное прекращение гарантийного обслуживания.

Все условия гарантийного обслуживания регулируются Законодательством РФ и Законом РФ «О защите прав потребителей». В частности, отказ в бесплатном гарантийном обслуживании изделия может быть вызван:

- нарушением при оформлении гарантийного талона при продаже изделия;

- отсутствием товарного или кассового чека о продаже изделия или невозможностью определить продавца изделия;
- наличием следов механических повреждений, возникших после передачи изделия потребителю и явившихся возможной причиной возникновения дефекта;
- наличием повреждений, вызванных несоответствием стандартам параметров питающих сетей и других подобных внешних факторов, а также вызванных использованием нестандартных, неоригинальных (или некачественных) аксессуаров, принадлежностей, запасных частей, элементов и т.д.;
- нарушением правил Руководства по эксплуатации данного изделия;
- наличием следов несанкционированного вскрытия и/или ремонта изделия (за исключением случаев, предусмотренных Руководством по эксплуатации), повлекших за собой отказ в работе изделия;
- дефектом или отказом системы или ее части, где изделие использовалось как часть системы и это могло привести к дефекту или отказу изделия.



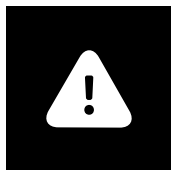
### ВНИМАНИЕ!

Если в результате экспертизы/диагностики изделия установлено, что его недостатки возникли вследствие обстоятельств, за которые не отвечает продавец (изготовитель), либо недостатки в товаре отсутствуют, Потребитель обязан возместить продавцу (изготовителю или уполномоченной изготовителем организации) расходы на проведение экспертизы (диагностики), а также связанные с ее проведением расходы на хранение и транспортировку товара) в соответствии с Законом РФ «О защите прав потребителей» № 171-ФЗ в ред. от 21.12.2004 ст. 18 п.5.



### Гарантийные обязательства не распространяются на перечисленные ниже части и принадлежности изделия, если их замена не связана с разборкой самого изделия или их замена требуется при профилактическом обслуживании:

- внешние блоки питания и зарядные устройства;
- соединительные герметизирующие прокладки, переходники и переключатели;
- монтажные приспособления, инструмент и документацию, прилагаемую к изделию.
- расходные части изделия, подразумевающие периодическую замену за счет потребителя (анодные стержни, герметизирующие прокладки, фильтрующие элементы и др.);
- части и узлы изделия, неисправность которых связана с естественным износом в процессе эксплуатации (фильтрующие элементы, приводные ремни, ролики, свечи зажигания, втулки, подшипники и т.д.);
- материалы, наклеенные на изделие, имеющие рекламное или информационное назначение, за исключением маркировочной (идентификационной) наклейки Изготовителя (ID).



### ВНИМАНИЕ!

Если маркировочная (идентификационная) наклейка на изделие Hyundai (ID) закреплена на изделии не плотно и существует риск ее утери, то вклейте ее в гарантийный талон на последней странице.

### Изготовитель не несет гарантийных обязательств за изделие в следующих случаях:

- если изделие использовалось в иных целях, не соответствующих его прямому назначению в соответствии с Руководством по эксплуатации;
- если на изделии отсутствует маркировочная (идентификационная) табличка Изготовителя (ID);
- если изделие имеет следы несанкционированного вскрытия, не предусмотренного Руководством по эксплуатации, и попыток неквалифицированного ремонта;
- если дефект вызван изменением/нарушением конструкции или схемы изделия, не предусмотренным Изготовителем;
- если обнаружены повреждения, вызванные попаданием внутрь изделия посторонних предметов, веществ, жидкостей, насекомых, скоплением большого количества пыли;
- если обнаружены повреждения, связанные с замерзанием внутри прибора жидкостей, отложением накипи на нагревательных элементах и внутренних поверхностях прибора, вызванных большим содержанием в воде солей железа, натрия, кальция, марганца и др.;
- если обнаружены повреждения, вызванные подключением к сетям (электрической, водопроводной) с недопустимыми параметрами;
- если дефект вызван действием непреодолимых сил, несчастными случаями, умышленными или неосторожными действиями потребителя или третьих лиц;
- если нарушены требования Изготовителя по проведению обязательных для сохранения гарантии и продления срока службы профилактических работ, описанных в Руководстве по эксплуатации;
- неправильного хранения (консервации / разборки-сборки на период хранения) изделия;
- если монтаж и использование изделия производится без разрешительной документации исполнительных органов власти субъектов РФ там, где подобная документация требуется в соответствии с требованиями законодательства РФ (в т.ч. Жилищного Кодекса РФ);
- в случае эксплуатации изделия с неправильно отрегулированными газовыми клапанами, газовыми или гидравлическими редукторами, прочими блоками и устройствами, требующими предварительной и/или периодической настройки и регулировки (если данные виды работ производились неуполномоченными на то организациями или лицами, либо были нарушены сроки проведения плановых регламентных/профилактических работ согласно Руководству по эксплуатации).

Изготовитель снимает с себя любую ответственность за возможный вред, прямо и или косвенно нанесенный продукцией Hyundai людям, домашним животным, и имуществу, в случаях, если это произошло в результате несоблюдения правил и условий эксплуатации или вследствие неквалифицированной установки (профилактики, обслуживания, ремонта) изделия, умышленных или неосторожных действий потребителя или третьих лиц.

### Особые условия гарантийного обслуживания для отдельных типов техники.

#### Газовое оборудование

Гарантия Изготовителя имеет силу только в случае установки, подключения и пуска в эксплуатацию газового оборудования (газовые котлы, обогреватели и водонагреватели) авторизованной специализированной организацией с обязательным составлением Акта пуска в эксплуатацию и указанием в гарантийном талоне даты пуска и штампа организации, производившей первый пуск. Исключение составляют изделия, для которых Руководством по эксплуатации предусмотрены самостоятельные установка, подключение и



запуск в эксплуатацию самим потребителем.

Организация, производящая запуск в эксплуатацию и/или последующее сервисное обслуживание газового оборудования, должна иметь лицензии и/или разрешения на соответствующий вид деятельности (вид работ), а специалисты этой организации должны иметь соответствующие удостоверения (допуски) на проведение газовых работ.



### Помните!

Изготовитель/импортер/продавец не несет ответственности в случае возникновения недостатков изделия из-за неправильных/некачественных монтажных, пусконаладочных, сервисных, профилактических работ неавторизованными организациями и специалистами.

## Водонагревательное оборудование

Гарантийные обязательства Изготовителя не распространяются на случаи:

- если обнаружены повреждения, связанные с замерзанием внутри прибора жидкостей, отложением накипи на нагревательных элементах и внутренних поверхностях прибора, вызванных большим содержанием в воде солей железа, натрия, кальция, марганца и др.;
- если обнаружены повреждения, вызванные подключением к сетям (электрической, водопроводной) с недопустимыми параметрами, даже в случае кратковременного и однократного превышения параметров, указанных на маркировочной табличке Изготовителя на приборе и в Руководстве по эксплуатации на изделие;
- если водонагреватель эксплуатировался без защитных устройств или совместно с устройствами, имеющими не соответствующие водонагревателю технические характеристики и/или не рекомендованными Изготовителем (см. на сайте [www.hc-hvac.ru](http://www.hc-hvac.ru) или в Руководстве по эксплуатации);
- если обнаружены повреждения внутренних эмалированных емкостей из-за коррозии вследствие несвоевременной замены анодного стержня;
- если прибор вышел из строя в случае неиспользования потребителем умягчителя воды в районах, где вода по жесткости отличается от нормативов, принятых Изготовителем (см. на сайте [www.hc-hvac.ru](http://www.hc-hvac.ru) или в Руководстве по эксплуатации).

Таблица 1

Рекомендуемые профилактические работы для увеличения срока гарантии на внутреннюю ёмкость водонагревателя и нагревательный(-е) элемент (-ы), а также для выполнения условия долговременной работы водонагревателя в рамках заявленного срока службы и более.

Наименование рекомендуемых профилактических работ	Периодичность выполнения рекомендуемых профилактических работ для увеличения гарантии на нагревательный (-е) элемент (-ы)	Периодичность выполнения рекомендуемых профилактических работ для увеличения гарантии на внутреннюю ёмкость
Первоначальная проверка наличия и интенсивности образования накипи на нагревательном (-ых) элементе (-ах), определение сроков последующей проверки и удаления накипи, а также при необходимости удаление накипи с нагревательного (-ых) элемента (-ов).	Через первые 0,5 года после начала эксплуатации	-
Удаление накипи с нагревательного (-ых) элемента (-ов).	Не реже 1 раза в год или чаще в зависимости от определения интенсивности образования накипи на нагревательном (-ых) элементе (-ах), при первоначальной проверке.	-
Первоначальная проверка интенсивности образования накипи и осадка во внутренней ёмкости, определение сроков последующей проверки и очистки водонагревателя, а также при необходимости очистка водонагревателя.	-	Через первые 0,5 года после начала эксплуатации
Очистка внутренней емкости водонагревателя.	Не реже 1 раза в год или чаще в зависимости от определения интенсивности образования накипи и осадка во внутренней ёмкости, при первоначальной проверке.	Не реже 1 раза в год или чаще в зависимости от определения интенсивности образования накипи и осадка во внутренней ёмкости, при первоначальной проверке.



Первоначальная проверка состояния магниевого анода, интенсивности его разложения, определения сроков последующей проверки и замены магниевого анода, а также при необходимости его замены.	Через первые 0,5 года после начала эксплуатации	Через первые 0,5 года после начала эксплуатации
Замена магниевого анода.	Не реже 1 раза в год или чаще в зависимости от определения интенсивности разложения магниевого анода, при первоначальной проверке.	Не реже 1 раза в год или чаще в зависимости от определения интенсивности разложения магниевого анода, при первоначальной проверке.

**ПРИМЕЧАНИЕ:**

Периодичность профилактического обслуживания, а также сроки замены анодного стержня для водонагревателей устанавливаются мастером авторизованного сервисного центра при первом плановом обслуживании и определяется исходя из условий эксплуатации водонагревателя, жесткости и степени загрязненности воды. При проведении работ специалистом сервисного центра должна быть произведена соответствующая отметка в гарантийном талоне. При самостоятельном проведении замены анодного стержня владелец должен сохранять чеки на покупку анодного стержня.

**Кондиционеры, устройства с компрессором**

Гарантийные обязательства Изготовителя не распространяются на случаи:

- если покупатель самостоятельно без учета рекомендаций Изготовителя и продавца купил кондиционер надлежащего качества и установил в помещении, для которого изделие не подходит по своим техническим характеристикам;
- некачественного монтажа неавторизованной организацией/частными лицами, если не была правильно проведена вакуумизация трубопроводов, была проведена заправка недостаточного количества хладагента или допущены другие ошибки при монтаже (перегиб трубопроводов,
- негоризонтальное расположение блоков, нарушение допустимых перепадов высот установки между блоками и т.д.);
- эксплуатации изделия в недопустимых условиях и с нарушением режимов работы, прописанных в Руководстве по эксплуатации (например, использование режима обогрева сплит-системой при наружной температуре ниже -5°C без специального предохранительного от низкой температуры комплекта);
- если неисправность была вызвана нарушением сроков периодического обслуживания изделия;
- если неисправность была вызвана сильными загрязнениями фильтров и/или испарителя/конденсатора пылью, листвой, насекомыми и другими предметами.

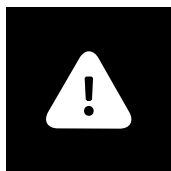
Таблица 1

Рекомендуемые профилактические работы для увеличения срока гарантии на компрессор кондиционера, а также для выполнения условия долговременной работы кондиционера, в рамках заявленного срока службы и более.

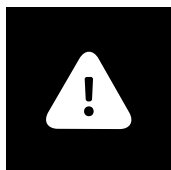
Наименование рекомендуемых профилактических работ	Для бытовых помещений		Для офисных помещений		Для торговых помещений	
	Рекомендуемый интервал	Рекомендуемые сроки	Рекомендуемый интервал	Рекомендуемые сроки	Рекомендуемый интервал	Рекомендуемые сроки
Чистка теплообменников внешнего и внутреннего блоков						
Мойка ванны для сбора конденсата		Июль		Май, август		Май, июль, сентябрь
Продувка трубопровода конденсата	Не реже 1-го раза в год		Не реже 2-х раз в год		Не реже 3-х раз в год	
Общая проверка системы						
Дозаправка (при необходимости)						

**Электрические обогреватели**

- Гарантийные обязательства Изготовителя не распространяются на случаи:
- если обогреватель эксплуатировался в положении, отличном от указанного в Руководстве по эксплуатации на данный прибор;
- если неисправность изделия возникла в результате попадания внутрь изделия посторонних предметов, веществ, жидкостей, насекомых, скоплением большого количества пыли;
- если в процессе эксплуатации был затруднен проход воздуха через вентиляционные отверстия и решетки (например, прибор накрывался какими-либо предметами, шторами, производилась сушка одежды без использования специальных, предусмотренных Изготовителем в Руководстве по эксплуатации устройств, большое скопление пыли снаружи и внутри прибора и т.д.)

**ВНИМАНИЕ!**

Если вы устанавливаете электрический конвектор без защиты от опрокидывания на ножки, то гарантия на прибор считается аннулированной, и потребитель осуществляет ремонт прибора полностью за свой счет. Электрические конвекторы с защитой от опрокидывания имеют специальную информацию на упаковочной коробке, также эта информация содержится в инструкции по эксплуатации прибора.

**ВНИМАНИЕ!**

Пожалуйста, потребуйте от продавца полностью, четко и правильно заполнить бланк Гарантийного талона.

### Стандартные гарантийные сроки для изделий, произведенных начиная с 01.01.2014 и имеющих ID установленной формы (см. рис. 1):

- электрические кондиционеры воздуха, осушители воздуха, электрические маслонаполненные радиаторы, тепловые пушки, завесы - 2 года;
- электрические конвекторы, конвекционные радиаторы, панели, прочие электрические и газовые приборы (в т.ч. водонагреватели) - 1 год.

В части гарантии действуют дополнительные нормы, увеличивающие срок гарантии для различных компонентов ряда изделий:

#### Накопительные водонагреватели:

- Гарантия на течь емкости баков объемом более 30 литров включительно - 2 года (5 лет\*);
- гарантия на течь емкости баков объемом менее 30 литров - 2 года (3 года\*);
- гарантия на нагревательные элементы - 3 года\*

#### Электрические конвекторы:

- нагревательный элемент серии - 3 года\*

#### Кондиционеры воздуха:

- компрессор сплит-систем - 3 года\*

\* - **увеличенная гарантия** на отдельные компоненты и узлы изделий действует только при условии регулярного проведения периодического обслуживания изделия специалистами авторизованного сервисного центра. После каждого обслуживания в гарантийном талоне должны проставляться печати сервисного центра, подтверждающие факт прохождения

обслуживания. Если пользователь пропускает хотя бы одно обслуживание, то увеличенная гарантия на указанный компонент перестает действовать, и гарантия остается стандартной, как на весь прибор в целом. Перечень профилактических работ, а также примерные сроки прохождения периодического обслуживания, указаны в таблицах 1 и 2.



Рис. 1

**ВНИМАНИЕ!**

Техническое (профилактическое) обслуживание изделия (в т.ч. замена магниевго анода водонагревателя) не входит в гарантийные обязательства изготовителя и продавца и является дополнительной платной услугой.

Для ряда территорий могут действовать исключительные правила гарантии, увеличивающие срок на изделие или компоненты. Такие правила устанавливаются только по распоряжению Производителя официальным письмом Производителя.

**ВНИМАНИЕ!**

Если изделие использовалось в соответствии с его целями применения, установленными Руководством по эксплуатации, в рамках осуществления предпринимательской деятельности, то гарантийный срок изделия составляет 3 (три) месяца с момента продажи изделия или 5 (пять) месяцев с момента производства изделия, если дата продажи не установлена\*. Срок проведения экспертизы и гарантийного ремонта - не более 45 дней с момента приемки дефектного изделия авторизованным сервисным центром Hyundai.

**ВНИМАНИЕ!**

Большинство приборов торговой марки Hyundai требуют профессиональных консультаций со специалистами соответствующей квалификации в процессе подбора, а также при вводе их в эксплуатацию. Производитель рекомендует приобретать приборы Hyundai только у авторизованных им продавцов. В предоставлении дополнительной гарантии может быть отказано, если прибор Hyundai был приобретен у продавцов, указанных в соответствующем разделе на сайте [www.hc-hvac.ru](http://www.hc-hvac.ru), не исполняющих полностью или частично требований производителя к правилам обслуживания покупателей, а также требований производителя к предоставлению стандартных условий приобретения приборов Hyundai.

\* Кроме кондиционеров воздуха, смотри стр. 32

Покупатель информирован о том, что он не вправе требовать возврата или обмена купленного изделия в порядке статьи 25 Закона «О защите прав потребителей» и статьи 502 Гражданского Кодекса РФ в соответствии с п.11 «Перечня непродовольственных товаров надлежащего качества, не подлежащих возврату или обмену на аналогичный товар другого размера, формы, габарита, фасона, расцветки или комплектации» Постановления Правительства РФ от 19.01.1998 г. №55.

Подписывая данных гарантийный талон, Покупатель признает, что он:

1. Проверил заполнение информации на стр. 37
2. Получил Руководство по эксплуатации на изделие на русском языке.
3. Владеет всей необходимой информацией о приобретенном изделии и его потребительских свойствах, характеристиках в соответствии со статьей 10 Закона РФ «О защите прав потребителей».
4. Ознакомлен и полностью согласен с условиями и ограничениями гарантийного обслуживания, а также с условиями установки / подключения / сервисного обслуживания / эксплуатации приобретенного изделия.
5. Не имеет претензий к внешнему виду / комплектности / работоспособности (если прибор проверялся в его присутствии при продаже) приобретенного изделия.

EN

Подпись покупателя (с расшифровкой)

\_\_\_\_\_ / \_\_\_\_\_

Дата

\_\_\_\_\_

## Гарантийный талон



### ВНИМАНИЕ!

Пожалуйста, потребуйте от продавца полностью заполнить гарантийный талон и отрывные талоны.

Заполняется фирмой-продавцом

Изделие	.....
Модель	.....
Серийный номер	.....
Дата продажи	.....
Фирма-продавец	.....
Адрес фирмы-продавца	.....
Телефон фирмы-продавца	.....

**Без подписи покупателя на странице 36 Гарантийный талон является недействительным.**

Заполняется установщиком

### Сведения об установке изделия

Фирма-установщик	.....
Номер сертификата	.....
Дата установки	.....
Мастер	.....

# HYUNDAI

Печать  
фирмы  
-продавца

Заполняется сервисным центром

### «А»

Дата приема  
.....  
Дата выдачи  
.....  
Особые отметки  
.....

Печать  
сервисного  
центра

### «Б»

Дата приема  
.....  
Дата выдачи  
.....  
Особые отметки  
.....

Печать  
сервисного  
центра

### «В»

Дата приема  
.....  
Дата выдачи  
.....  
Особые отметки  
.....

Печать  
сервисного  
центра

### «Г»

Дата приема  
.....  
Дата выдачи  
.....  
Особые отметки  
.....

Печать  
сервисного  
центра

Дата приема  
.....  
Дата выдачи  
.....  
Особые отметки  
.....  
Номер заказа-наряда  
.....  
Проявление дефекта  
.....  
Мастер  
.....  
Код неисправности  
.....  
Заполняется сервисным центром

Печать  
сервисного  
центра

Дата приема  
.....  
Дата выдачи  
.....  
Особые отметки  
.....  
Номер заказа-наряда  
.....  
Проявление дефекта  
.....  
Мастер  
.....  
Код неисправности  
.....  
Заполняется сервисным центром

Печать  
сервисного  
центра

Дата приема  
.....  
Дата выдачи  
.....  
Особые отметки  
.....  
Номер заказа-наряда  
.....  
Проявление дефекта  
.....  
Мастер  
.....  
Код неисправности  
.....  
Заполняется сервисным центром

Печать  
сервисного  
центра

Дата приема  
.....  
Дата выдачи  
.....  
Особые отметки  
.....  
Номер заказа-наряда  
.....  
Проявление дефекта  
.....  
Мастер  
.....  
Код неисправности  
.....  
Заполняется сервисным центром

Печать  
сервисного  
центра

**Профилактическое обслуживание изделия.**

(Заполняется специалистом авторизованного сервисного центра Hyundai)

№№	Дата выполнения работ	Перечень выполненных работ	Наименование СЦ	Ф.И.О. исполнителя, подпись, печать
<hr/>				
<hr/>				
<hr/>				
<hr/>				
<hr/>				
<hr/>				
<hr/>				
<hr/>				
<hr/>				
<hr/>				
<hr/>				
<hr/>				
<hr/>				
<hr/>				
<hr/>				
<hr/>				
<hr/>				
<hr/>				
<hr/>				
<hr/>				
<hr/>				
<hr/>				
<hr/>				
<hr/>				
<hr/>				
<hr/>				

**Отрывной талон «А»**

**HYUNDAI**

Изделие .....  
 Модель .....  
 Серийный номер .....  
 Дата продажи .....  
 Фирма-продавец ..... Печать сервисного центра

Заполняется фирмой-продавцом

**Отрывной талон «Б»**

**HYUNDAI**

Дата приема .....  
 Дата выдачи .....  
 Особые отметки .....  
 Номер заказа-наряда .....  
 Проявление дефекта .....  
 Мастер ..... Печать сервисного центра  
 Код неисправности .....  
 Заполняется фирмой-продавцом

**Отрывной талон «В»**

**HYUNDAI**

Дата приема .....  
 Дата выдачи .....  
 Особые отметки .....  
 Номер заказа-наряда .....  
 Проявление дефекта .....  
 Мастер ..... Печать сервисного центра  
 Код неисправности .....  
 Заполняется фирмой-продавцом

**Отрывной талон «Г»**

**HYUNDAI**

Дата приема .....  
 Дата выдачи .....  
 Особые отметки .....  
 Номер заказа-наряда .....  
 Проявление дефекта .....  
 Мастер ..... Печать сервисного центра  
 Код неисправности .....  
 Заполняется фирмой-продавцом

## Профилактическое обслуживание изделия.

(Заполняется специалистом авторизованного сервисного центра Hyundai)

№№	Дата выполнения работ	Перечень выполненных работ	Наименование СЦ	Ф.И.О. исполнителя, подпись, печать

Electric air conditioner. Split system

HYUNDAI

43.

Страна	Наименование сервисного центра	Код города	Телефон	Фактический адрес, электронный адрес	Примечание
Россия	ООО «Авангард Холго»	(495)	710-71-72, 627-52-85	г. Москва, Ленинградское ш., д. 57, корп.12, 2 этаж service@hc-hvac.ru	Единая сервисно-информационная служба на территории России.
Казахстан				kz.service@hyundai-hvac.com	
Белорусия				by.service@hyundai-hvac.com	



### Вниманию покупателей!

Список сервисных центров Hyundai может быть дополнен или изменен без специального предварительного уведомления. Информация регулярно обновляется на сайте [www.hc-hvac.ru](http://www.hc-hvac.ru), в разделе «Сервис». Также вы всегда можете задать свои вопросы, касающиеся сервисного обслуживания техники Hyundai, позвонив по телефону +7 (495) 627-5285.

Если у вас возникли претензии к работе сервисного центра Hyundai в вашем городе, просьба информировать об этом Генерального сервисного партнера Hyundai по телефону +7 (495) 627-5285 или электронной почте [service@hc-hvac.ru](mailto:service@hc-hvac.ru) своевременно. Также мы будем благодарны, если вы сообщите нам о некорректных данных (адрес, контактный телефон, название и т.п.) сервисного центра Hyundai в вашем городе, указанного в этой специальной информационной вкладке.

Ваши пожелания помогут нам организовать сервисную поддержку техники Hyundai на более высоком уровне. Спасибо за сотрудничество!





**KO** 제품 품질 보증 쿠폰은 해당 지역 디스트리뷰터에 요청하시기 바랍니다.



**EN** Ask distributor of your region for Warranty Coupon of a product.



**ES** Pida la garantía al distribuidor en su país.



**KZ** Бұйымның кепілдік талонын сатылған ел аумағындағы дистрибьютордан сұрастырыңыз.



**BY** Гарантійны талон на выраб запытваць у дыстрыбутара на тэрыторыі краіны продажу.



Series of horizontal dashed lines for writing.



Series of horizontal dashed lines for text entry.

Series of horizontal dashed lines for text entry.



# HYUNDAI

Licensed by Hyundai Corporation, Korea

[www.hyundai-hvac.com](http://www.hyundai-hvac.com)



**EAC CE**